



disano ● GROUP

FOSNOVA

2020 - 2021 PROFESSIONAL



Fosnova S.r.l., located in Rozzano (Milan), boasts decade long expertise in architectural lighting design. Currently, Fosnova's production specializes mostly in fixtures utilising LED. The Fosnova product range offers a variety of solutions to indoor lighting problems, including:

- Downlights and spotlights
- Interior floodlights
- Lamp stand, wall and ceiling mounted fixtures,
- Modular systems,
- Electrified tracks.

Group considers service to the market and continuity in relations with customers as key elements in company policy in which it has continuously invested in Italy and Europe.

Improvements in manufacturing technology, excellent innovation, rigorous controls throughout the entire corporate process system, high product quality control standards, as well as the development of advanced computer systems for lighting design calculations.

The photometric measurements certified by the CSQ mark are entirely conducted in our research laboratories, in compliance with the European Lighting Design Committee's guidelines.



For **Fosnova**, Quality System Certification (CSQ-IQNET) in compliance with UNI EN ISO 9001:2015 standard (production and sale of lighting fixtures and accessories) is an important step towards the improvement of company processes, aimed at achieving customer satisfaction. Please note that the purpose of the EC labelling is to indicate a product's compliance with all applicable standards and to guarantee the right of this product to be marketed directly in all member states of the European Community. The standards to be complied with by lighting fixtures are as follows: 2014/30/UE (EMC : Electromagnetic compatibility) "electromagnetic compatibility" - 2014/35/UE (LVD : LOW VOLTAGE DIRECTIVE) "low voltage electrical materials". For more detailed information, please contact our lighting design support centre/lighting assistance centre.




ITALY **disano** 
 illuminazione

Disano illuminazione S.p.A., founded in 1957, located in Rozzano (Milan), Has a total production area of 15,000 sqm. The factory is located in Dorno (PV) and covers a floor surface of 100,196 sqm. This area includes the logistics department and the automatic warehouse (16,396 sqm), with an overall capacity of 22,500 pallets. "DISANO" is a leading manufacturer of lighting fixtures, covering all the main market areas.

ITALY **fosnova**

Fosnova S.r.l., located in Rozzano (Milan), boasts decade long expertise in architectural lighting design. Currently, Fosnova's production specializes mostly in fixtures utilising LED.

FOSNOVA

iluminación
disano ●

disano ●
ADRIA **iluminazione**

disano ●
FRANCE s.a. **iluminazione**

disano ●
RUSSIA **iluminazione**

disano ●
PORTUGAL **iluminazione**

disano ●
MIDDLE EAST **iluminazione**

disano ●
iluminazione UK

disano ●
INDIA **iluminazione**

disano ●
IRELAND **iluminazione**

disano ●
AFRICA **iluminazione**

disano ●
POLSKA **iluminazione**

disano ●
LATAM **iluminazione**

disano ●
CZECH Rep.
SLOVAKIA **iluminazione**

DISANO GROUP

Is also present in **PORTUGAL, UK, IRELAND, POLAND, CZECH REPUBLIC, SLOVAKIA, SLOVENIA, CROATIA, BOSNIA AND HERZEGOVINA, MONTENEGRO, SERBIA, MIDDLE EAST, RUSSIA, AFRICA, INDIA** and **LATIN AMERICA** with its own technical support and sales offices.

SPAIN **iluminación** disano ●

Spain-based **ILUMINACION Disano s.a.**, established in 1992, is now located in new headquarters situated in Roda de Barà (Tarragona), and is responsible for distributing the Group's products in the Spanish territory. Additionally, Iluminación Fosnova has a productive area of approximately 11,850 sqm totally covered, equipped with advanced systems and highly automated. Iluminación Fosnova's logistics operate on a fully automated area, with an overall capacity of 6360 pallets.

FRANCE **disano** ● FRANCE s.a. **iluminazione**

France-based **Disano FRANCE s.a.**, established in 1993, equipped with a warehouse and customer support offices, is responsible for distributing the Group's products in the French territory.



OUTPUT LUMINOUS FLUX AND POWER

The **luminous flux emitted** by the light source stated by **Disano** in its catalogues may show a tolerance of $\pm 10\%$ with reference to the reported values.

The **W tot** column (except for the emergency versions, of which values are to be provided upon request) indicates the total wattage absorbed by the entire system (LED + driver) and will not exceed 10% of the reported value.

The values reported in the relevant column refer to the luminaire's ambient temperature "**tq**".

* measured according to EN13032-4.

Nominal ambient temperature: tq = maximum ambient temperature around the lighting fixture regarding its nominal performance during the normal operation conditions reported by the manufacturer.



LED and traditional lamps

LEDs have a nominal light output of 150 Lumens and can bring remarkable energy savings compared to conventional sources: Discharge lamps with high colour rendering ($Ra > 60$). They can save up to 30-40% in energy costs. When comparing a LED lighting system with a conventional system we need to take into account the fixture's actual Lm/W ratio rather than the source's initial lumens. The Lm/W ratio of any lighting fixture depends on different factors, such as power loss or power variations due to temperature. In discharge lamps these variations cut by half the initial luminous efficiency (expressed in lumen per watt) of sodium or metal halide sources. The products designed by Fosnova, instead, minimize losses and operate efficiency even with traditional technology. The wavelength of light (colour) is adjusted using semiconductor materials and different production processes.

Unlike lamps emitting a continuous spectrum, **LED lights emit monochromatic light of one particular colour to guarantee the emission.**

Life expectancy

Firstly, it should be noted that LEDs, unlike traditional sources, will not turn off suddenly when their working life ends, but will slowly fade their initial luminous flux until they turn off completely. In fact, LEDs do not break (except for manufacturing damages) but decay gradually and constantly. The decrease of LED flux, normally after 50,000 hrs, is defined by the working life and is represented by the L80 mark (see charts), which means that the flux is kept up to 80% after 50,000 hrs.

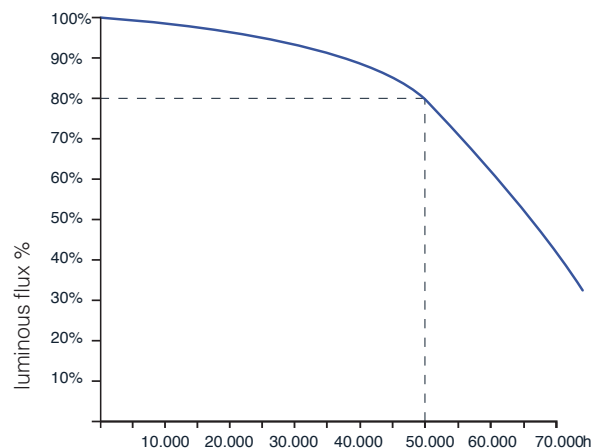
The "B" letter followed by a number ranging between 10 and 50 indicates the quality of the fixture and defines the LED percentage that doesn't keep the declared characteristics when it reaches 50,000 working hours. EXAMPLE: LED declared L80/B10 = 50,000 hrs

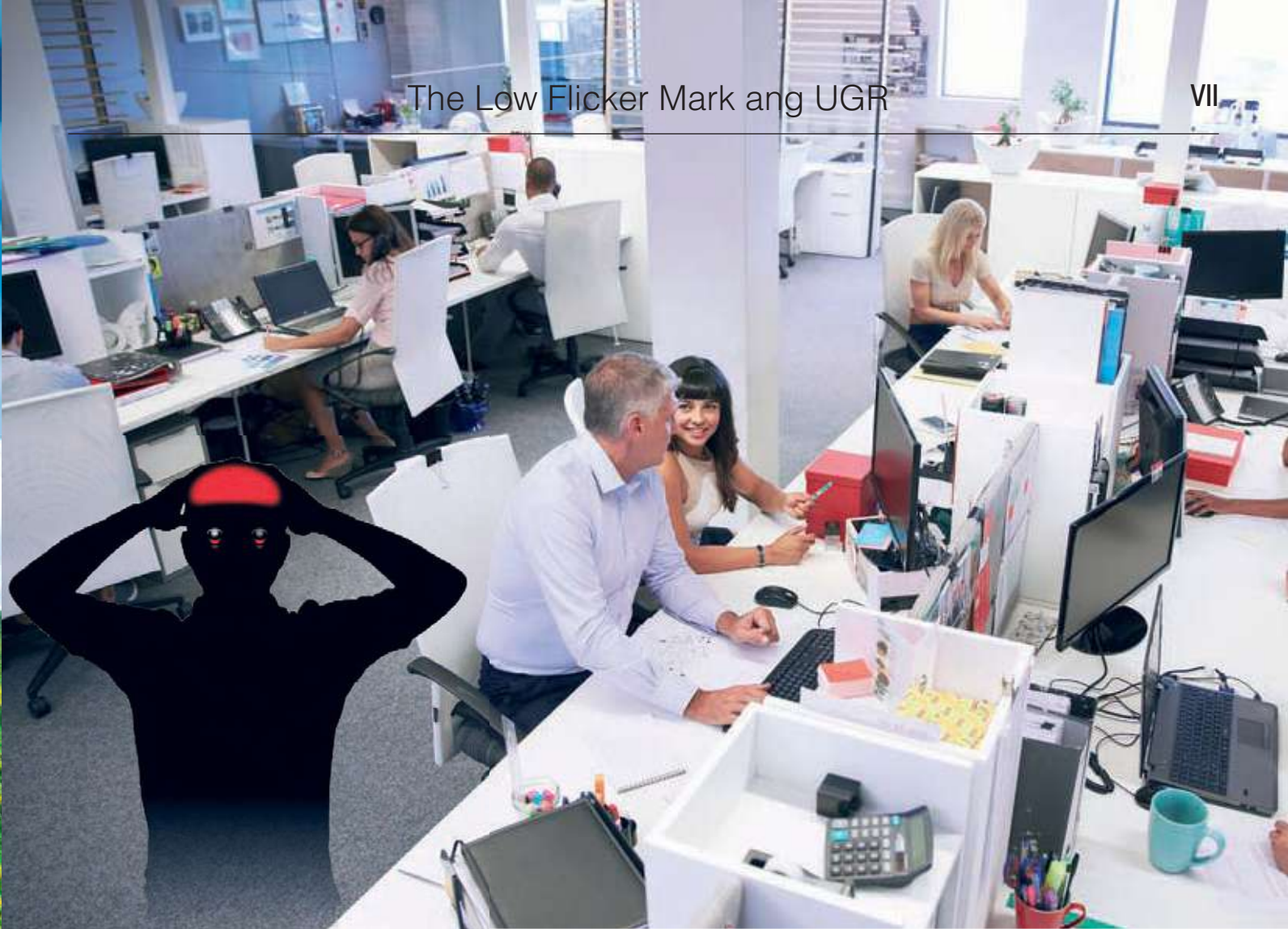
This means that when the LED reaches 50,000 hours of operation, 90% (B10) of the LED will have a luminous flux corresponding to 80% of the initial flux (L80)

The influence of heat

Excessive temperature affects the correct functioning of LED lights and reduces their working life. The values concerning lamp life are regarded as reliable after determining the effect of heat on LED sources. In fact, overheated LEDs are more likely to be affected by malfunction and have a shorter life cycle. Therefore, for LEDs to operate properly, guarantee long life (e.g. 50,000 hrs) and a natural degradation of the luminous flux (e.g. L70), they must be designed to evenly dissipate the heat they produce. The nominal performance of LEDs is respected only if their working temperature is not exceeded (T_j). **Fosnova is a competent and responsible company that takes these factors into account and measures real values.**

Thermal Resistance (C/W): it indicates the difficulty of LED lights to expel heat, which causes the light sources to deteriorate. TR should be very low to guarantee energy efficiency and durability (LM70). A range of products characterized by even lower values will be launched shortly to guarantee improved light levels and longer working life (at present, a minimum of 50,000 hours in certain conditions).





Do you want to avoid headaches or eye strain?

Choose fixtures with glare control (**UGR<19 or UGR<16**) and a good colour rendering (CRI 90) for safe and comfortable lighting levels. Our mind perceives light oscillations at up to 200 Hz. A long-term exposure to high frequencies (between 70 and 160 Hz) can cause discomfort, headaches, visual fatigue and impaired visual performance.



The Low Flicker Mark (LF)

Flicker is the visible flickering effect produced by LED fixtures. It can occur at frequencies below 60 Hz and depends on several factors, such as the ripple of the direct current output of a power supply. By using a quality LED driver, either under bright or soft lighting, flicker can become almost unperceivable.

Apart from people's health, a good flickering index is also very important for ensuring safe lighting environments. Installing low flickering lighting fixtures near TV cameras, today very common both indoors and outdoors, you can obtain better images.

The level of flicker that can be perceived or that is acceptable to human eye may vary. In the presence of a high level of flicker, especially based on perception, optical flicker can generate distress among users and cause a lighting system to be unacceptable from the quality point of view. At present there is no test or verification that can help identify low-flicker optical products.

Fosnova illuminazione can now offer products with proper quality values and be certified with the Low Flicker Mark, allowing easy identification. The Verified Mark is identified with the "Low Flicker" logo that includes a maximum flicker value of 8% at 50 Hz and the 10% at 60 Hz.

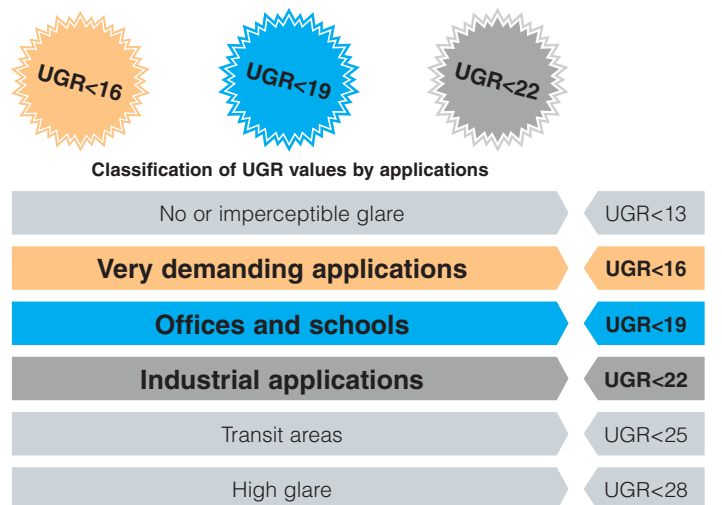
"low" does not mean "without", but rather "very low".

UGR

The UGR (unified glare rating) is an international unified measure developed by the CIE (Commission International de l'Eclairage) to assess the direct glare generated by a lighting system.

The European standard regulating the lighting of indoor work places (**UNI-EN 12464-1**) recommends a specific UGR value for different applications ranging between **10 and 30; the lower the UGR value, the lower the glare.**

The exact value of this index differs by project type because it depends on the position of the luminaires, room characteristics (dimensions, reflections) and on the point of observation of viewers.





Light control, visual comfort and high energy efficiency are the main requirements of modern control systems. Today, lighting systems must be designed to be easy to install and ensure maximum management flexibility.

Whether it is for indoor areas, public or private offices, commercial or industrial spaces, Fosnova offers a wide range of presence/lighting sensors or motion detectors for any type of lighting project. Our lighting control solutions are simple to install, easy to use and are designed to increase energy savings, visual comfort and safety.

INDOOR LIGHTING SOLUTIONS

BASIC SOLUTION

PLUG & PLAY systems with on-board sensors:

The lighting fixture is equipped with a sensor (internal or external)

- "PLUG&PLAY" no installation difference with a non-dimmable product
- The installer and the user do not require specific skills because the lighting fixture is configured to change lighting levels automatically
- No additional cabling
- No centralized controls
- No programming and commissioning from specialized technicians
- No remote communication
- Solution with built-in sensors
- Sensors attached to the lighting body and visible
- Programming via app or remote control of sensors or trimmers

MEDIUM SOLUTION

CABLED solutions for DALI dimmable fixtures:

- The lighting fixture is equipped with a DALI PUSH DIM LED driver
- Simple additional cabling and possibility to use a standard NA switch

ADVANCED SOLUTION

High-tech WIRELESS solutions to be managed via app:

- System equipped with smart sensors with high level of automation
- Easy-to-use app and software that do not require skills from specialists (e.g. DALI commissioning or software engineer)
- Built-in or external sensors and, if requested, additional cabling that does not require complex circuitry

SMART - IoT SOLUTION

COMPLEX solutions requiring lighting management hardware and software:

SMART solution:

- Wired and wireless solutions
- System with all fixtures and sensors are managed with the BUS link (or over the air) with the possibility of a limited, but extremely simple, management
- Possibility to configure via app/smartphone/tablet
- Suitable for medium-small systems
- Variable complexity, including situations that may require the intervention of specialized workers (e.g. commissioning)
- Scalable

IoT solution:

- Device complete with smart technology and hardware infrastructure with software for remote control

BASIC SOLUTION (INDOOR)

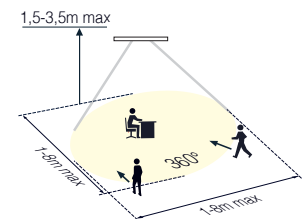
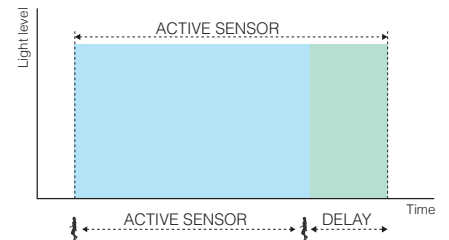
Presence and light sensors (ON/OFF) - integrated

RADAR SENSOR ON/OFF

Motion detectors have a wide **DETECTION** range and react to **MOVEMENT**. The sensor **IMMEDIATELY SWITCHES ON** the connected device whenever it senses movement within its scan area, automatically distinguishing between **NIGHT** and **DAY**.

The Fosnova products equipped with RADAR SENSOR must be ordered with subcode -19. The BASIC – PLUG & PLAY solutions do not require additional cabling and special skills to be mounted.

RADAR SENSOR ON/OFF - TECHNICAL SPECIFICATIONS			
Power source	220-240V AC - 50/60 Hz	Installing height	ceiling: 1,5-3,5 m
High frequency	5,8GHz CW Radar, ISM band - 0,2 - <10 mW	Rated Load	1200 W (resistive) 300 W (inductive)
Detection area	ceiling: 360°	Power consumption	<0,9 W
Detection distance (adjustable)	ceiling: Ø 1-8 m	Hold time (choice)	min: 10sec (± 3 sec.) max: 12min (± 1 min.)
Detection motion speed	0,6-1-1,5 m/s	Ambient light (choice)	<3-2000 Lux



FEATURES

- High-frequency motion detector for invisible light switching, especially suited for use in lighting fixtures.
- Detection range, twilight value and additional activation time may be set with a potentiometer.
- HF technology: it reacts to very small movements, regardless of temperature; it also sees through walls.
- Extremely short activation time.
- Light only when needed.



BASIC SOLUTION (INDOOR)

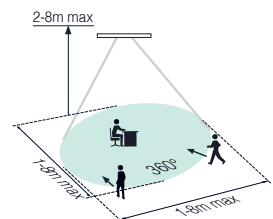
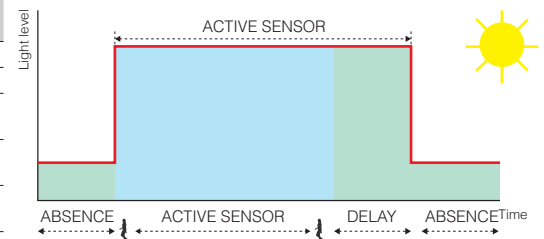
Presence and light sensors (DIMM 1/10V) - integrated

RADAR SENSOR DIMM 1/10V

Motion detectors have a wide **DETECTION** range and react to **MOVEMENT**. The sensor **IMMEDIATELY SWITCHES ON** the connected device whenever it senses movement within its scan area, automatically distinguishing between **NIGHT** and **DAY**.

The Fosnova products equipped with RADAR SENSOR must be ordered with subcode -1219. The BASIC – PLUG & PLAY solutions do not require additional cabling and special skills to be mounted.

RADAR SENSOR DIMM 1/10V - TECHNICAL SPECIFICATIONS			
Power source	220-240V AC - 50/60 Hz	Rated Load	600 W
		Power consumption	<0,9 W
High frequency	5,8GHz CW Radar, ISM band - 0,2 - <10 mW	Installing height	ceiling: 2-8m
Detection area	ceiling: 360°	Ambient light (choice)	2-10-50-2000 Lux
Detection distance (adjustable)	ceiling: Ø 1-8 m	Hold time (choice)	min: 5sec (± 3 sec.) max: 30min (± 1 min.)
Detection motion speed	0,6-1-1,5 m/s	Stand-by period (choice)	10s, 1min, 5min, 10min, 30min, 1H, +∞,0s
Detection range (choice)	10%-50%-75%-100%	Stand-by DIMM level (choice)	10%-20%-30%-50%



FEATURES

- High-frequency motion detector with dimmer for invisible light switching.
- Dimmable ballast with 1/10V interface.
- Detection range, twilight value and additional activation time may be set with a potentiometer.
- HF technology: 5.8GHz, it reacts to very small movements, regardless of temperature; it also sees through walls.

MEDIUM SOLUTION (INDOOR)

PushDIM (or switchDIM): light control via N.O. pushbutton

Main features:

- The lighting fixture is equipped with a dimmable LED driver DALI with PUSH function (*Note: not all LED DALI drivers on the market have this function*). With a particular connection between the driver and the DALI inlet you can enable functions such as power on/power off/dimming.
- The length of the cable and the number of fixtures that can be connected are virtually endless, but in practice, there is asynchrony in the reply to the power ON and dimming command over distances above 25 metres and if many LED drivers are installed. As a consequence, this type of dimming is recommended in installations such as small offices, small meeting rooms, and generally, where cables are shorter.

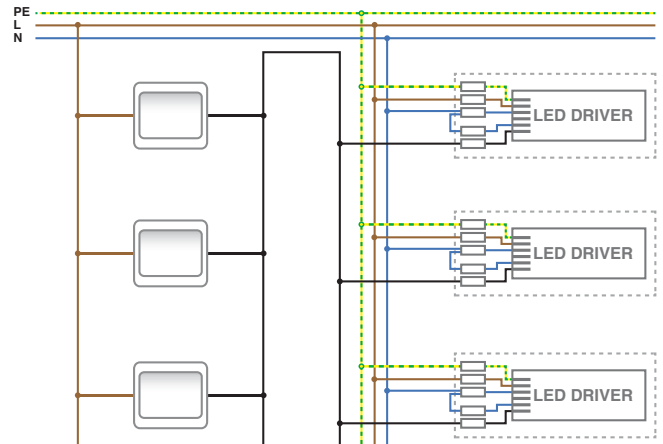
as small offices, small meeting rooms, and generally, where cables are shorter.

The Fosnova products equipped with PushDIM driver must be ordered with subcode -1245. These solutions require simple additional cabling and can be used with standard N.O. switch.



Possible operations:

- Lights are powered on and off with a slight pressure of the button
- Lights are dimmed from off to 100% by holding the button down
- The dimming system is unidirectional, the information flows in one direction only, from the dimmer to the LED driver



SYNCHRONISATION

When installing a new system or replacing a dimmer on an existing system, you may notice that not all dimmers are synchronized between each other. During operation, some dimmers may be turned off while others are on and their dimming level may vary. If you press the switch for more than 10 seconds you will synchronize all dimmers to 50% of luminosity allowing them to start dimming from the same lighting level. This can be done during normal operation anytime you notice that one of the dimmers is not synchronized.



To automatically synchronize all the lights in a system, use the electronic synchronization device: control unit with in-built DALI dimmer and manual switching of DALI fixtures with all standard buttons.

Main features

- Possibility to connect up to four parallel devices to setup multiple control points
- Automatic synchronization of control points
- Length of DALI cable: up to 300 m

Advantages

- Manual and intuitive dimming and switching
- Individual setting of minimum light level
- Suited for a maximum of 25 electronic drivers

Simple installation in standard enclosure

Only one component is required to control the entire lighting system. After connecting it to the mains and to the dedicated cables, the DALI unit is housed inside an enclosure and connected to the ready button.



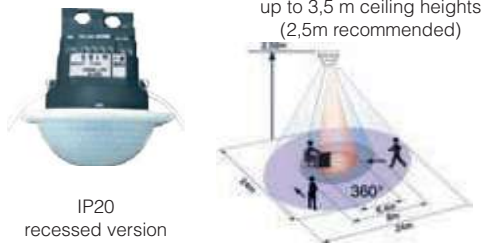
**MEDIUM SOLUTION
(INDOOR)**

DIMM DALI PRESENCE AND LIGHT SENSORS - NOT INTEGRATED

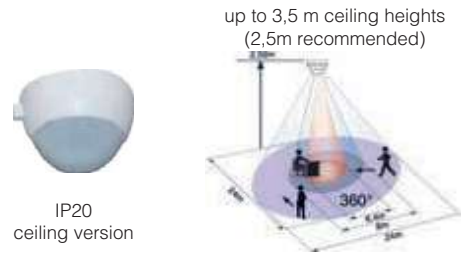
The presence detector adjusts the lights to a preset lighting value based on the people occupying a room and the amount of light at that moment. The integrated lighting sensor constantly measures the level of luminosity in the room and compares this value with the value set by the presence detector.

The DALI versions of Fosnova's products can be used with the PRESENCE detector by ordering with subcode -1241.

MASTER DALI



acc. MASTER DIMM DALI - recessed
Presence detector for large areas DIMM DALI.



acc. MASTER DIMM DALI - ceiling
Presence detector for large areas DIMM DALI. IP54 version with connection.

- Presence detector for **large scan areas** to adjust electrical lights based on the available daylight
- DALI interface for digital dimmable control as a group
- Possibility to switch from DALI with a remote control
- Enlargement of scan area with Slave units
- Possibility to activate lights manually through the touch of a button
- Further functions can be set with optional remote control

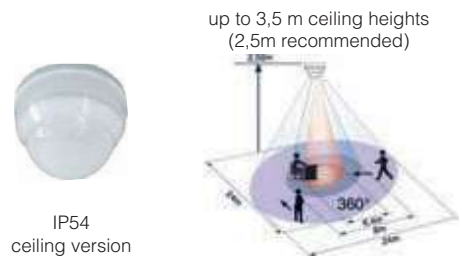
TECHNICAL SPECIFICATIONS FOR MASTER DALI

Mains voltage	110-240 V AC , 50 / 60 Hz
Power consumption	0,9 W
IP degree	recessed = IP20 - ceiling = IP20 / Class II
DALI	max. 50 electronic ballast
Brightness	10 - 2000 Lux
Ambient temperature	from -25 °C to +50 °C
Channels	Channel 1
Time setting	1 - 30 min

SLAVE DALI



acc. SLAVE DIMM DALI - recessed
Presence detector for large areas DIMM DALI.



acc. SLAVE DIMM DALI - ceiling
Presence detector for large areas DIMM DALI. IP65 version with connection.

- **To enlarge the scan area of a Master device;**
- Activation of the Master device if motion is detected regardless of the room's lighting

TECHNICAL SPECIFICATIONS FOR SLAVE DALI

Mains voltage	110-240 V AC , 50 / 60 Hz
Power consumption	0,2 W
Detection area	vertical: 360°
IP degree	recessed = IP20 - ceiling = IP54 / Class II
Ambient temperature	from -25 °C to +50 °C
Impulse response	2 sec or 9 sec

Accessories available on request for MASTER DALI



Accessories available on request for SLAVE DALI



ADVANCED SOLUTION (INDOOR)

BASICDIM WIRELESS SYSTEM

The wireless lighting management system is made up of the LED module inside the lighting system, the 24V constant voltage driver or DALI and one of the basicDIM Wireless modules. The command profiles are saved at the factory. The lighting can be controlled via 4remote BT app or user interface. The Bluetooth connection allows controlling, in an easy and practical way, up to 250 light points, turning them on, off, dimming their intensity, grouping fixtures and creating lighting scenes. The **basicDIM Wireless**, is the ideal solution to make the lighting more modern without construction work. The usage area is substantially unlimited.

Advantages for lighting manufacturers:

- Easy configuration
- Definition of the properties for the lighting fixtures
- Wireless assignment of the properties to lighting fixtures

Advantages for the commissioning technician:

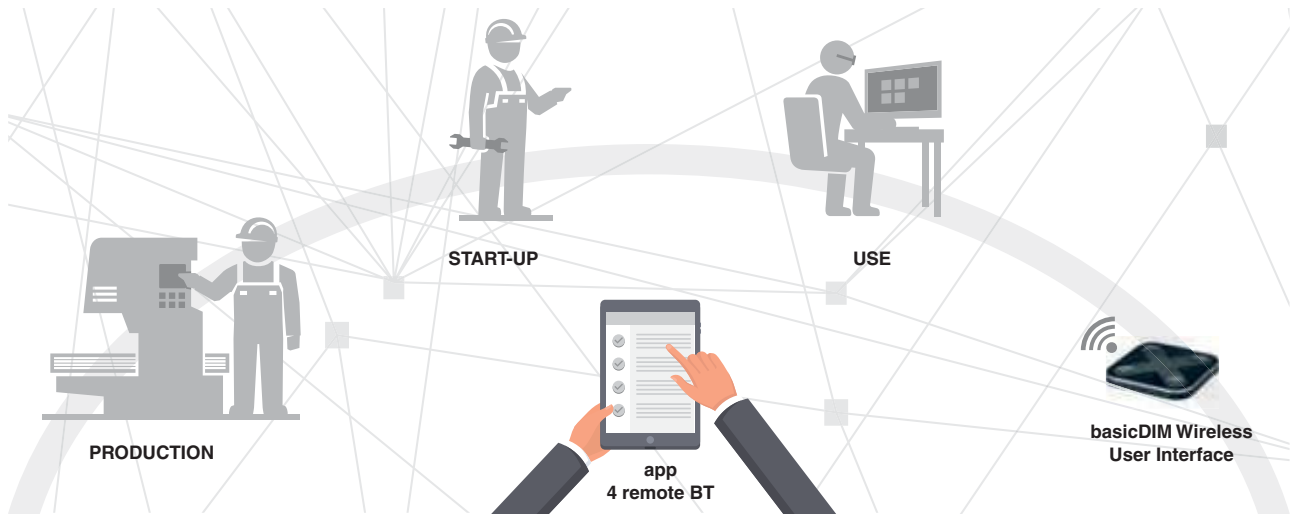
- Starting, programming and control of lighting fixtures in an easy way thanks to the app
- Easy location and wireless assignment of lighting fixtures
- Easy system adjustment

Advantages for the building operator:

- Easy updating
- Reduction of energy consumption
- Possibility of multifunctional use of rooms
- Wireless adjustment of the individual lights

Advantages for the user:

- Individual functioning of the individual lighting fixture
- Easy graphical selection of the lighting fixture
- Intuitive selection of light tone and brightness



Options for use



Settings selection

Rapid access to the settings saved and adjustments based on the use expected for the room



Colour temperature adjustment

Individual adjustment of the light tone based on the lighting fixtures used



Dimming option

from 1% to 100%



Presence detection

Basic lighting according to requirements through the integration of sensors



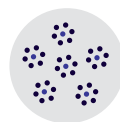
Planning

Support for planning tasks thanks to internal clocks and calendars



Personalization

Adjustments to adapt to the changing usage requirements or to expand the system



System with group circuits

Control of individual fixtures and groups of fixtures that can be adjusted at any time based on usage requirements through the 4remote BT app. Easy to expand thanks to wireless installation.

ADVANCED SOLUTION (INDOOR)

Modules for basicDIM wireless system - for indoor applications

System architecture

The system is made up of hardware and software modules. Communication with fixtures and sensors occurs via radio frequency (wireless) solutions.

basicDIM Wireless Module



The basicDIM Wireless module allows convenient, wireless interaction with luminaires, including configuration as well as commissioning and actual use. Easy control via Bluetooth is already visible on the compact user interface. The lighting control system can also be operated via the 4remote BT App.

- Wireless command with Android/iOS devices
- Automatically creates a wireless communication network with max. 127 nodes
- Possibility to configure analogue/digital output
- Analogue output: 0 – 10 V / 1 – 10 V decreasing/increasing
- Digital output: DALI compatible

FEATURES:

- Power Voltage: 220/240 V
- Frequency: 50/60 Hz
- Maximum Radio Receiver Output Power: +4 Dbm
- Ambient Temperature: -20 ÷ +50 °C
- Protection Class: IP20

basicDIM Wireless radio sensor



The basicDIM Wireless Sensor offers daylight-dependent lighting control and presence detection. It has been designed for the following principal applications: open-plan offices, training / presentation rooms, corridors, passageways and garages

- Command based on surrounding luminosity and presence
- Wireless control with Android/iOS devices
- Passive IR sensor technology
- Including shutter to optimize sensor scanning range



Accessory for radio sensor ceiling connection

FEATURES:

- Power voltage: 220/240 V
- Frequency: 50/60 Hz
- Mounting height: max. 4 m
- Scan range (mounting height: 3 m): ø 8 m
- Detection angle: 53°
- Lighting measurement on the head of the sensor: 1 – 2000 lx (± 20 %)
- Radio receiver operating frequency: 2.4 – 2.483 GHz
- Ambient temperature: 0 ÷ +50 °C
- Protection class: IP20

basicDIM Wireless vUser Interface



basicDIM Wireless User Interface is a wireless user interface that brings huge flexibility to interior design as furniture can be replaced or even walls can be rebuilt without having to take wiring of switches or switch placement into account.

- Control of all basicDIM Wireless devices
 - Control of colour temperature
- Pre-set buttons:
- Control of individual lighting fixture / Control of groups of lighting fixtures / Control of all lamps
 - Saving of light scenes / Savings of animations
- Multi-use button:
- Variation of colour temperature with 25 Kelvin increases
 - Change of indirect/direct ratio

FEATURES:

- Radio receiver operating frequency: 2.4 – 2.483 GHz
- Max. radio receiver output power: +4 dBm
- Radio signal capacity: up to 60 m
- Ambient temperature: 0 ÷ +45 °C
- Protection class: IP20

4remote BT app



The free app comes with a wireless basicDIM solution in all the development phases. Every operation can be done with an extraordinary comfort in an easy and quick way, starting from the installation and commissioning processes of the lighting fixtures to their daily use.

To be able to control basicDIM Wireless enabled luminaires, they must be integrated (paired) into a network. This is done via the 4remote BT-App.

All settings are stored in the network, for example, names, pictures, groups, timers, scenes and switch settings. If a unit is removed (unpaired) from a network, it will no longer have the network specific settings. If a basicDIM Wireless unit is not part of any network, 4remote BT App will automatically display a pop-up window to add the unit to a network. The functionality of the devices can be selected through profiles which can be selected if a device is in an unpaired state.

FEATURES

- On and off of fixtures individually or in group
- Adjustment of the intensity of fixtures individually or in group
- Adjustment of lighting tone and colour
- Starting, programming and control of lighting fixtures
- Location, addressing and assigning of lighting fixtures



The LED lamp can work with a voltage input range that may vary by ± 10% from the indicated value

EXAMPLE: LED GU10 SMD 6W		
Input voltage		
AC100-240 V	±10% ↔	AC90-265 V

In the FOSNOVA catalogue, there are some items, generally the more recent ones, that have two numbers (a subcode) at the end of the classical 6-digit code. These subcodes indicate the product type of wiring. Therefore, it is very important when making an order to write the complete FOSNOVA code, including the subcode, which carries the following meaning:



Fixture built with recyclable materials (excluding lamps and batteries).



baffle film protection



The unit is supplied with lampholder only



Energy saving fixtures.



With conveyor



Electronic power supply with 230/240V - 50/60Hz + LED



Electronic power supply.



Size of round hole for recessed installation



Electronic power supply with 230/240V - 50/60Hz + fuse



Lighting fixtures wired with dimming electronic power supply.



Size of hole for recessed installation



Electronic power supply with 230/240V - 50/60Hz+ emergency kit



Lighting fixtures equipped with digital dimmable electronic power supply.



Mains voltage 230V operated with transformer.



Electronic power supply with 230/240V - 50/60Hz + LED + fuse



Lighting fixtures equipped with electronic power supply and emergency kit (SA).



Extra wide beam



Electronic power supply with 230/240V - 50/60Hz + fuse + emergency kit



UV-stabilised coating, anti-yellowing. Fixture built with stabilised materials.



Wide beam



Electronic power supply with 230/240V - 50/60Hz + LED + fuse + emergency kit



Maximum track lead 32A load



Medium beam



Electronic digital dimmable power supply with 230/240V - 50/60Hz (DALI)



Maximum track lead 16A load



Narrow beam



Electronic digital dimmable power supply with 230/240V - 50/60Hz (DALI) + emergency lighting



Aiming on horizontal axis at 0°



Asymmetric beam



Electronic digital dimmable power supply with 230/240V - 50/60Hz (DALI) + LED



Aiming on vertical axis at 0°



Both direct and indirect light



Electronic digital dimmable power supply with 230/240V - 50/60Hz (DALI) + fuse



Coloured or specific filter installation possibility.



Fixtures to be installed to the wall or ceiling only with a base.



Electronic digital dimmable power supply with 230/240V - 50/60Hz (DALI) + LED and fuse



LED FULLCOLOR



Fixtures to be installed on track to the wall, ceiling or suspension.



Fixtures to be installed to the wall, ceiling or suspension.



Presence and light sensor: an automatic, easy-to-use, safe and practical sensor. a completely new energy-saving device, equipped with a high level of sensitivity.

- 00= basic article
- 05= article supplied with Crisp Colour LED
- 07= article supplied with emergency unit
- 08= article supplied with electronic gear
- 09= article supplied with electronic+emergency gear
- 12= article supplied with DIMM wiring
- 19= article supplied with presence and light sensor
- 31= article supplied with 3-hour emergency unit
- 39= article with 3000K

- 68= article with 4000K
- 88= article complete with body for recessed mounting in plasterboard false ceilings
- 0072= special version for continuous line applications
- 0092= article with built-in multi-sensor
- 0928= article with 3000K 1-hour emergency unit
- 1213= article with 4000k dimmable unit
- 1228= article with 3000K dimmable unit
- 1241= article supplied with DIMMable DIGital DALI unit

- 3113= article supplied with 4000K 3-hour emergency unit
- 3941= article 3000K Dimm DALI unit
- 3957= article with 3000K 3-hour emergency unit
- 6809= article with 4000K 1-hour emergency unit
- 6841= article with 4000K Dimm DALI unit



HEALTHCARE ENVIRONMENTS:
nursing rooms, operating rooms, clinics, first aids, wards, aseptic rooms UNI EN 12464



SCHOOLS:
classrooms, lecture rooms, laboratories, meeting rooms
UNI EN 12464



OPEN SPACES:
Offices, large areas, public areas, waiting rooms
UNI EN 12464



ART AND CULTURE: Cinemas, theatres, museums, galleries, churches, libraries, auditoriums, monuments UNI EN 12464



COMMON AREAS:
corridors, stairs, lifts
UNI EN 12464



COMMERCIAL CENTRES:
Shops, show rooms, shop windows, supermarkets, airports.
UNI EN 12464



MALLS: General shops, goods displays, shop windows, supermarkets, airports, shop facades
UNI EN 12464



GENERAL ROOMS:
Home, hotels, sleeping rooms, bars, restaurants, canteens
UNI EN 12464



LARGE-SCALE DISTRIBUTION: Shopping centres, supermarkets, hypermarkets



SPORT HALLS, GYMNASIUMS



RELIGIOUS PLACES



BOATS, YACHT and BOAT BUSINESS



HOTEL



SWIMMING POOLS



OFFICES
single office, meeting rooms, telephone exchange rooms, offices with VDU terminals (time spent in front of the screen: less than 3 hours totally) Optics + UNI EN 12464



OFFICES WITH VDU TERMINALS
Drafting and designing rooms, meeting rooms, banks, offices with VDU terminals (time spent in front of the screen: 3 to 6 hours) - Optics + UNI EN 12464



OFFICES WITH VDU TERMINALS
Time spent in front of the screen: more than 6 hours continually - Optics + UNI EN 12464

International Protection

The IP prefix followed by two figures indicates the level of resistance of the fixture to penetration by solids and liquids. Protection rating (published in EN60529)

- 1*figure: penetration by solid particles and contact with live parts
- 2*figure: penetration by liquids
- 3*figure: mechanical resist IK.



Protection against solid bodies Ø >12 mm only



Protection against solid bodies and rain



Protection against solid bodies Ø > 1 mm only



Protection against solid bodies Ø > 1 mm and rain



Protection against solid bodies Ø > 1 mm and water sprays



Protection against dust and water sprays



Protection against dust and water jets



Dust and water tight



WATERPROOF FIXTURES

Polycarbonate fixtures are IP65/66 water-resistant if installed at temperatures not exceeding 45°C. Direct exposure to sunlight can easily cause the temperature to exceed 45°C, which affects the degree of protection. However, it is recommended that these fixtures are used properly without altering their mechanical and protection properties (IP65/66); **they should not be installed on surfaces subject to strong vibrations, outdoors on ropes or stakes**; whenever this is necessary, waterproof steel fixtures should be used.



Risk Group 0 (RG0): luminaires are exempt from photobiological risks in compliance with standard EN 62471. If necessary, contact our customer service for the observation distance.



Risk Group 1 (low risk group): luminaires do not pose any risks due to normal behavioural limitations of a person when exposed to a light source.



Risk Group 2 (intermediate risk group): luminaires do not pose any risks due to people's aversion response to very bright light sources or due to thermal discomfort.



The UGR (unified glare rating) is an international unified measure developed by the CIE to assess the direct glare generated by a lighting system. The European standard regulating the lighting of indoor work places (UNI-EN 12464-1) recommends a specific UGR value for different applications ranging between **10 and 30; the lower the UGR value, the lower the glare.**



Indicates that a product can freely circulate within the European Coméquipé ty. It certifies that the product complies with essential safety regulations. All Fosnova products comply with the "electromagnetic compatibility" (2014/30/UE) and with the "low-voltage electrical materials" (2014/35/UE) standards.



The product has been granted the ENEC European certificate of conformity which replaces all national **regulations in the EEC**, according to EN60598 European standards



ENEC European Certificate of Conformity: PENDING APPROVAL



I.M.Q. approval for wired fixture. All fixtures comply with **CEI Italian** safety standards corresponding to EN60598 European standards.



Class II fixture (double insulation). No grounding needed.



Class II fixture (double insulation). No grounding needed.



V0: the test piece extinguishes within 5 sec. without dropping V2: the test piece extinguishes within 25 sec. (dropping allowed)



LED Life expectancy
The decrease of LED flux is defined by the working life and is represented by the "L" mark (for example L70 which means that the flux is kept up to 70%). The "B" followed by a number ranging between 10 and 50 indicates the quality of the fixture and defines the LED percentage that doesn't keep the declared characteristics.



Low Flicker: product with a very low flicker; uniform light for greater eye protection.



The Colour Rendering Index (CRI) indicates how truthfully the artificial light source is able to reproduce the colours of objects. It varies from a range of **0 to 100**, where **0 represents the minimum and 100 is the maximum.**



LED: high-efficiency light **LED VIVID** sources (CRI>95). The LED series was designed with a new technology that ensures uniform colour saturation. This is why these lamps are particularly suited in settings where reflections, transparencies, good colour and white quality are very important.

TRACKSPOT p. 2

TRACKS p. 38

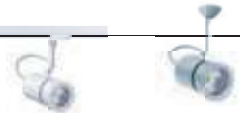
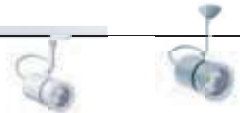
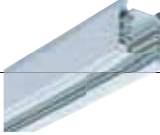
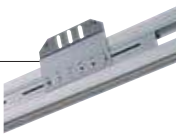
*RECESSED
DOWLIGHTERS* p. 52

LED PANELS p. 126

*LINEAR
SYSTEMS* p. 144

*DECORATIVE
LUMINAIRES* p. 196



*Trackspot and track*Krypton  p. 4Fashion  p. 8Asso  p. 18Vision 2.0  p. 26Matrix Q  p. 32Omnitrack PLUS - DIMM  p. 38Omnitrack 3 circuit track  p. 42Omnitrack double track  p. 50Omnitrack recessed  p. 51



turbó
IT'S YOU, ONLY FASTER

Krypton LED is Fosnova's new completely adjustable track-mounted spotlight equipped with a universal adapter: it is the perfect product for a tailor made lighting system that can enhance any setting.

Equipped with a reflector in efficient high-gloss aluminium, it comes with latest generation LEDs they guarantee long lamp life (50000 hours) and excellent flux maintenance.

The new LED spotlights enable designers to create even more sophisticated and especially low energy lighting systems.

Housing: in die-cast aluminium.

Reflector: in die-cast polished aluminium, high efficiency and anti-glare.

Coating: UV-resistant polyester epoxy powder coating.

Equipment: adjustable around its vertical axis from 0° to 355°

Standard: manufactured pursuant to EN 60598-1-CEI 34.21 and with a degree of protection pursuant to EN 60529.

LED: high-efficiency light sources (CRI>95).

Luminous flux maintenance 80%: **50.000 h (L80B20)**.

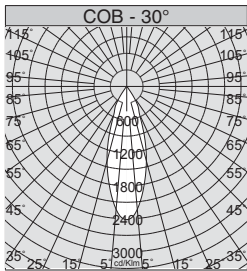
Power factor >0.9.

Photobiological safety class: exempt group.



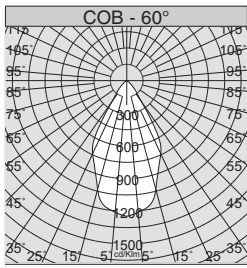
The right lighting and fixture play a vital role in facilitating sales. This is the reason why LED fixtures with a **CRI-90** are being requested. Therefore, the current trend is geared towards the manufacturing of more flexible fixtures, which also emit an excellent quality of light, while guaranteeing remarkable energy savings and lower maintenance costs.

The Colour Rendering Index (**CRI**) indicates how truthfully the artificial light source is able to reproduce the colours of objects. It varies from a range of **0 to 100**, where **0 represents the minimum** and **100 is the maximum**. Daylight is the best source of light from a physiological point of view because it contains the full colour spectrum. Therefore, a lamp with a high colour rendering index is very important to ensure the wellbeing and comfort of the occupants of a room and it is absolutely necessary in rooms where good visibility is required.



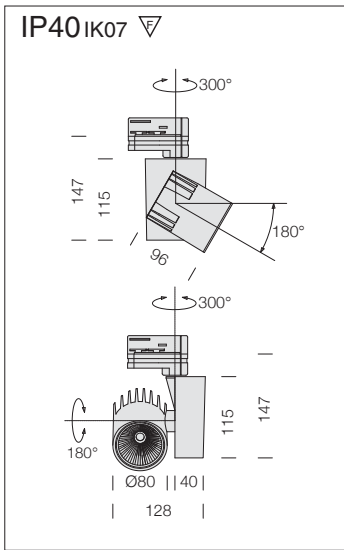
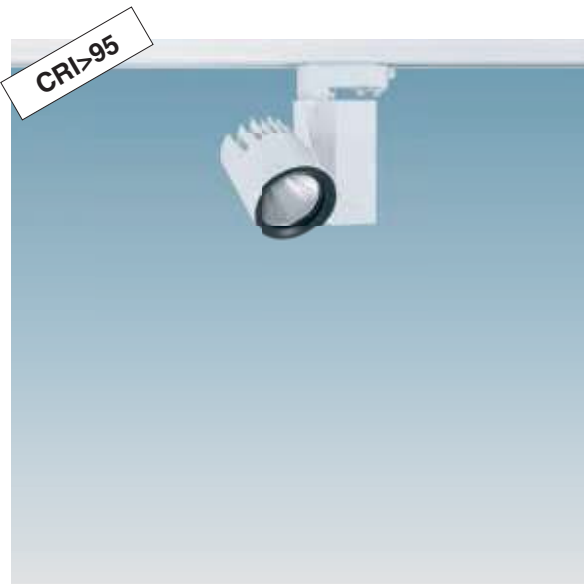
50.000 h (L80B20)

LED VIVID



LED VIVID

On request: 60° beam angle



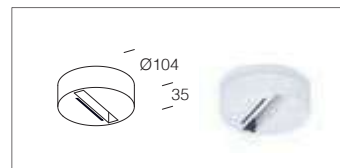
Krypton 1

		CLD CELL		CLD CELLD-DIG (DALI)		LUMEN OUTPUT (tq= 25 °C)	
LED	colour	weight	code	weight	code	W tot	K - ølm 700mA - CRI - degrees
COB	white	1,10	22104010-00	1,10	22104010-1241	27	3000K - 2132lm - CRI>95 - 30°
	black		22104030-00		22104030-1241		
COB	white	1,10	22104011-00	1,10	22104011-1241	27	4000K - 2245lm - CRI>95 - 30°
	black		22104031-00		22104031-1241		

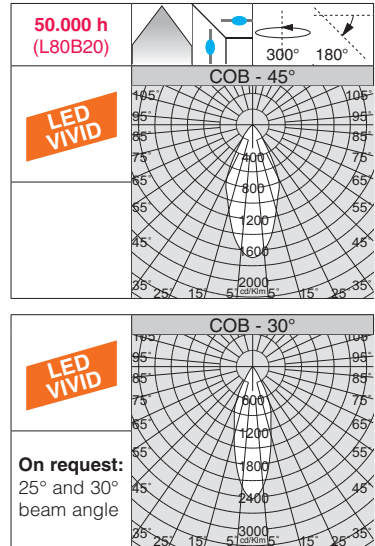
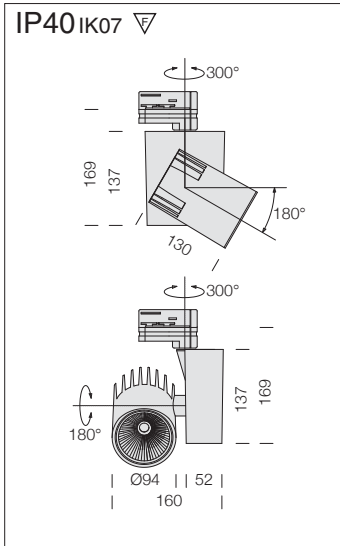


Acc. recessed	
white	22091610-00
black	22091630-00

To be used with acc. base for universal adapter and DIM DALI adapter; for recessed or suspended spotlights without using the track.

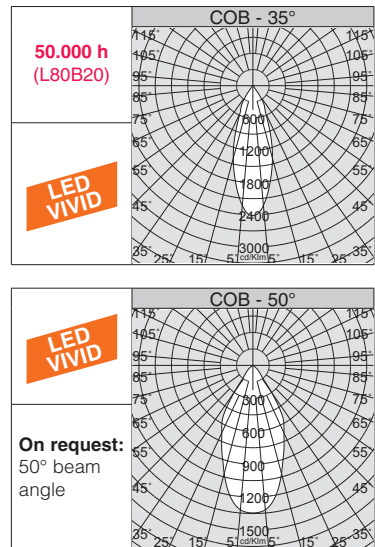
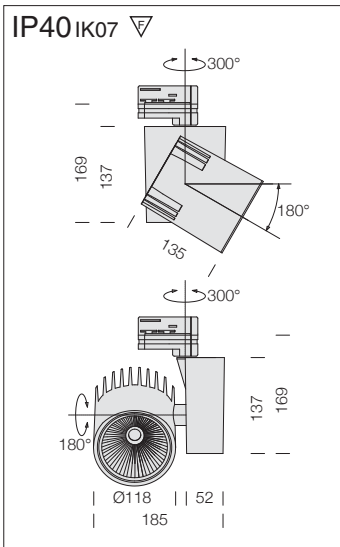


Acc. base for universal and DIMM DALI adapter	
white	22092610-00
black	22092630-00



Krypton 2

LED	colour	CLD CELL		CLD CELLD-DIG (DALI)		W tot	LUMEN OUTPUT (tq= 25 °C)
		weight	code	weight	code		K - ølm 900mA - CRI - degrees
COB	white	1,10	22104110-00	1,10	22104110-1241	34	3000K - 2584lm - CRI>95 - 45°
	black		22104130-00		22104130-1241		
COB	white	1,10	22104111-00	1,10	22104111-1241	34	4000K - 2713lm - CRI>95 - 45°
	black		22104131-00		22104131-1241		



Krypton 3

LED	colour	CLD CELL		CLD CELLD-DIG (DALI)		W tot	LUMEN OUTPUT (tq= 25 °C)
		weight	code	weight	code		K - ølm 1050mA - CRI - degrees
COB	white	1,80	22104210-00	1,80	22104210-1241	40	3000K - 2754lm - CRI>95 - 35°
	black		22104230-00		22104230-1241		
COB	white	1,80	22104211-00	1,80	22104211-1241	40	4000K - 2975lm - CRI>95 - 35°
	black		22104231-00		22104231-1241		



Colour is a key factor in enticing consumers to buy. Therefore the lighting of points of sale must improve the viewing of the wares on display. This result can be obtained only with wide-beam light sources capable of ensuring a correct viewing of colours. Fashion is created to satisfy the lighting needs of showrooms and every other space requiring accent lighting.

Main characteristics:

- An elegant and modern design combined with versatility and adjustability ensures seamless installation in any architectonic setting.
- Very high light and energy performance thanks to the use of latest generation LED.
- Excellent rendering of colours and whites, as well as outstanding colour uniformity.
- Available in two versions:
 - with reflector in aluminium with lenticular lens surface capable of improving the distribution of light without reducing optical rendering and therefore the fixture's efficiency;
 - with high-efficiency lenses in PMMA that guarantee a uniform and well-defined light beam for maximum visual comfort;



Fashion - CRI>95

Housing: in die-cast aluminium.

Version with reflector: in die-cast polished aluminium, high efficiency and anti-glare.

Version with lens: in PMMA with high efficiency output and very low glare rate

Coating: power-coated with a UV-resistant polyester epoxy paint.

Regulations: manufactured in accordance with EN 60598-1-CEI 34.21 standards. Degrees of protection in accordance with EN60529 standards.

LED: high-efficiency light **LED VIVID** sources (CRI>95). The LED series was designed with a new technology that ensures uniform colour saturation. This is why these lamps are particularly suited in settings where reflections, transparencies, good colour and white quality are very important.

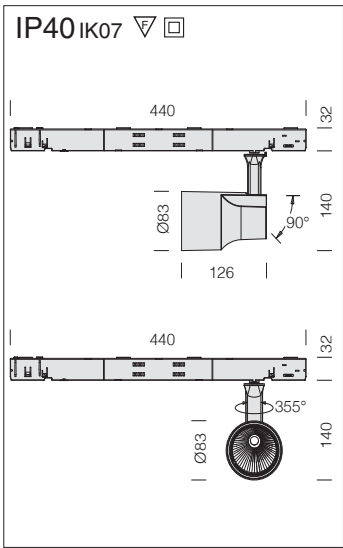
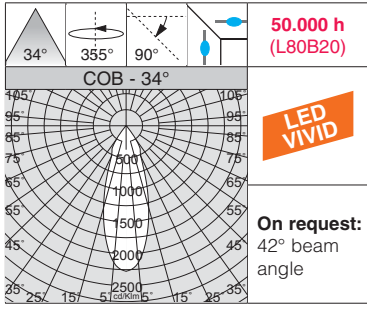
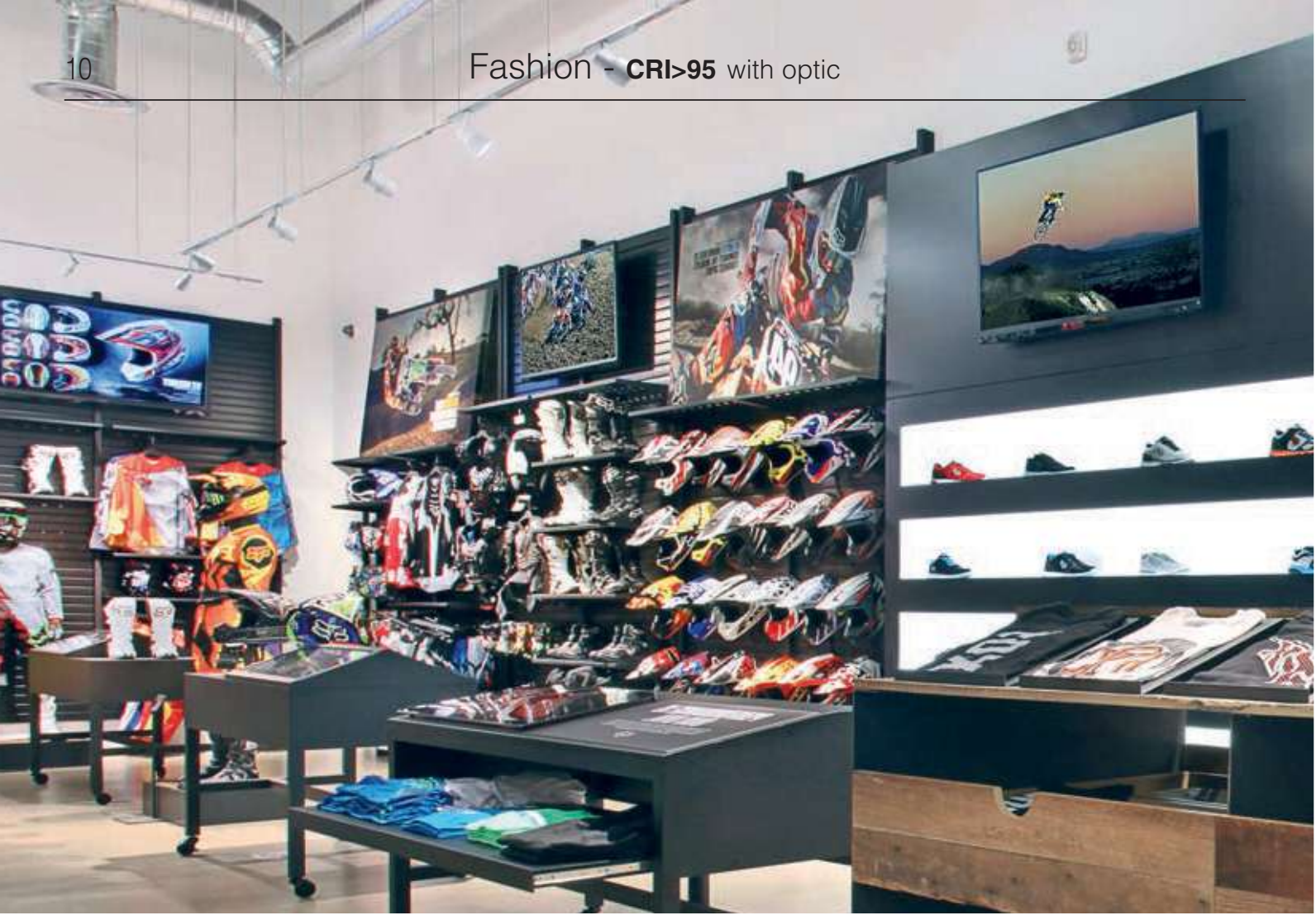
DALI versions: to be used with **OMNITRACK PLUS** track-mounted system.

LED: high-efficiency light sources (CRI>95).

Luminous flux maintenance 80%: **50.000 h (L80B20)**.

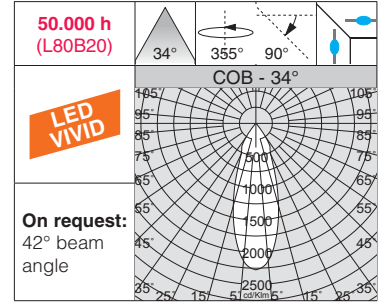
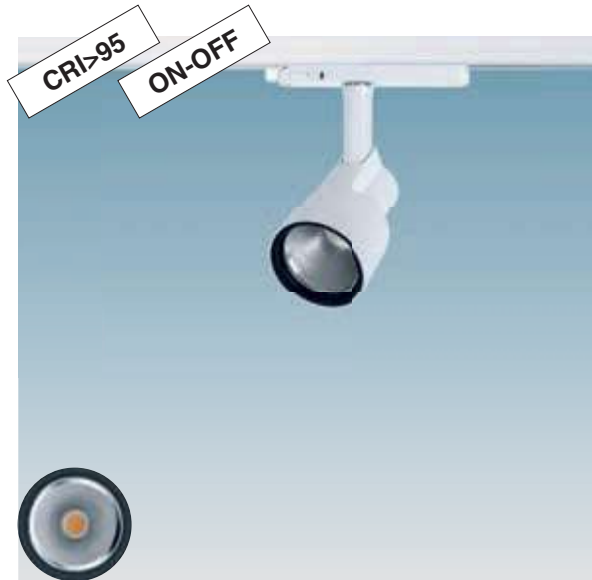
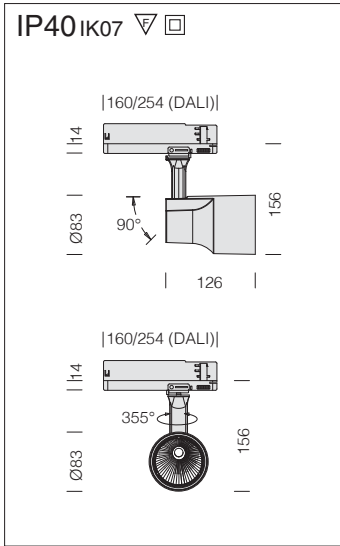
Power factor >0.9.

Photobiological safety class: exempt group.



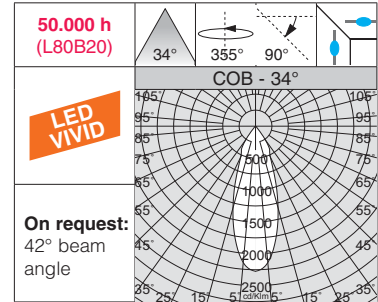
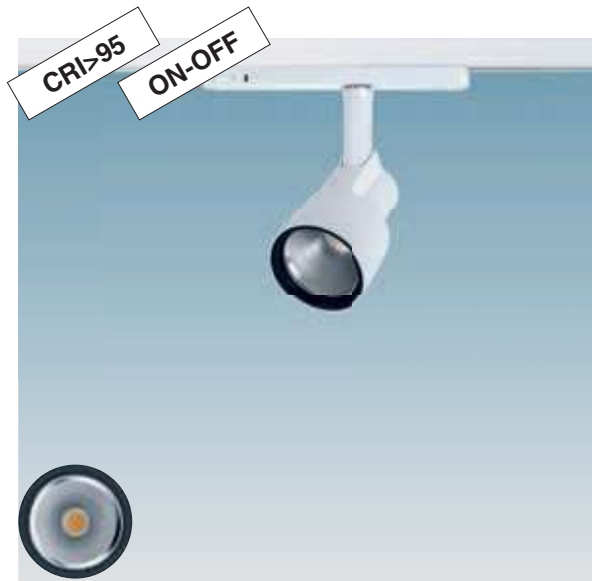
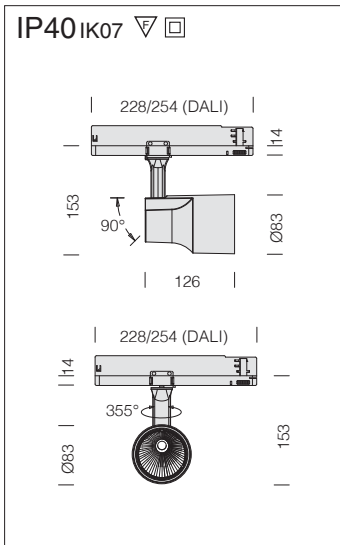
Fashion R1 - with optic							
		CLD CELL		CLD CELLD-DIG (DALI)		LUMEN OUTPUT (tq= 25 °C)	
LED	colour	weight	code	weight	code	W tot	K - ølm 500mA - CRI - degrees
COB	white	1,10	22044210-00	1,10	22044210-1241	19	3000K - 1415lm - CRI>95 - 34°
	black		22044230-00		22044230-1241		
COB	white	1,10	22044211-00	1,10	22044211-1241	19	4000K - 1572lm - CRI>95 - 34°
	black		22044231-00		22044231-1241		

Version complete with concealed adapter and built-in dimmable driver to be used with OMNITRACK PLUS track-mounted system.



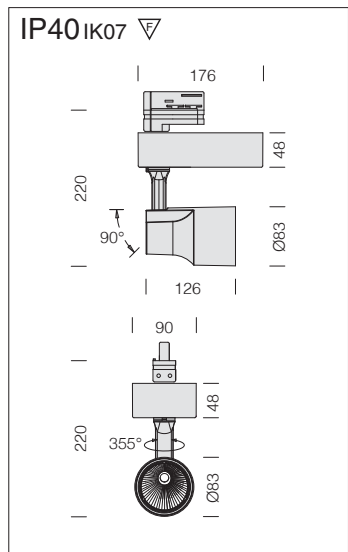
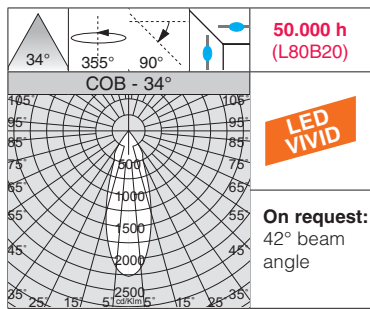
Fashion R2 - with optic

		CLD CELL		CLD CELLD-DIG (DALI)		LUMEN OUTPUT (tq= 25 °C)	
LED	colour	weight	code	weight	code	W tot	K - ølm 650mA - CRI - degrees
COB	white	1,10	22044310-00	1,10	22044310-1241	25	3000K - 1964lm - CRI>95 - 34°
	black		22044330-00		22044330-1241		
COB	white	1,10	22044311-00	1,10	22044311-1241	25	4000K - 2121lm - CRI>95 - 34°
	black		22044331-00		22044331-1241		

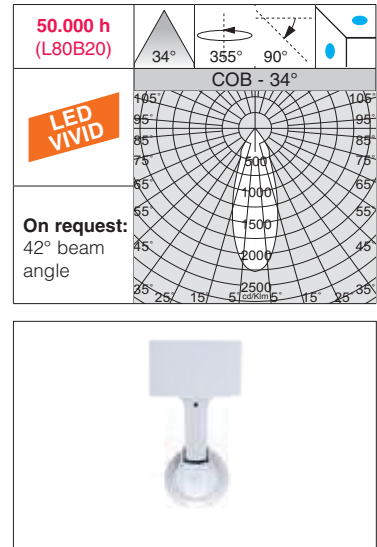
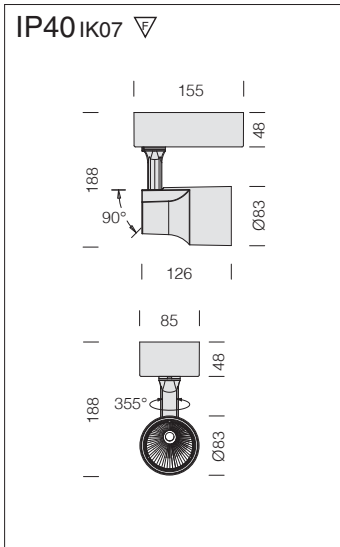


Fashion R3 - with optic

		CLD CELL		CLD CELLD-DIG (DALI)		LUMEN OUTPUT (tq= 25 °C)	
LED	colour	weight	code	weight	code	W tot	K - ølm 750mA - CRI - degrees
COB	white	1,10	22044410-00	1,10	22044410-1241	30	3000K - 2122lm - CRI>95 - 34°
	black		22044430-00		22044430-1241		
COB	white	1,10	22044411-00	1,10	22044411-1241	30	4000K - 2357lm - CRI>95 - 34°
	black		22044431-00		22044431-1241		



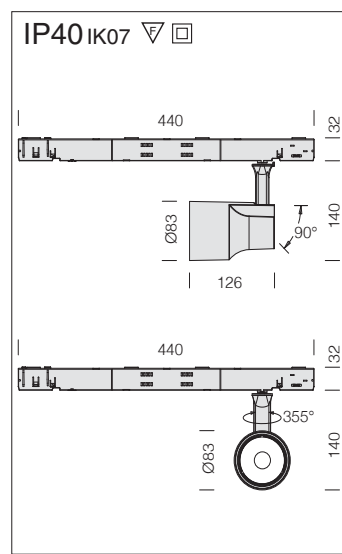
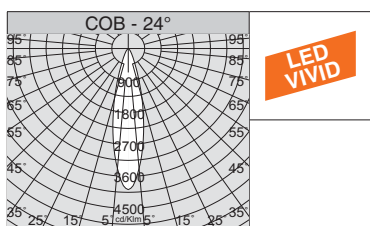
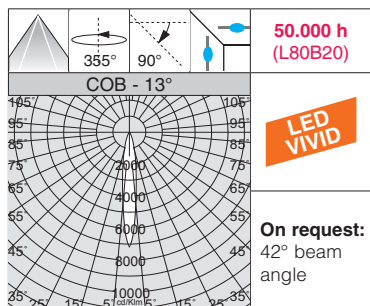
Fashion R4 - with optic							
		CLD CELL		CLD CELLD-DIG (DALI)		LUMEN OUTPUT (tq= 25 °C)	
LED	colour	weight	code	weight	code	W tot	K - ølm 800mA - CRI - degrees
COB	white	1,30	22044510-00	1,30	22044510-1241	31	3000K - 2279lm - CRI>95 - 34°
	black		22044530-00		22044530-1241		
COB	white	1,30	22044511-00	1,30	22044511-1241	31	4000K - 2435lm - CRI>95 - 34°
	black		22044531-00		22044531-1241		



-
-
-
-
-
-
-
-

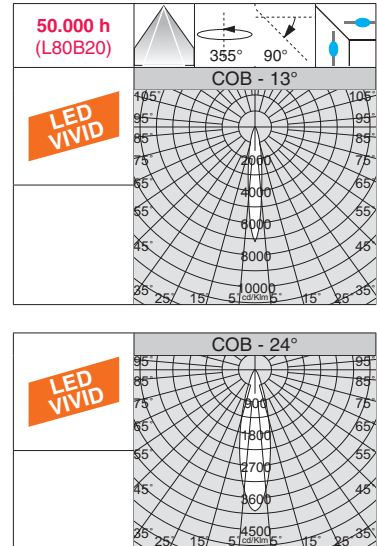
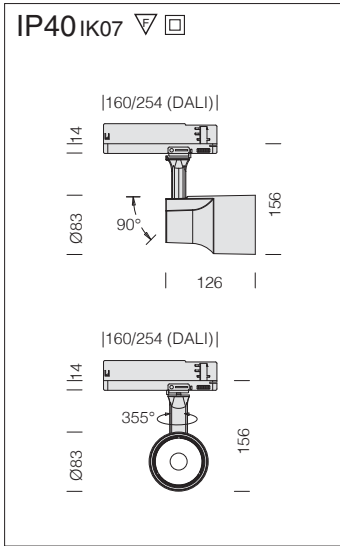
Fashion R5 - base with optic

		CLD CELL		CLD CELLD-DIG (DALI)		LUMEN OUTPUT (tq= 25 °C)	
LED	colour	weight	code	weight	code	W tot	K - ølm 800mA - CRI - degrees
COB	white	1,30	22054510-00	1,30	22054510-1241	31	3000K - 2279lm - CRI>95 - 34°
	black		22054530-00		22054530-1241		
COB	white	1,30	22054511-00	1,30	22054511-1241	31	4000K - 2435lm - CRI>95 - 34°
	black		22054531-00		22054531-1241		



Fashion L1 - with lens							
		CLD CELL		CLD CELLD-DIG (DALI)		LUMEN OUTPUT (tq= 25 °C)	
LED	colour	weight	code	weight	code	W tot	K - olm 500mA - CRI - degrees
COB	white	1,10	22044610-00	1,10	22044610-1241	19	3000K - 1538lm - CRI>95 - 13°
	black		22044630-00		22044630-1241		
COB	white	1,10	22044611-00	1,10	22044611-1241	19	4000K - 1710lm - CRI>95 - 13°
	black		22044631-00		22044631-1241		
COB	white	1,10	22044612-00	1,10	22044612-1241	19	3000K - 1503lm - CRI>95 - 24°
	black		22044632-00		22044632-1241		
COB	white	1,10	22044613-00	1,10	22044613-1241	19	4000K - 1669lm - CRI>95 - 24°
	black		22044633-00		22044633-1241		

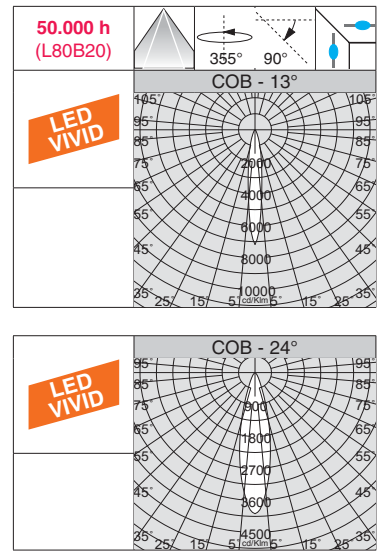
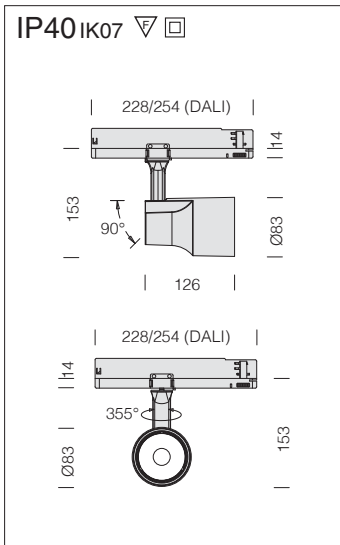
Version complete with concealed adapter and built-in dimmable driver to be used with **OMNITRACK PLUS** track-mounted system.



Fashion L2 - with lens

LED	colour	CLD CELL		CLD CELLD-DIG (DALI)		W tot	LUMEN OUTPUT (tq= 25 °C) K - ølm 650mA - CRI - degrees
		weight	codice	weight	codice		
COB	white	1,10	22044710-00	1,10	22044710-1241	25	3000K - 2136lm - CRI>95 - 13°
	black		22044730-00		22044730-1241		
COB	white	1,10	22044711-00	1,10	22044711-1241	25	4000K - 2306lm - CRI>95 - 13°
	black		22044731-00		22044731-1241		
COB	white	1,10	22044712-00	1,10	22044712-1241	25	3000K - 2087lm - CRI>95 - 24°
	black		22044732-00		22044732-1241		
COB	white	1,10	22044713-00	1,10	22044713-1241	25	4000K - 2254lm - CRI>95 - 24°
	black		22044733-00		22044733-1241		

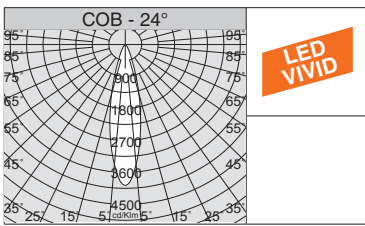
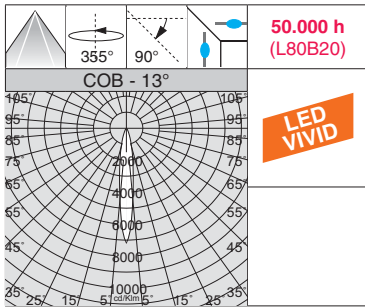
Dimmable version to be used with **OMNITRACK PLUS**.



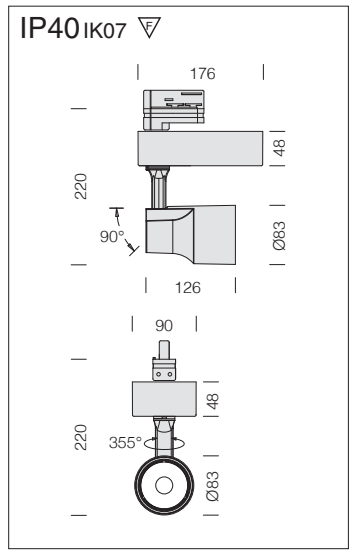
Fashion L3 - with lens

LED	colour	CLD CELL		CLD CELLD-DIG (DALI)		W tot	LUMEN OUTPUT (tq= 25 °C) K - ølm 750mA - CRI - degrees
		weight	code	weight	code		
COB	white	1,10	22044810-00	1,10	22044810-1241	30	3000K - 2306lm - CRI>95 - 13°
	black		22044830-00		22044830-1241		
COB	white	1,10	22044811-00	1,10	22044811-1241	30	4000K - 2563lm - CRI>95 - 13°
	black		22044831-00		22044831-1241		
COB	white	1,10	22044812-00	1,10	22044812-1241	30	3000K - 2253lm - CRI>95 - 24°
	black		22044832-00		22044832-1241		
COB	white	1,10	22044813-00	1,10	22044813-1241	30	4000K - 2504lm - CRI>95 - 24°
	black		22044833-00		22044833-1241		

Dimmable version to be used with **OMNITRACK PLUS**.



CRI>95



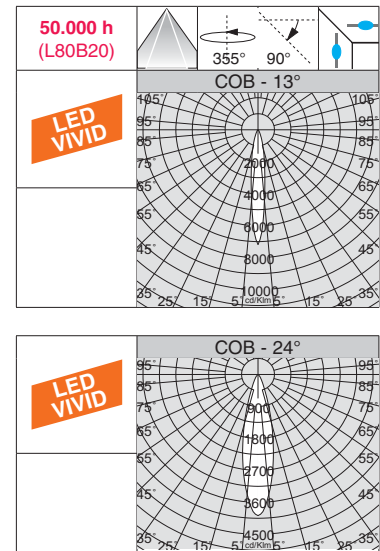
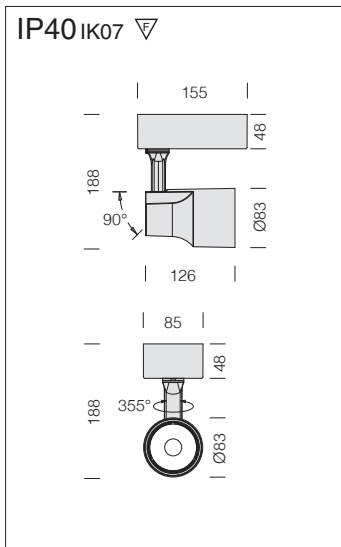
Fashion L4 - with lens							
		CLD CELL		CLD CELLD-DIG (DALI)		LUMEN OUTPUT (tq= 25 °C)	
LED	colour	weight	code	weight	code	W tot	K - ølm 800mA - CRI - degrees
COB	white	1,30	22044910-00	1,30	22044910-1241	31	3000K - 2479lm - CRI>95 - 13°
	black		22044930-00		22044930-1241		
COB	white	1,30	22044911-00	1,30	22044911-1241	31	4000K - 2650lm - CRI>95 - 13°
	black		22044931-00		22044931-1241		
COB	white	1,30	22044912-00	1,30	22044912-1241	31	3000K - 2422lm - CRI>95 - 24°
	black		22044932-00		22044932-1241		
COB	white	1,30	22044913-00	1,30	22044913-1241	31	4000K - 2588lm - CRI>95 - 24°
	black		22044933-00		22044933-1241		

Dimmable version to be used with OMNITRACK PLUS.



On request: version complete with concealed adapter to be used with **OMNITRACK PLUS** and **OMNITRACK H** track-mounted system.

On request: version complete with light beam conveyor to ensure top quality general and accent lighting and great colour stability (CRI>95).



-
-
-
-
-
-
-
-

Fashion L5 - base with lens

		CLD CELL		CLD CELLD-DIG (DALI)		LUMEN OUTPUT (tq= 25 °C)	
LED	colour	weight	code	weight	code	W tot	K - ølm 800mA - CRI - degrees
COB	white	1,30	22054910-00	1,30	22054910-1241	31	3000K - 2479lm - CRI>95 - 13°
	black		22054930-00		22054930-1241		
COB	white	1,30	22054911-00	1,30	22054911-1241	31	4000K - 2650lm - CRI>95 - 13°
	black		22054931-00		22054931-1241		
COB	white	1,30	22054912-00	1,30	22054912-1241	31	3000K - 2422lm - CRI>95 - 24°
	black		22054932-00		22054932-1241		
COB	white	1,30	22054913-00	1,30	22054913-1241	31	4000K - 2588lm - CRI>95 - 24°
	black		22054933-00		22054933-1241		

On request: CLD CELL-D (1-10V) with sub-code -12



Asso "A" - small

Asso "A" - medium

Asso "A" - big



The primary goal of indoor lighting is to enhance visual wellbeing, aesthetic quality and energy savings. The new LED sources allow high luminance levels and excellent colour rendering. The new Asso spotlights are perfect for all spaces where the rendering of reflexes, transparencies, whites and colours is important. Each version offers maximum lighting quality and an extraordinary colour rendering (CRI 95).

Housing: in die-cast aluminium.

Reflector: in die-cast polished aluminium, high efficiency and anti-glare.

Standard supply: supplied with universal adapter.

Coating: power-coated with a UV-resistant polyester epoxy paint.

DALI versions: to be used with **OMNITRACK PLUS** track-mounted system.

LED: high-efficiency light sources (CRI>95).

Luminous flux maintenance 80%: **50.000 h (L80B20)**.

Power factor >0.9.

Photobiological safety class: exempt group.



Asso "B" - small



Asso "B" - medium

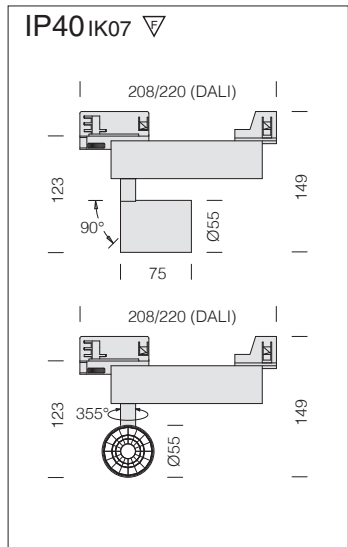
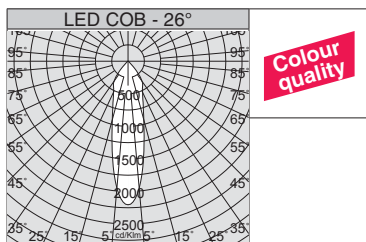
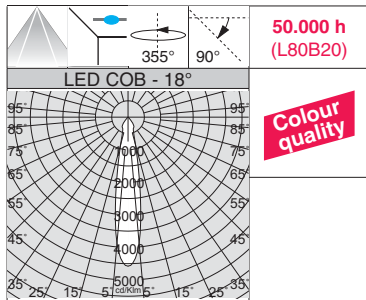


Asso "B" - big

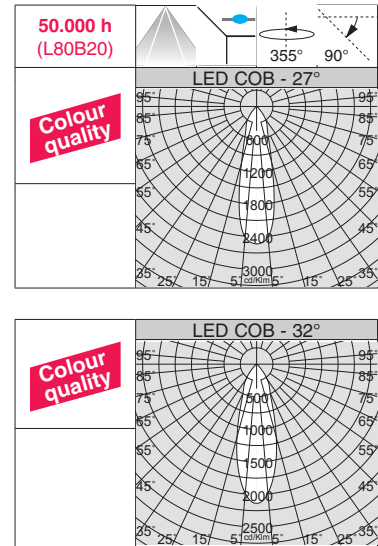
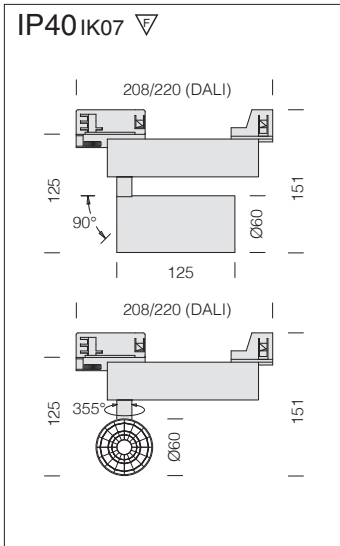


The right lighting and fixture play a vital role in facilitating sales. This is the reason why LED fixtures with a **CRI>90** are being requested. Therefore, the current trend is geared towards the manufacturing of more flexible fixtures, which also emit an excellent quality of light, while guaranteeing remarkable energy savings and lower maintenance costs.

The Colour Rendering Index (**CRI**) indicates how truthfully the artificial light source is able to reproduce the colours of objects. It varies from a range of **0 to 100**, where **0 represents the minimum** and **100 is the maximum**. Daylight is the best source of light from a physiological point of view because it contains the full colour spectrum. Therefore, a lamp with a high colour rendering index is very important to ensure the wellbeing and comfort of the occupants of a room and it is absolutely necessary in rooms where good visibility is required.



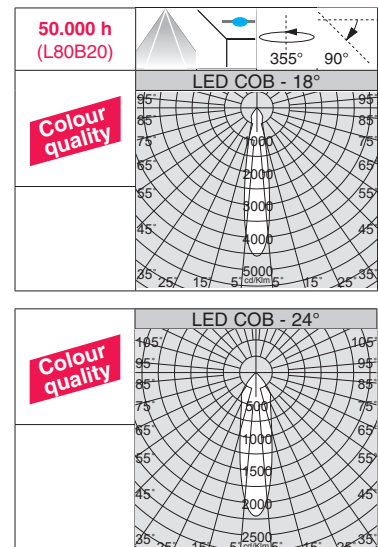
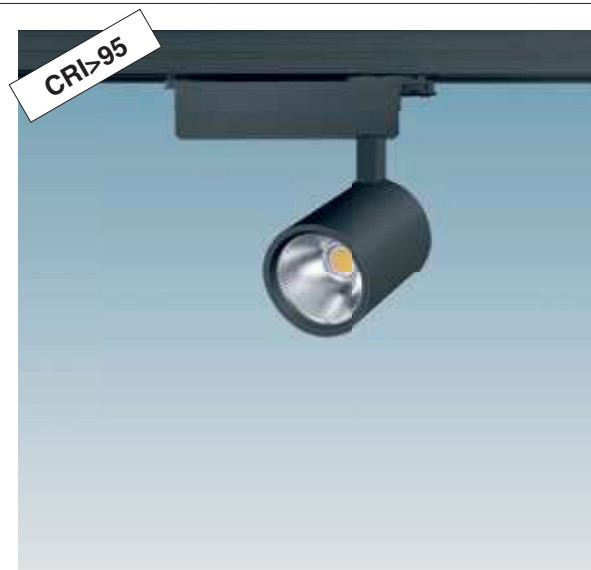
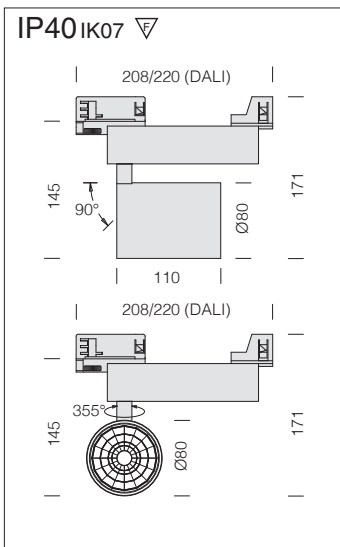
Asso "A" - small							
LED		CLD CELL		CLD CELLD-DIG (DALI)		W tot	LUMEN OUTPUT (tq= 25 °C) K - ølm 350mA - CRI - degrees
colour	weight	code	weight	code			
COB	white	0,75	22043210-00	0,75	22043210-1241	14	3000K - 1347lm - CRI>95 - 18°
	black		22043230-00		22043230-1241		
COB	white	0,75	22043210-68	0,75	22043210-6841	14	4000K - 1441lm - CRI>95 - 18°
	black		22043230-68		22043230-6841		
COB	white	0,75	22043212-00	0,75	22043212-1241	14	3000K - 1360lm - CRI>95 - 26°
	black		22043232-00		22043232-1241		
COB	white	0,75	22043212-68	0,75	22043212-6841	14	4000K - 1455lm - CRI>95 - 26°
	black		22043232-68		22043232-6841		
COB	white	0,75	22043214-00	0,75	22043214-1241	14	3000K - 1297lm - CRI>95 - 38°
	black		22043234-00		22043234-1241		
COB	white	0,75	22043214-68	0,75	22043214-6841	14	4000K - 1388lm - CRI>95 - 38°
	black		22043234-68		22043234-6841		
COB	white	0,75	22043216-00	0,75	22043216-1241	14	3000K - 1308lm - CRI>95 - 63°
	black		22043236-00		22043236-1241		
COB	white	0,75	22043216-68	0,75	22043216-6841	14	4000K - 1400lm - CRI>95 - 63°
	black		22043236-68		22043236-6841		



Asso "A" - medium

LED	colour	CLD CELL		CLD CELLD-DIG (DALI)		W tot	LUMEN OUTPUT (tq= 25 °C) K - ølm 600mA - CRI - degrees
		weight	code	weight	code		
COB	white	0,90	22043110-00	0,90	22043110-1241	22	3000K - 2195lm - CRI>95 - 27°
	black		22043130-00		22043130-1241		
COB	white	0,90	22043110-68	0,90	22043110-6841	22	4000K - 2349lm - CRI>95 - 27°
	black		22043130-68		22043130-6841		
COB	white	0,90	22043112-00	0,90	22043112-1241	22	3000K - 2213lm - CRI>95 - 32°
	black		22043132-00		22043132-1241		
COB	white	0,90	22043112-68	0,90	22043112-6841	22	4000K - 2368lm - CRI>95 - 32°
	black		22043132-68		22043132-6841		
COB	white	0,90	22043114-00	0,90	22043114-1241	22	3000K - 2260lm - CRI>95 - 50°
	black		22043134-00		22043134-1241		
COB	white	0,90	22043114-68	0,90	22043114-6841	22	4000K - 2418lm - CRI>95 - 50°
	black		22043134-68		22043134-6841		

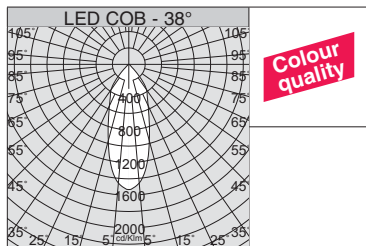
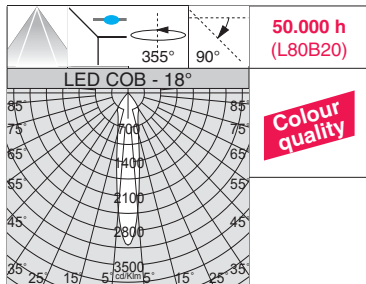
Dimmable version to be used with **OMNITRACK PLUS**.



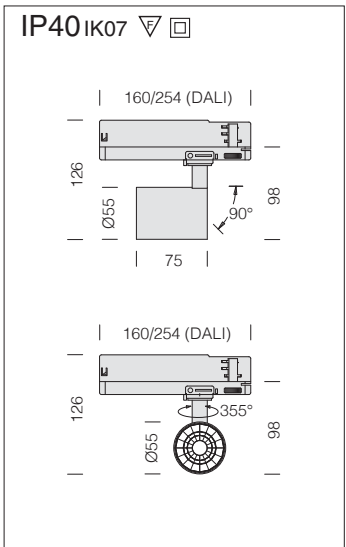
Asso "A" - big

LED	colour	CLD CELL		CLD CELLD-DIG (DALI)		W tot	LUMEN OUTPUT (tq= 25 °C) K - ølm 700mA - CRI - degrees
		weight	code	weight	code		
COB	white	1,00	22040317-00	1,00	22040317-1241	27	3000K - 2616lm - CRI>95 - 18°
	black		22040337-00		22040337-1241		
COB	white	1,00	22040317-68	1,00	22040317-6841	27	4000K - 2799lm - CRI>95 - 18°
	black		22040337-68		22040337-6841		
COB	white	1,00	22040316-00	1,00	22040316-1241	27	3000K - 2644lm - CRI>95 - 24°
	black		22040336-00		22040336-1241		
COB	white	1,00	22040316-68	1,00	22040316-6841	27	4000K - 2829lm - CRI>95 - 24°
	black		22040336-68		22040336-6841		
COB	white	1,00	22040315-00	1,00	22040315-1241	27	3000K - 2665lm - CRI>95 - 40°
	black		22040335-00		22040335-1241		
COB	white	1,00	22040315-68	1,00	22040315-6841	27	4000K - 2852lm - CRI>95 - 40°
	black		22040335-68		22040335-6841		

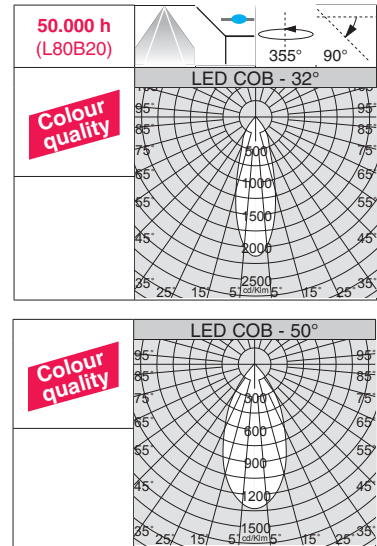
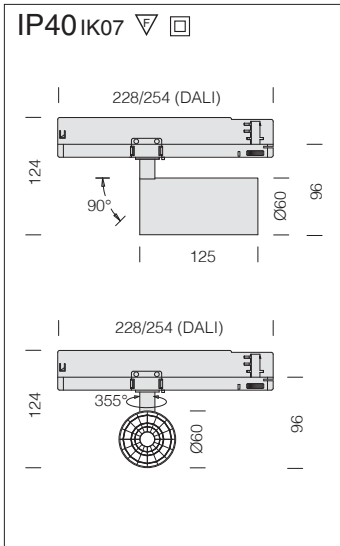
Dimmable version to be used with **OMNITRACK PLUS**.



CRI>95



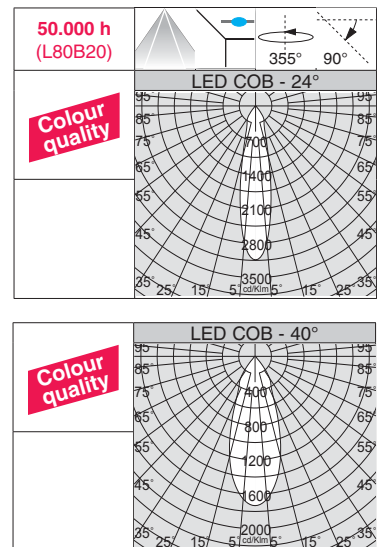
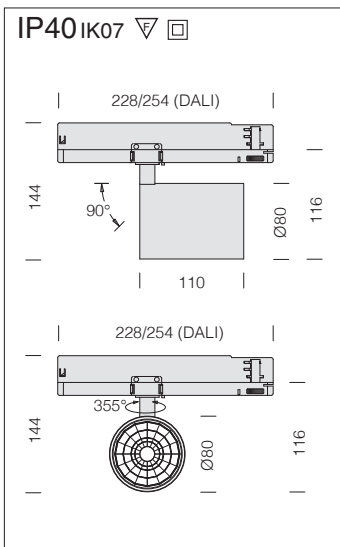
Asso "B" - small							
		CLD CELL		CLD CELL-DIG (DALI)		W tot	LUMEN OUTPUT (tq= 25 °C) K - olm 350mA - CRI - degrees
LED	colour	weight	code	weight	code		
COB	white	0,65	22040810-00	0,65	22040810-1241	14	3000K - 1347lm - CRI>95 - 18°
	black		22040830-00		22040830-1241		
COB	white	0,65	22040810-68	0,65	22040810-6841	14	4000K - 1441lm - CRI>95 - 18°
	black		22040830-68		22040830-6841		
COB	white	0,65	22040812-00	0,65	22040812-1241	14	3000K - 1360lm - CRI>95 - 26°
	black		22040832-00		22040832-1241		
COB	white	0,65	22040812-68	0,65	22040812-6841	14	4000K - 1455lm - CRI>95 - 26°
	black		22040832-68		22040832-6841		
COB	white	0,65	22040814-00	0,65	22040814-1241	14	3000K - 1297lm - CRI>95 - 38°
	black		22040834-00		22040834-1241		
COB	white	0,65	22040814-68	0,65	22040814-6841	14	4000K - 1388lm - CRI>95 - 38°
	black		22040834-68		22040834-6841		
COB	white	0,65	22040816-00	0,65	22040816-1241	14	3000K - 1308lm - CRI>95 - 63°
	black		22040836-00		22040836-1241		
COB	white	0,65	22040816-68	0,65	22040816-6841	14	4000K - 1400lm - CRI>95 - 63°
	black		22040836-68		22040836-6841		



Asso "B" - medium

LED	colour	CLD CELL		CLD CELLD-DIG (DALI)		W tot	LUMEN OUTPUT (tq= 25 °C) K - ølm 600mA - CRI - degrees
		weight	code	weight	code		
COB	white	0,80	22043310-00	0,80	22043310-1241	22	3000K - 2195lm - CRI>95 - 27°
	black		22043330-00		22043330-1241		
COB	white	0,80	22043310-68	0,80	22043310-6841	22	4000K - 2349lm - CRI>95 - 27°
	black		22043330-68		22043330-6841		
COB	white	0,80	22043312-00	0,80	22043312-1241	22	3000K - 2213lm - CRI>95 - 32°
	black		22043332-00		22043332-1241		
COB	white	0,80	22043312-68	0,80	22043312-6841	22	4000K - 2368lm - CRI>95 - 32°
	black		22043332-68		22043332-6841		
COB	white	0,80	22043314-00	0,80	22043314-1241	22	3000K - 2260lm - CRI>95 - 50°
	black		22043334-00		22043334-1241		
COB	white	0,80	22043314-68	0,80	22043314-6841	22	4000K - 2418lm - CRI>95 - 50°
	black		22043334-68		22043334-6841		

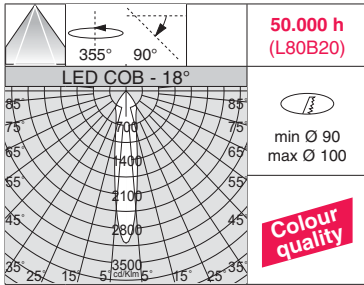
Dimmable version to be used with **OMNITRACK PLUS**.



Asso "B" - big

LED	colour	CLD CELL		CLD CELLD-DIG (DALI)		W tot	LUMEN OUTPUT (tq= 25 °C) K - ølm 700mA - CRI - degrees
		weight	code	weight	code		
COB	white	0,90	22043410-00	0,90	22043410-1241	27	3000K - 2616lm - CRI>95 - 18°
	black		22043430-00		22043430-1241		
COB	white	0,90	22043410-68	0,90	22043410-6841	27	4000K - 2799lm - CRI>95 - 18°
	black		22043430-68		22043430-6841		
COB	white	0,90	22043412-00	0,90	22043412-1241	27	3000K - 2644lm - CRI>95 - 24°
	black		22043432-00		22043432-1241		
COB	white	0,90	22043412-68	0,90	22043412-6841	27	4000K - 2829lm - CRI>95 - 24°
	black		22043432-68		22043432-6841		
COB	white	0,90	22043414-00	0,90	22043414-1241	27	3000K - 2665lm - CRI>95 - 40°
	black		22043434-00		22043434-1241		
COB	white	0,90	22043414-68	0,90	22043414-6841	27	4000K - 2852lm - CRI>95 - 40°
	black		22043434-68		22043434-6841		

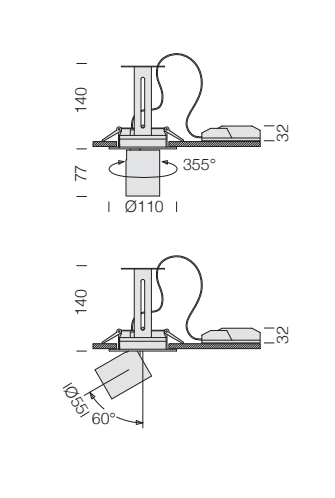
Dimmable version to be used with **OMNITRACK PLUS**.



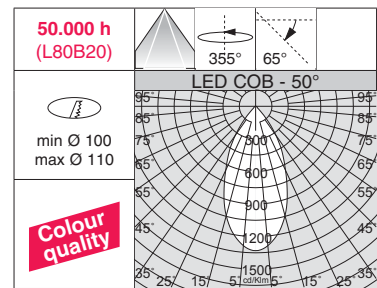
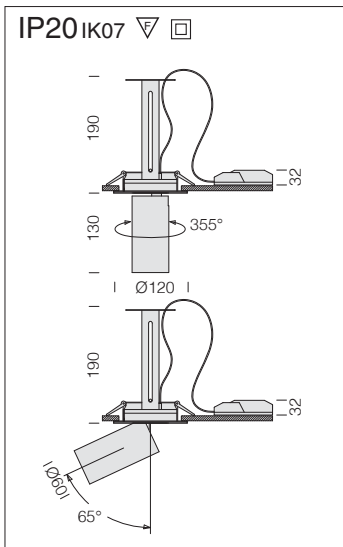
CRI>95



IP20 IK07



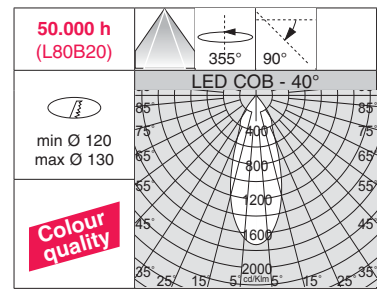
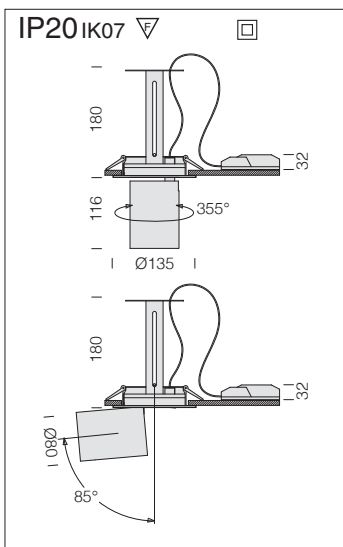
Asso "C" - small							
		CLD CELL		CLD CELL-DIG (DALI)		W tot	LUMEN OUTPUT (tq= 25 °C)
LED	colour	weight	code	weight	code		K - olm 350mA - CRI - degrees
COB	white	0,50	22043510-00	0,50	22043510-1241	14	3000K - 1347lm - CRI>95 - 18°
	black		22043530-00		22043530-1241		
COB	white	0,50	22043510-68	0,50	22043510-6841	14	4000K - 1441lm - CRI>95 - 18°
	black		22043530-68		22043530-6841		
COB	white	0,50	22043512-00	0,50	22043512-1241	14	3000K - 1360lm - CRI>95 - 26°
	black		22043532-00		22043532-1241		
COB	white	0,50	22043512-68	0,50	22043512-6841	14	4000K - 1455lm - CRI>95 - 26°
	black		22043532-68		22043532-6841		
COB	white	0,50	22043514-00	0,50	22043514-1241	14	3000K - 1297lm - CRI>95 - 38°
	black		22043534-00		22043534-1241		
COB	white	0,50	22043514-68	0,50	22043514-6841	14	4000K - 1388lm - CRI>95 - 38°
	black		22043534-68		22043534-6841		
COB	white	0,50	22043516-00	0,50	22043516-1241	14	3000K - 1308lm - CRI>95 - 63°
	black		22043536-00		22043536-1241		
COB	white	0,50	22043516-68	0,50	22043516-6841	14	4000K - 1400lm - CRI>95 - 63°
	black		22043536-68		22043536-6841		



-
-
-
-
-
-
-
-

Asso "C" - medium

LED	colour	CLD CELL		CLD CELLD-DIG (DALI)		W tot	LUMEN OUTPUT (tq= 25 °C)
		weight	code	weight	code		K - ølm 600mA - CRI - degrees
COB	white	0,90	22043610-00	0,90	22043610-1241	22	3000K - 2195lm - CRI>95 - 27°
	black		22043630-00		22043630-1241		
COB	white	0,90	22043610-68	0,90	22043610-6841	22	4000K - 2349lm - CRI>95 - 27°
	black		22043630-68		22043630-6841		
COB	white	0,90	22043612-00	0,90	22043612-1241	22	3000K - 2213lm - CRI>95 - 32°
	black		22043632-00		22043632-1241		
COB	white	0,90	22043612-68	0,90	22043612-6841	22	4000K - 2368lm - CRI>95 - 32°
	black		22043632-68		22043632-6841		
COB	white	0,90	22043614-00	0,90	22043614-1241	22	3000K - 2260lm - CRI>95 - 50°
	black		22043634-00		22043634-1241		
COB	white	0,90	22043614-68	0,90	22043614-6841	22	4000K - 2418lm - CRI>95 - 50°
	black		22043634-68		22043634-6841		



-
-
-
-
-
-
-
-

Asso "C" - big

LED	colour	CLD CELL		CLD CELLD-DIG (DALI)		W tot	LUMEN OUTPUT (tq= 25 °C)
		weight	code	weight	code		K - ølm 700mA - CRI - degrees
COB	white	1,00	22043710-00	1,00	22043710-1241	27	3000K - 2616lm - CRI>95 - 18°
	black		22043730-00		22043730-1241		
COB	white	1,00	22043710-68	1,00	22043710-6841	27	4000K - 2799lm - CRI>95 - 18°
	black		22043730-68		22043730-6841		
COB	white	1,00	22043712-00	1,00	22043712-1241	27	3000K - 2644lm - CRI>95 - 24°
	black		22043732-00		22043732-1241		
COB	white	1,00	22043712-68	1,00	22043712-6841	27	4000K - 2829lm - CRI>95 - 24°
	black		22043732-68		22043732-6841		
COB	white	1,00	22043714-00	1,00	22043714-1241	27	3000K - 2665lm - CRI>95 - 40°
	black		22043734-00		22043734-1241		
COB	white	1,00	22043714-68	1,00	22043714-6841	27	4000K - 2852lm - CRI>95 - 40°
	black		22043734-68		22043734-6841		



Vision is a family of floodlights covering the widest range of sources and lighting design needs for perfect optical control of the light beams. A series of fixtures designed to satisfy the most widely differing architectural lighting and display needs, with performance in mind and using the most innovative light sources to ensure excellent visual comfort. The highest performance components are contained in an extruded aluminium housing with through chambers which permit optimised heat exchange by conductive and convective dispersion thus increasing the performance and reliability of the floodlights. The movable L-shaped supporting rod permits optimised balancing of the fixture whatever its configuration. The direction can be precisely controlled and the light beam accurately aimed using the radial micrometric scale. When a product maintains the same aesthetic design, it becomes increasingly important to have various types of light source to choose from. Vision has thus been created to satisfy any need. In fact, a single housing guarantees application continuity even when using different optical units and lamps, and is ideal for use in places where - when accent lighting is required - the quality of the light output must be differentiated.

Housing: die-cast aluminium with cooling vents.

Coating: power-coated with a UV-resistant polyester epoxy paint.

Regulations: manufactured in accordance with EN 60598-1-CEI 34.21 standards. Degrees of protection in accordance with EN60529 standards.

LED: high-efficiency light sources (CRI>95).

Luminous flux maintenance 80%: **50.000 h (L80B20)**.

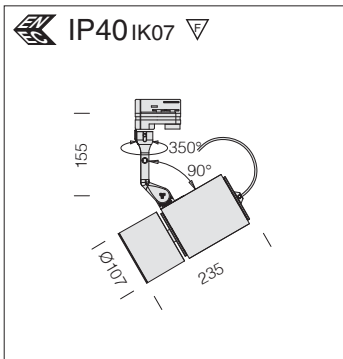
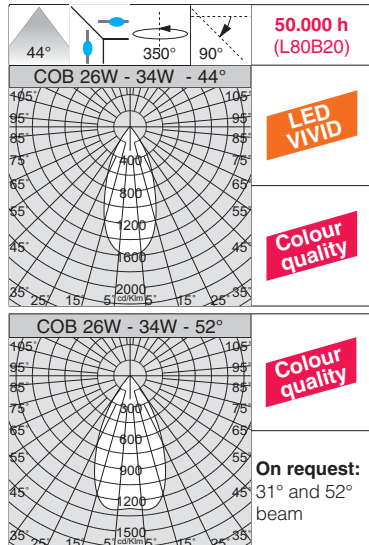
Power factor >0.9.

Photobiological safety class: exempt group.



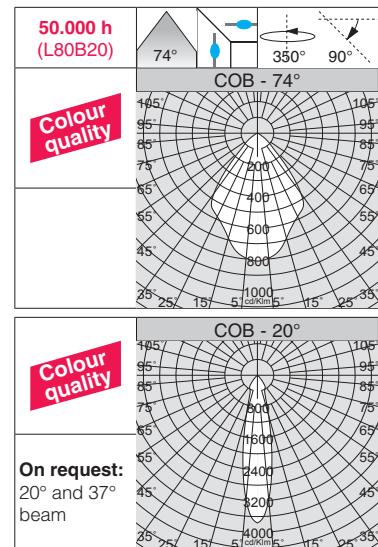
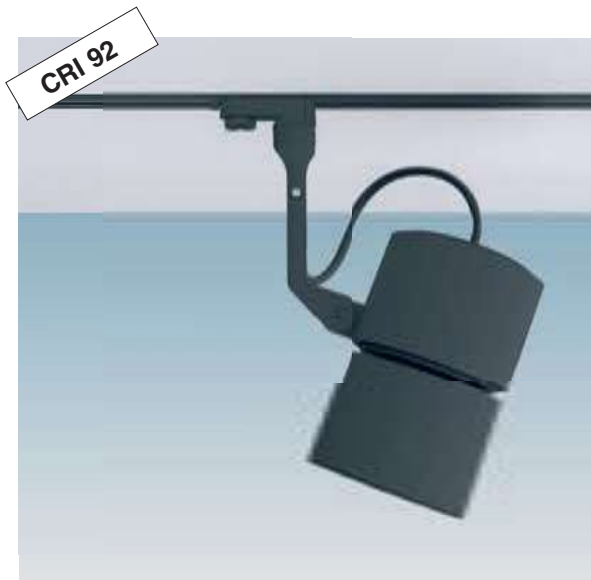
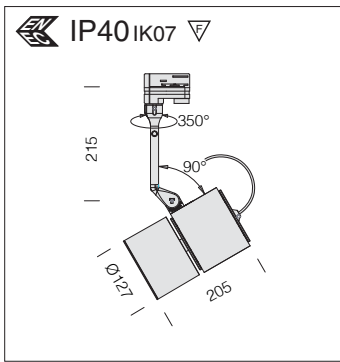
The right lighting and fixture play a vital role in facilitating sales. This is the reason why LED fixtures with a **CRI>90** are being requested. Therefore, the current trend is geared towards the manufacturing of more flexible fixtures, which also emit an excellent quality of light, while guaranteeing remarkable energy savings and lower maintenance costs.

The Colour Rendering Index (**CRI**) indicates how truthfully the artificial light source is able to reproduce the colours of objects. It varies from a range of **0 to 100**, where **0 represents the minimum** and **100 is the maximum**. Daylight is the best source of light from a physiological point of view because it contains the full colour spectrum. Therefore, a lamp with a high colour rendering index is very important to ensure the wellbeing and comfort of the occupants of a room and it is absolutely necessary in rooms where good visibility is required.



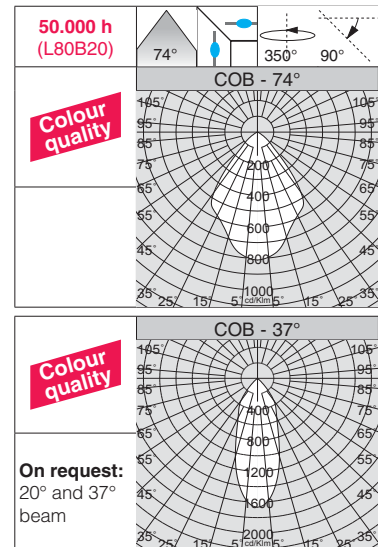
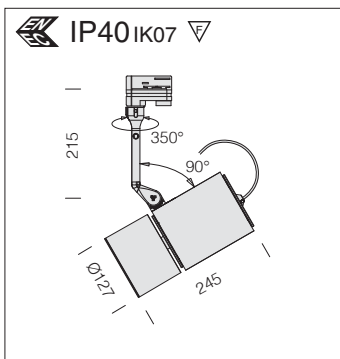
Vision 2.0 small - universal adapter - SHORT version							
LED	colour	CLD CELL		CLD CELLD-DIG (DALI)		LUMEN OUTPUT (tq= 25 °C) K - ølm - CRI - degrees	
		weight	code	weight	code		W tot
COB VIVID	white	1,65	22702810-00			34	
	black		22702830-00				
	m. silver		22702870-00				
COB VIVID	white	1,65	22702810-68			34	
	black		22702830-68				
	m. silver		22702870-68				
COB	white	1,65	22703510-00			34	
	black		22703530-00				
	m. silver		22703570-00				
COB	white	1,65	22703510-68			34	
	black		22703530-68				
	m. silver		22703570-68				
COB	white			1,65		26	
	black						22702810-1241
	m. silver						22702830-1241
COB	white			1,65		26	
	black						22702870-6841
	m. silver						22702830-6841
						22702870-6841	

On request: 2770lm version, with 22° and 35° beam.



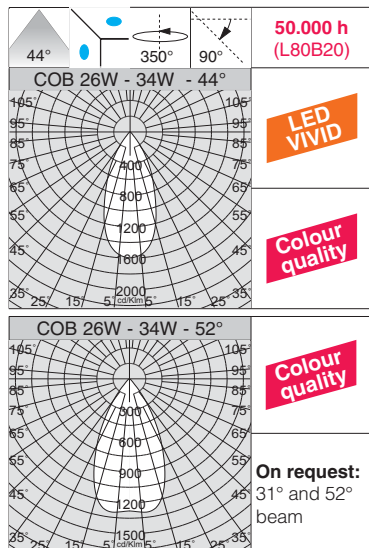
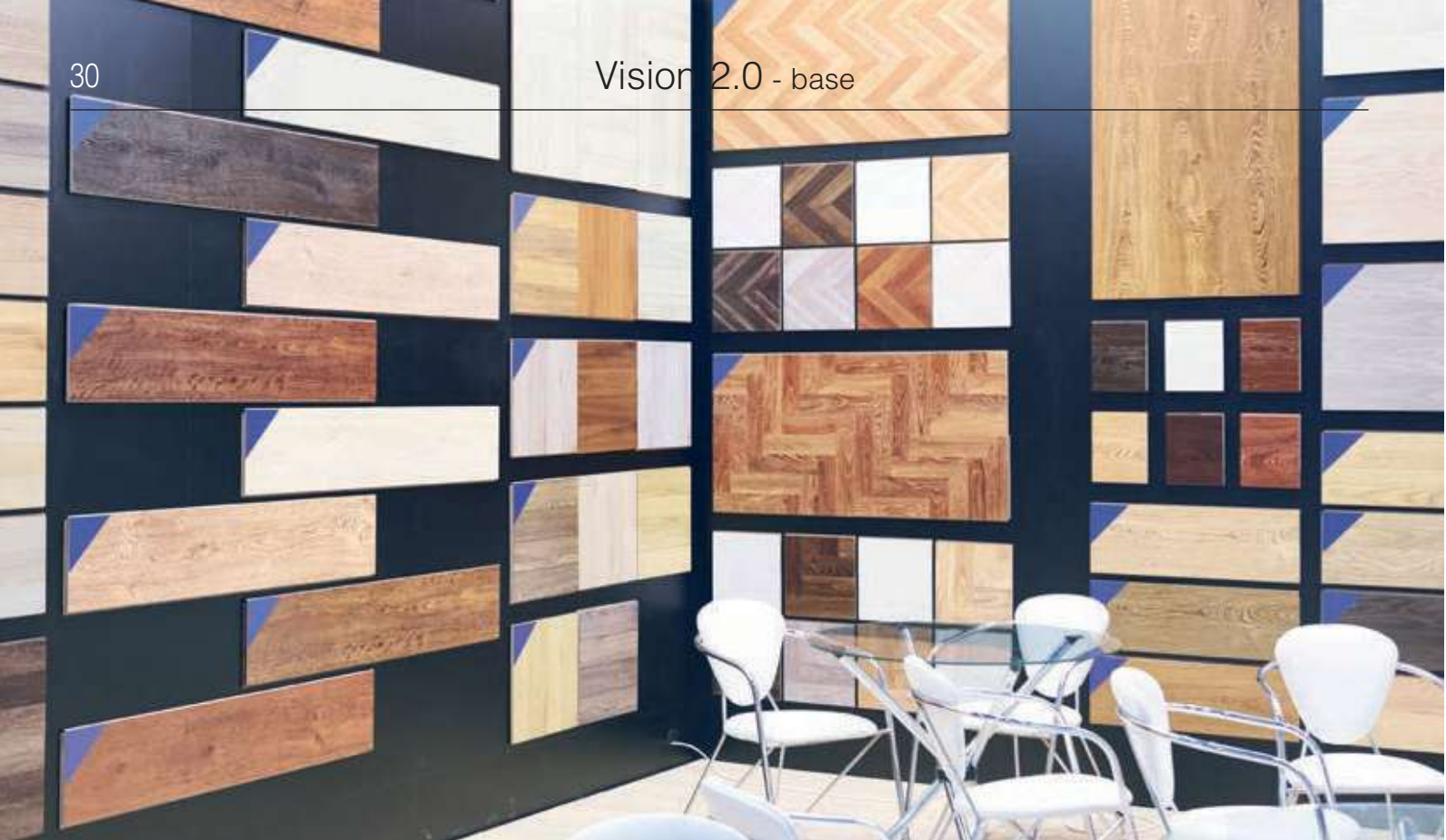
Vision 2.0 big C - universal adapter - LONG version

LED		CLD CELL		CLD CELLD-DIG (DALI)		W tot	LUMEN OUTPUT (tq= 25 °C) K - ølm - CRI - degrees
colour	weight	code	weight	code			
COB	white	1,80	22703013-00	1,80	22703013-1241	39	3000K - 3761lm - CRI 92 - 74°
	black		22703033-00		22703033-1241		
	m. silver		22703073-00		22703073-1241		
COB	white	1,80	22703013-68	1,80	22703013-6841	39	4000K - 4024lm - CRI 92 - 74°
	black		22703033-68		22703033-6841		
	m. silver		22703073-68		22703073-6841		



Vision 2.0 big L - universal adapter - LONG version

LED		CLD CELL		CLD CELLD-DIG (DALI)		W tot	LUMEN OUTPUT (tq= 25 °C) K - ølm - CRI - degrees
colour	weight	code	weight	code			
COB	white	2,15	22702913-00	2,15	22702913-1241	45	3000K - 4655lm - CRI 92 - 74°
	black		22702933-00		22702933-1241		
	m. silver		22702973-00		22702973-1241		
COB	white	2,15	22702913-68	2,15	22702913-6841	45	4000K - 4891lm - CRI 92 - 74°
	black		22702933-68		22702933-6841		
	m. silver		22702973-68		22702973-6841		
COB	white	2,15	22703413-00	2,15	22703413-1241	54	3000K - 5217lm - CRI 92 - 74°
	black		22703433-00		22703433-1241		
	m. silver		22703473-00		22703473-1241		
COB	white	2,15	22703413-68	2,15	22703413-6841	54	4000K - 5592lm - CRI 92 - 74°
	black		22703433-68		22703433-6841		
	m. silver		22703473-68		22703473-6841		



50.000 h (L80B20)

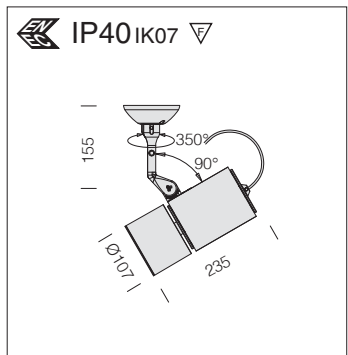
LED VIVID

Colour quality

Colour quality

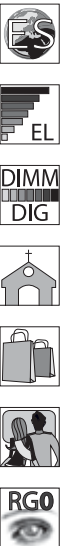
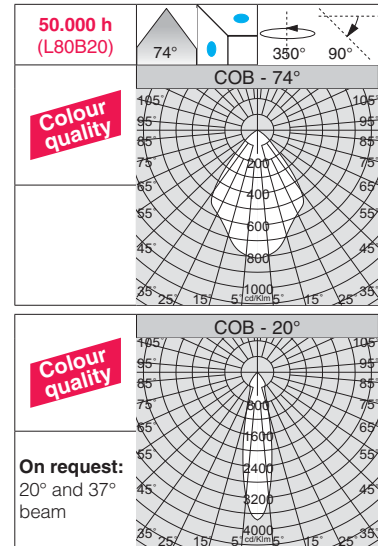
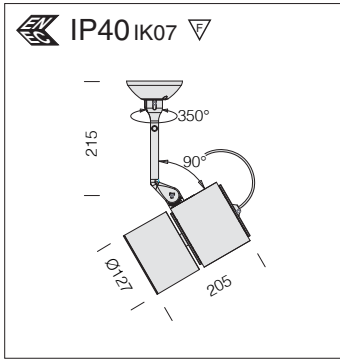
On request: 31° and 52° beam

CRI > 95
CRI 92

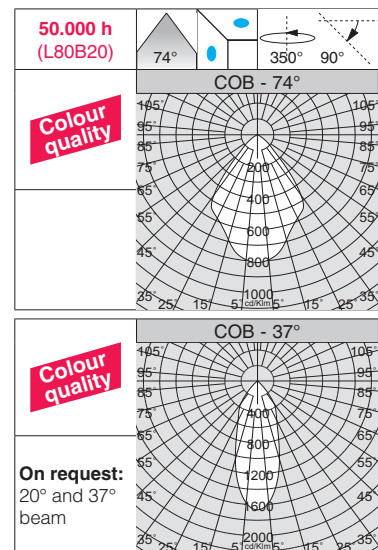
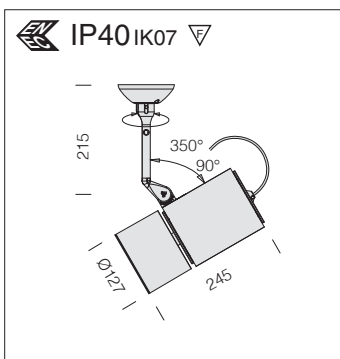


Vision 2.0 small - universal adapter - SHORT version							
LED	colour	CLD CELL		CLD CELLD-DIG (DALI)		LUMEN OUTPUT (tq= 25 °C) K - ølm - CRI - degrees	
		weight	code	weight	code		
COB VIVID	white	1,65	22802810-00			34	
	black		22802830-00				
	m. silver		22802870-00				
COB VIVID	white	1,65	22802810-68			34	
	black		22802830-68				
	m. silver		22802870-68				
COB	white	1,65	22803510-00			34	
	black		22803530-00				
	m. silver		22803570-00				
COB	white	1,65	22803510-68			34	
	black		22803530-68				
	m. silver		22803570-68				
COB	white			1,65		26	
	black						22802810-1241
	m. silver						22802870-1241
COB	white			1,65		26	
	black						22802810-6841
	m. silver						22802870-6841

On request: 2770lm version, with 22° and 35° beam.



Vision 2.0 big C - universal adapter - LONG version						
LED	colour	CLD CELL		CLD CELLD-DIG (DALI)		LUMEN OUTPUT (tq= 25 °C) K - ølm - CRI - degrees
		weight	code	weight	code	
COB	white	1,80	22803013-00	1,80	22803013-1241	39000K - 3761lm - CRI 92 - 74°
	black		22803033-00		22803033-1241	
	m. silver		22803073-00		22803073-1241	
COB	white	1,80	22803013-68	1,80	22803013-6841	394000K - 4024lm - CRI 92 - 74°
	black		22803033-68		22803033-6841	
	m. silver		22803073-68		22803073-6841	



Vision 2.0 big L - universal adapter - LONG version						
LED	colour	CLD CELL		CLD CELLD-DIG (DALI)		LUMEN OUTPUT (tq= 25 °C) K - ølm - CRI - degrees
		weight	code	weight	code	
COB	white	2,15	22802913-00	2,15	22802913-1241	453000K - 4655lm - CRI 92 - 74°
	black		22802933-00		22802933-1241	
	m. silver		22802973-00		22802973-1241	
COB	white	2,15	22802913-68	2,15	22802913-6841	454000K - 4891lm - CRI 92 - 74°
	black		22802933-68		22802933-6841	
	m. silver		22802973-68		22802973-6841	
COB	white	2,15	22803413-00	2,15	22803413-1241	543000K - 5217lm - CRI 92 - 74°
	black		22803433-00		22803433-1241	
	m. silver		22803473-00		22803473-1241	
COB	white	2,15	22803413-68	2,15	22803413-6841	544000K - 5582lm - CRI 92 - 74°
	black		22803433-68		22803433-6841	
	m. silver		22803473-68		22803473-6841	



This version features a particular shape and a design with clean lines that can meet different architectonic lighting needs using high colour rendering LEDs. It is an all-new spotlight, which is entirely adjustable for an extraordinarily effective lighting project that adds value to any space and object.

Housing: in die-cast aluminium.

Optic compartment: front in black polycarbonate (the white colour version is available upon request).

Lens: in PMMA with high efficiency output and very low glare rate.

Equipment: supplied with universal adapter in track mounted versions.

LED: high-efficiency light sources (**CRI 90**).

Luminous flux maintenance 80%: **50.000 h (L80B20)**.

Power factor >0.9.

Photobiological safety class: exempt group.



The right lighting and fixture play a vital role in facilitating sales. This is the reason why LED fixtures with a **CRI-90** are being requested. Therefore, the current trend is geared towards the manufacturing of more flexible fixtures, which also emit an excellent quality of light, while guaranteeing remarkable energy savings and lower maintenance costs.

The Colour Rendering Index (**CRI**) indicates how truthfully the artificial light source is able to reproduce the colours of objects. It varies from a range of **0 to 100**, where **0 represents the minimum** and **100 is the maximum**. Daylight is the best source of light from a physiological point of view because it contains the full colour spectrum. Therefore, a lamp with a high colour rendering index is very important to ensure the wellbeing and comfort of the occupants of a room and it is absolutely necessary in rooms where good visibility is required.

available soon:

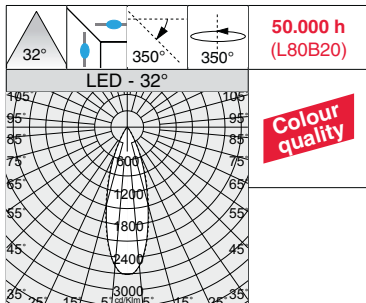


Matrix Q5 DARK "E" - 15°			
CRI>90			
3000 K	22103310-39	745 lm	13 W
4000 K	22103310-00	767 lm	

Matrix Q5 DARK "C" - 15°			
CRI>90			
3000 K	22103311-39	745 lm	13 W
4000 K	22103311-00	767 lm	

Matrix Q10 DARK "E" - 20°			
CRI>90			
3000 K	22103610-39	1285 lm	20 W
4000 K	22103610-00	1325 lm	

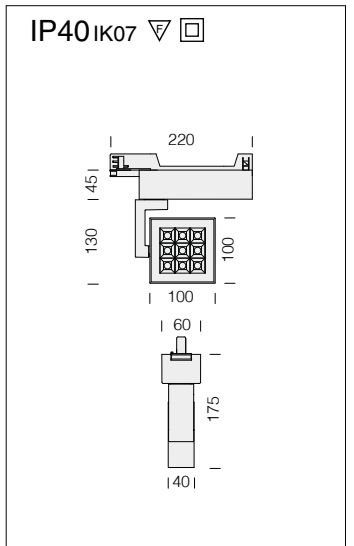
Matrix Q10 DARK "C"			
CRI>90			
3000 K	22103611-39	1285 lm	20 W
4000 K	22103611-00	1325 lm	



50.000 h (L80B20)

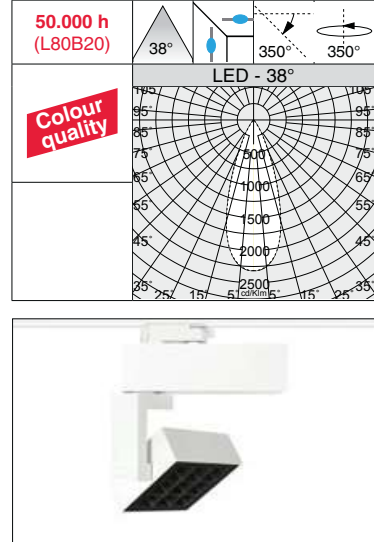
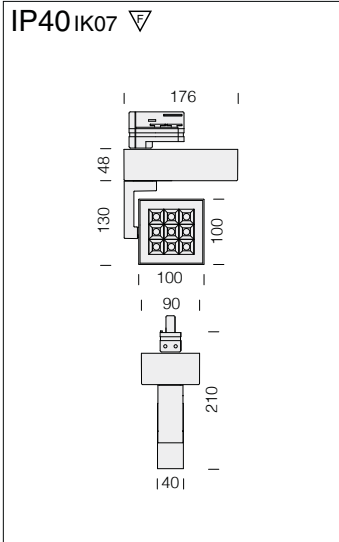
Colour quality

CRI 90



Matrix Q9 DARK "A" - universal adapter							
		CLD CELL		CLD CELLD-DIG (DALI)		W tot	LUMEN OUTPUT (tq= 25 °C) K - ølm - CRI - degrees
LED	colour	weight	code	weight	code		
LED	white	0,75	22103010-00	0,75	22103010-1241	33	3000K - 2185lm - CRI 90 - 32°
	black		22103030-00		22103030-1241		
LED	white	0,75	22103011-00	0,75	22103011-1241	33	4000K - 2349lm - CRI 90 - 32°
	black		22103031-00		22103031-1241		
LED	white	0,75	22103012-00	0,75	22103012-1241	33	3000K - 2246lm - CRI 90 - 38°
	black		22103032-00		22103032-1241		
LED	white	0,75	22103013-00	0,75	22103013-1241	33	4000K - 2415lm - CRI 90 - 38°
	black		22103033-00		22103033-1241		
LED	white	0,75	22103014-00	0,75	22103014-1241	33	3000K - 2260lm - CRI 90 - 50°
	black		22103034-00		22103034-1241		
LED	white	0,75	22103015-00	0,75	22103015-1241	33	4000K - 2431lm - CRI 90 - 50°
	black		22103035-00		22103035-1241		

Dimmable version to be used with OMNITRACK PLUS.

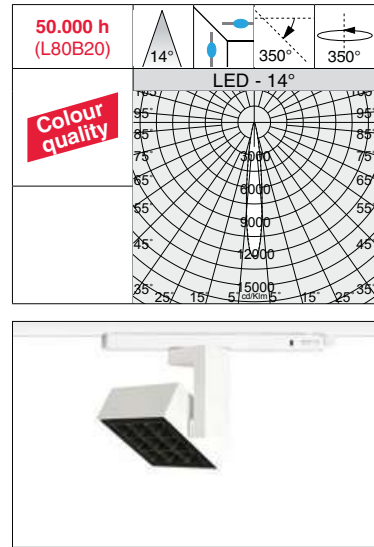
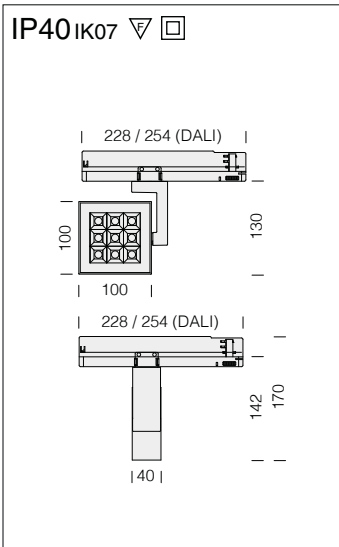


-
-
-
-
-
-
-
-

Matrix Q9 DARK "B" - universal adapter

		CLD CELL		CLD CELLD-DIG (DALI)		LUMEN OUTPUT (tq= 25 °C)	
LED	colour	weight	code	weight	code	W tot	K - ølm - CRI - degrees
LED	white	1,20	22103110-00	1,20	22103110-1241	33	3000K - 2185lm - CRI 90 - 32°
	black		22103130-00		22103130-1241		
LED	white	1,20	22103111-00	1,20	22103111-1241	33	4000K - 2349lm - CRI 90 - 32°
	black		22103131-00		22103131-1241		
LED	white	1,20	22103112-00	1,20	22103112-1241	33	3000K - 2246lm - CRI 90 - 38°
	black		22103132-00		22103132-1241		
LED	white	1,20	22103113-00	1,20	22103113-1241	33	4000K - 2415lm - CRI 90 - 38°
	black		22103133-00		22103133-1241		
LED	white	1,20	22103114-00	1,20	22103114-1241	33	3000K - 2260lm - CRI 90 - 50°
	black		22103134-00		22103134-1241		
LED	white	1,20	22103115-00	1,20	22103115-1241	33	4000K - 2431lm - CRI 90 - 50°
	black		22103135-00		22103135-1241		

Dimmable version to be used with **OMNITRACK PLUS**.



-
-
-
-
-
-
-
-

Matrix Q9 DARK "C" - FS - universal adapter

		CLD CELL		CLD CELLD-DIG (DALI)		LUMEN OUTPUT (tq= 25 °C)	
LED	colour	weight	code	weight	code	W tot	K - ølm - CRI - degrees
LED	white	0,55	22103210-00	0,55	22103210-1241	22	3000K - 1066lm - CRI 90 - 10°
	black		22103230-00		22103230-1241		
LED	white	0,55	22103212-00	0,55	22103212-1241	22	3000K - 998lm - CRI 90 - 14°
	black		22103232-00		22103232-1241		

Dimmable version to be used with **OMNITRACK PLUS**.



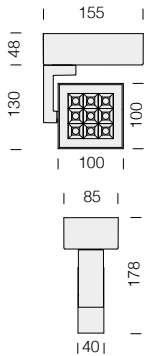
available soon:



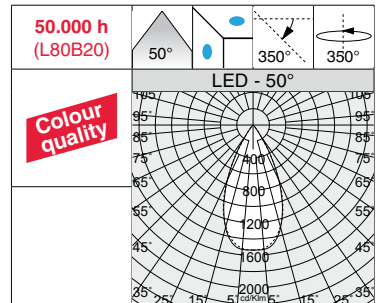
Matrix Q5 DARK "D" - 15°			
CRI>90			
3000 K	22203310-39	745 lm	13 W
4000 K	22203310-00	767 lm	

Matrix Q10 DARK "D" - 20°			
CRI>90			
3000 K	22203610-39	1285 lm	20 W
4000 K	22203610-00	1325 lm	

IP40 IK07



CRI 90

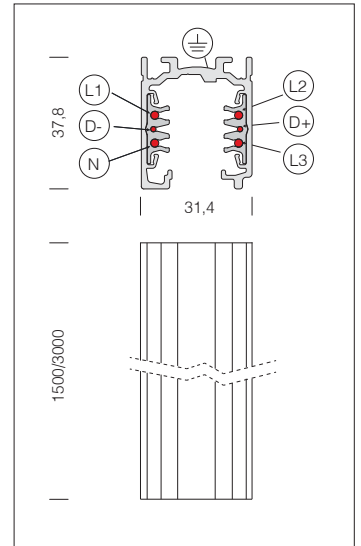
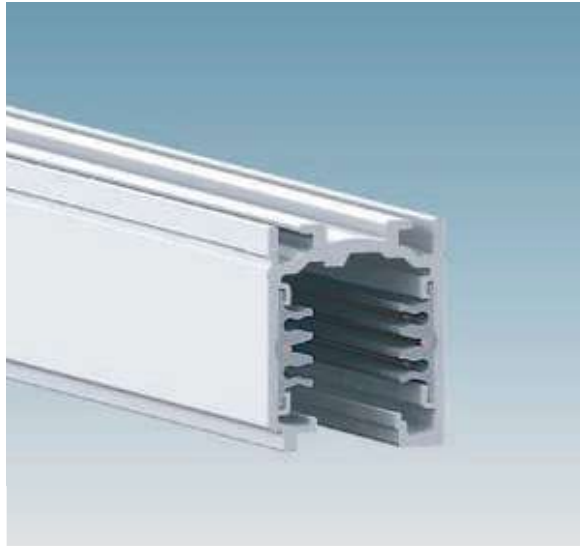


-
-
-
-
-
-
-
-

Matrix Q9 DARK "D" - base

LED	colour	CLD CELL		CLD CELLD-DIG (DALI)		W tot	LUMEN OUTPUT (tq= 25 °C)
		weight	code	weight	code		K - ølm - CRI - degrees
LED	white	1,10	22203010-00	1,10	22203010-1241	33	3000K - 2185lm - CRI 90 - 32°
	black		22203030-00		22203030-1241		
LED	white	1,10	22203011-00	1,10	22203011-1241	33	4000K - 2349lm - CRI 90 - 32°
	black		22203031-00		22203031-1241		
LED	white	1,10	22203012-00	1,10	22203012-1241	33	3000K - 2246lm - CRI 90 - 38°
	black		22203032-00		22203032-1241		
LED	white	1,10	22203013-00	1,10	22203013-1241	33	4000K - 2415lm - CRI 90 - 38°
	black		22203033-00		22203033-1241		
LED	white	1,10	22203014-00	1,10	22203014-1241	33	3000K - 2260lm - CRI 90 - 50°
	black		22203034-00		22203034-1241		
LED	white	1,10	22203015-00	1,10	22203015-1241	33	4000K - 2431lm - CRI 90 - 50°
	black		22203035-00		22203035-1241		

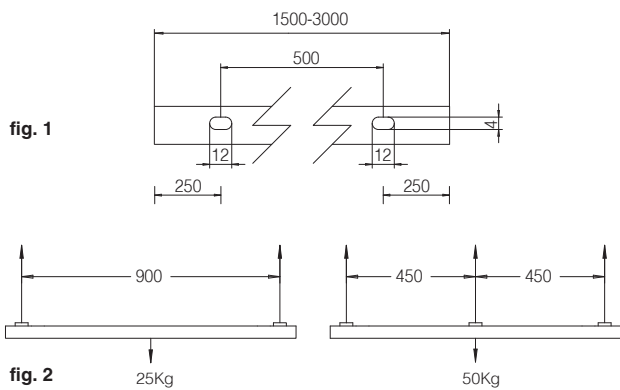
On request: CLD CELL-D (1-10V) version.



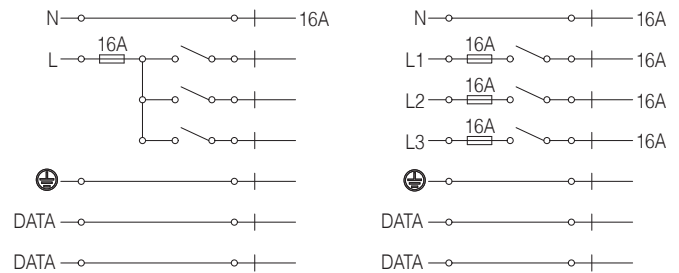
Omnitrack PLUS - DIMM - 6 conductors		
S		
colour	L	code
white	1500	22013310-00
	3000	22013313-00

Omnitrack PLUS 6 conductors: the Omnitrack PLUS track-mounted system is a mixed three-phase system with two additional cables for the management of other signals (for example DALI, DMX, etc).

For direct ceiling or wall mounting, use the slots in the track (**fig.1**).
For suspension mounting with accessories, do not exceed the maximum loads indicated (**fig.2**).



For cable layout, follow the wiring diagrams as shown below:



DIMM - DALI Power adapter	
white	22093615-00
To be used for the dimming of track-mounted spotlights (standard 1-10V).	



Asymmetric power adapter - 6 poles	
white	22093810-00
To be used for the dimming of track-mounted spotlights (standard 1-10V).	

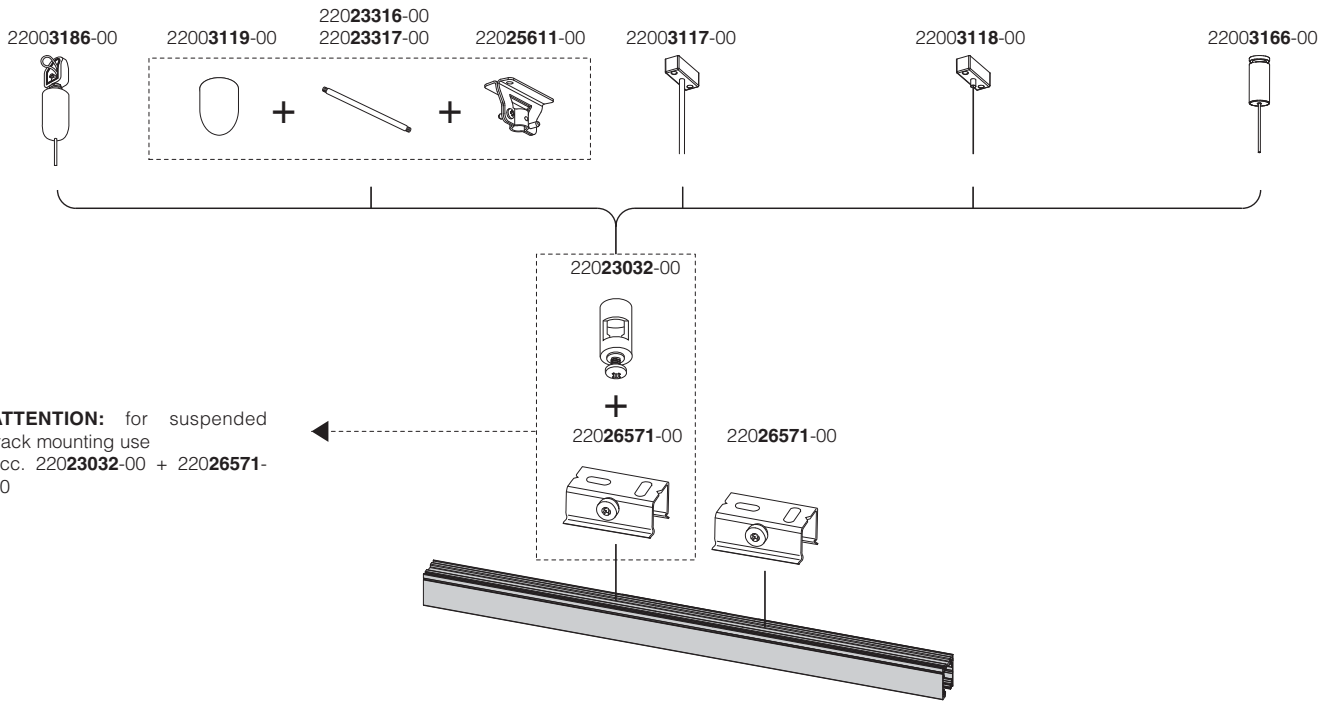


Mechanical adapter	
white	22025704-00
To be used with floodlights weighing more than 6 kgs. We recommend its use for mounting floodlights on a wall track.	



DIMM power adapter+ mechanical adapter	
white	22093715-00
Packaging complete electric + mechanical adapter.	

Accessories with possible combinations for suspension/ ceiling mounting



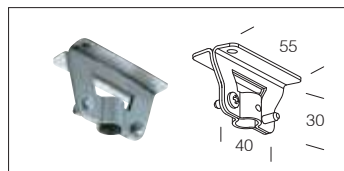
Suspension attachment	
	22023032-00
With millimetre adjustment device. For suspended track mounting use with acc. 22026571-00	



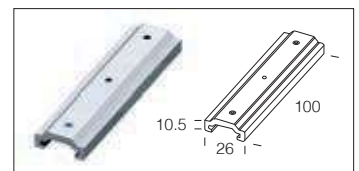
Ceiling Connection	
steel	22026571-00
Device to fasten track to the ceiling or wall, also helps slide the track along its axis.	



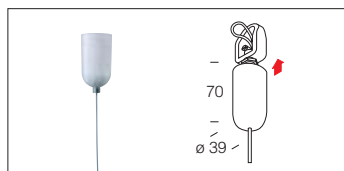
Suspension attachment	
steel	22025611-00
For suspension installation using a Ø10 rod. Max load: 30 kgs. Use with acc. 22003119-00.	



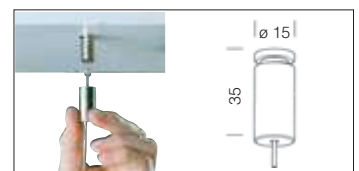
bracket	
aluminium	22026619-00
It permits mechanical connection of track. Use with acc. 22026218-00.	



Ceiling suspension	
white	22003186-00
With steel wire (l = 1.5 m) and millimetre adjustment device. Max load: 20 kg.	



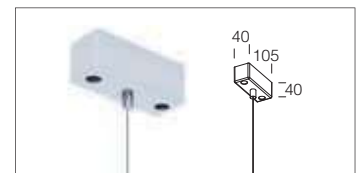
Suspension	
galvanised	22003166-00
Supplied with steel wire (l=1,75m) and millimetre adjustment device. Max load: 20 kg.	



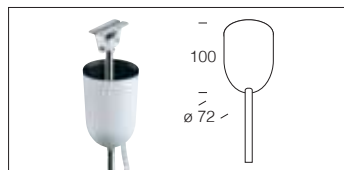
Suspension with rods	
white	22003117-00
Complete with rods. Max loading: 30Kg. Length: 50cm - ø10 mm.	



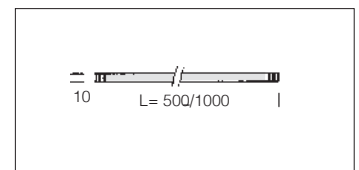
Suspension with wire	
white	22003118-00
Complete with steel wire (l = 100 cm) and millimetre adjustment device. Max load: 20 kg.	



Ceiling rose for suspension rod	
white	22003119-00
Finishing cup to be applied with Ø 10 rods. Use with acc. 22025611-00.	



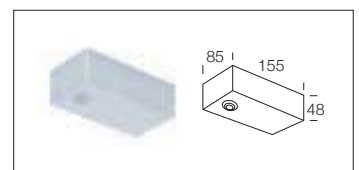
Rods Ø 10 - white	
L=500	22023316-00
L=1000	22023317-00
For suspension mounting in combination with acc. 22025611-00 or with acc. 22023032-00.	

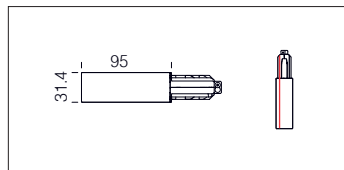
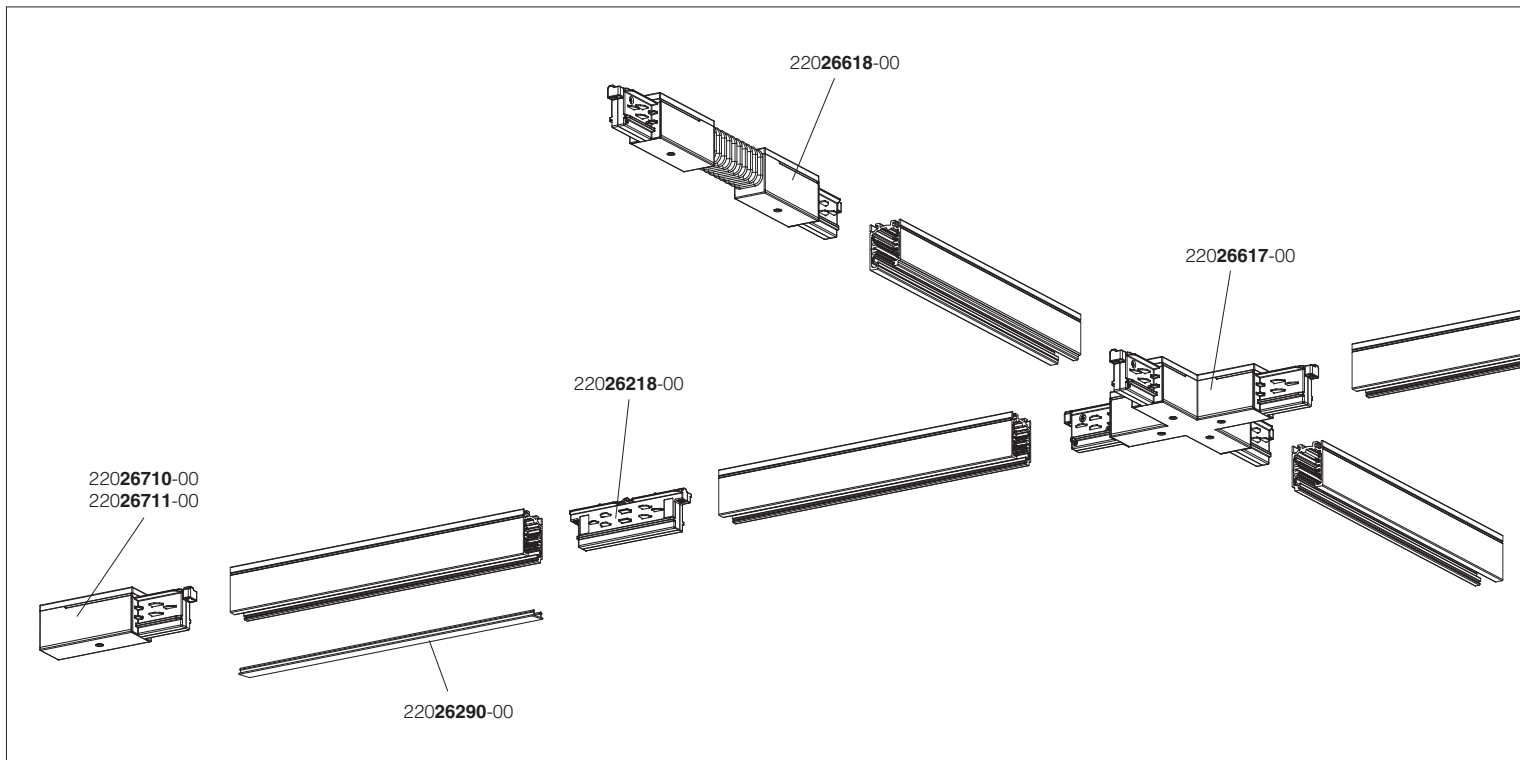


Suspension wire	
steel	22005226-00
100 mt. wire	

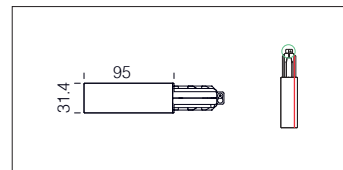


Connection base	
white	on request
Electrical connection base for 7 cables	

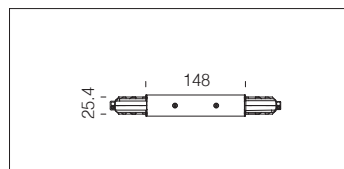




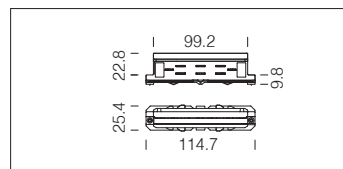
Power supply - sx	
white	22026710-00
For track power supply.	



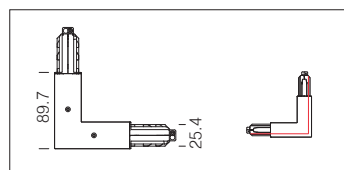
Power supply - dx	
white	22026711-00
For track power supply.	



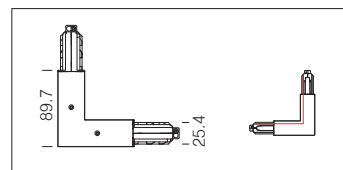
Linear joint	
white	22026612-00
It permits electric and mechanical connection.	



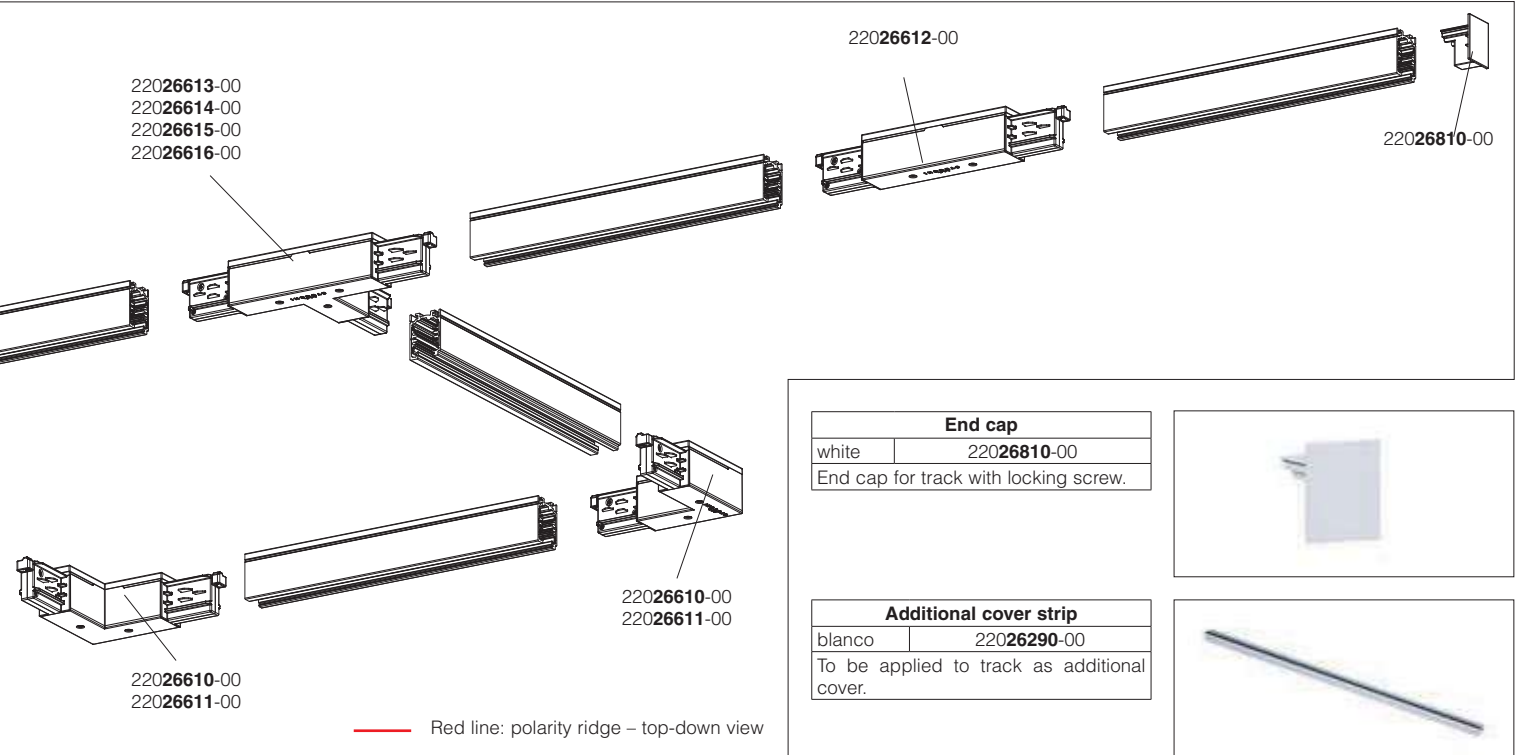
Linear joint	
white	22026618-00
For perfect alignment of powered tracks and power connection. Use with acc. 22026619-00.	



External L-shaped Joint	
white	22026610-00
It provides "external" electric connection and mechanical connection.	



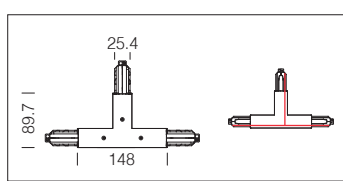
Internal L-shaped joint	
white	22026611-00
It provides "internal" electric connection and mechanical connection.	



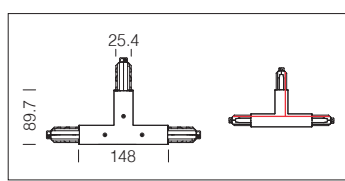
End cap	
white	22026810-00
End cap for track with locking screw.	



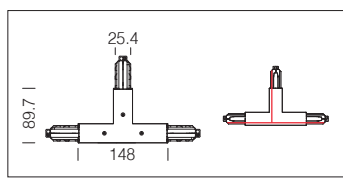
Additional cover strip	
blanco	22026290-00
To be applied to track as additional cover.	



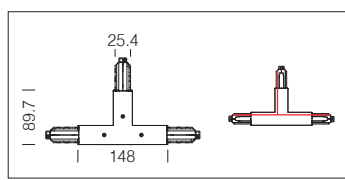
T-shaped, right sided joint	
white	22026613-00
It provides "right-sided" electric connection and mechanical connection for the T-shaped joint.	



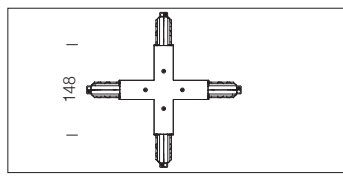
T-shaped, right sided joint	
white	22026614-00
It provides "right-sided" electric connection and mechanical connection for the T-shaped joint.	



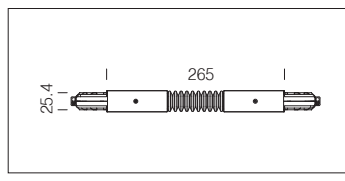
T-shaped, left sided joint	
white	22026616-00
It provides "left-sided" electric connection and mechanical connection for the T-shaped joint.	



T-shaped, left sided joint	
white	22026615-00
It provides "left-sided" electric connection and mechanical connection for the T-shaped joint.	

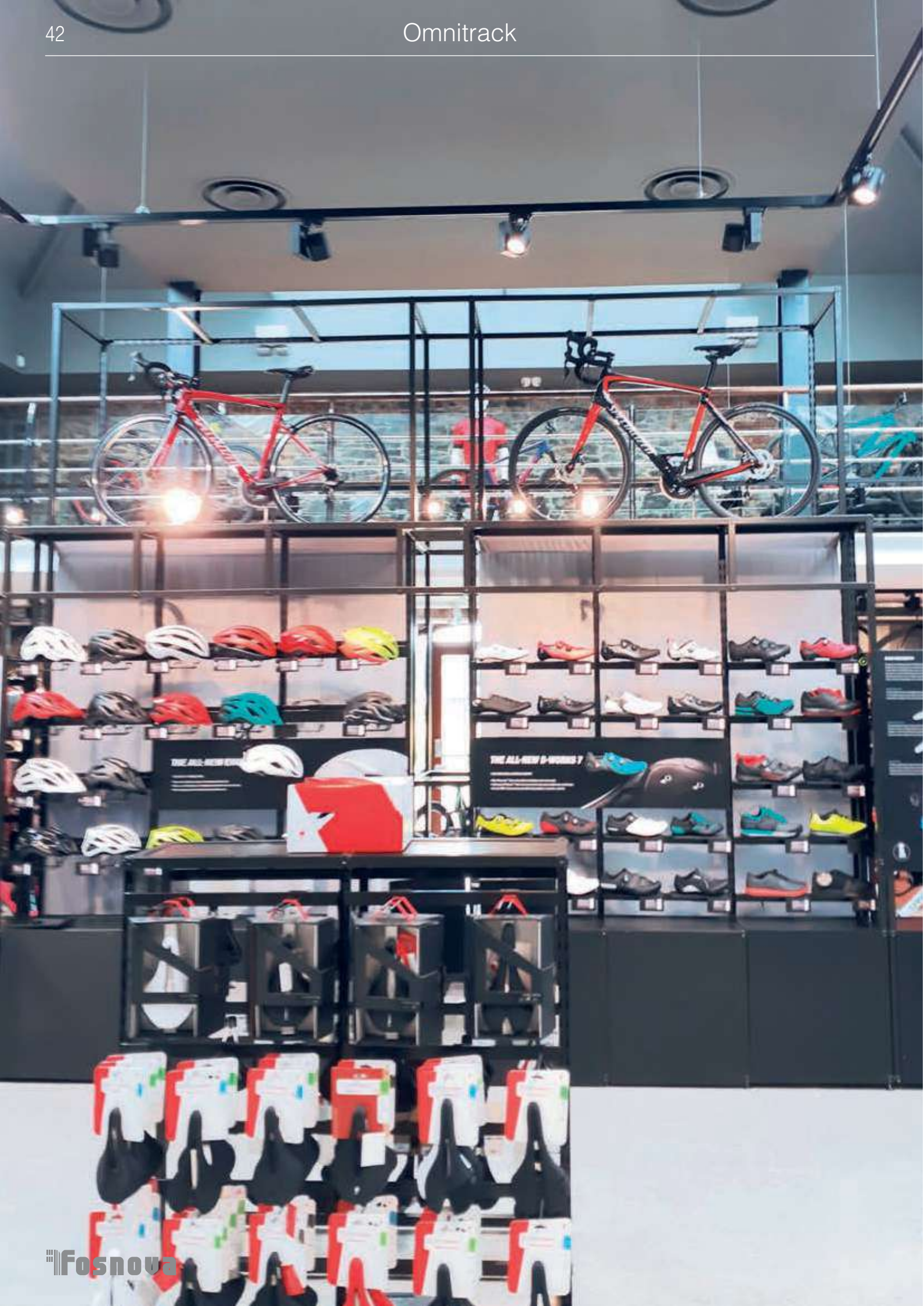


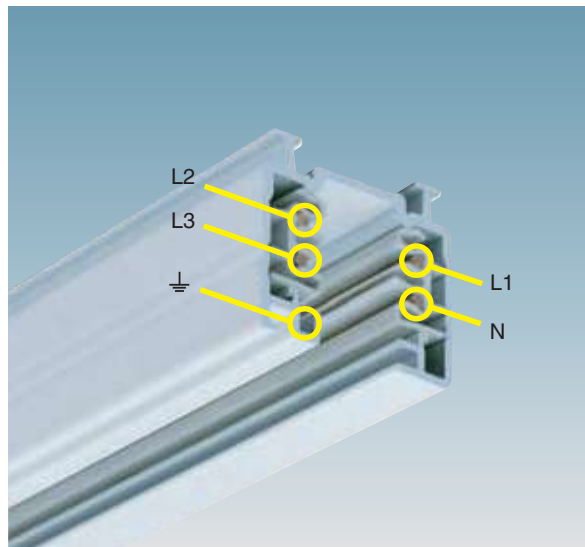
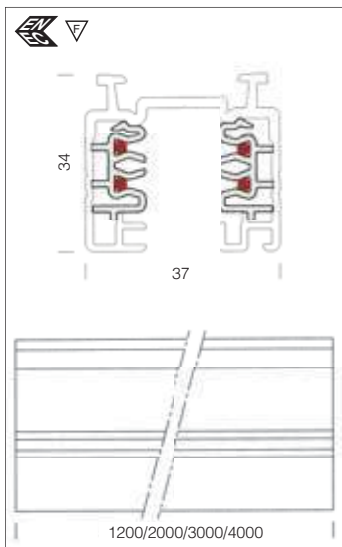
Cross joint	
white	22026617-00
It provides "cross-shaped" electric connection and mechanical connection.	



Flexible joint	
white	22026618-00
It provides electric connection and mechanical connection.	





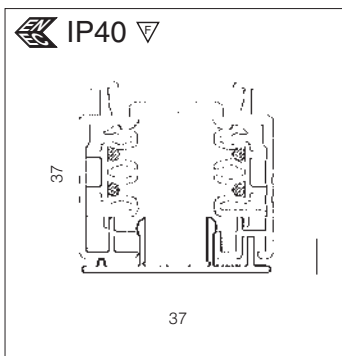
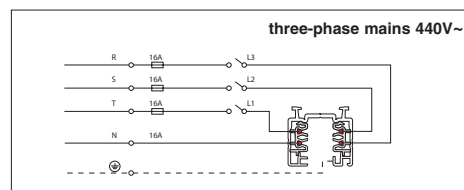
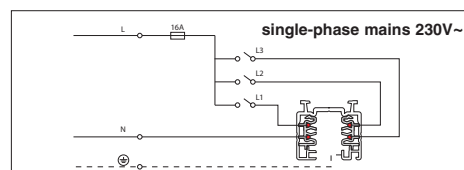


Housing: Three-phase track for 3 separate electrical circuits. Extruded aluminium rectangular section, containing an insulating PVC profile with 4 copper leads, while the profile itself provides the system's grounding. Maximum load: 16A for each conductor.

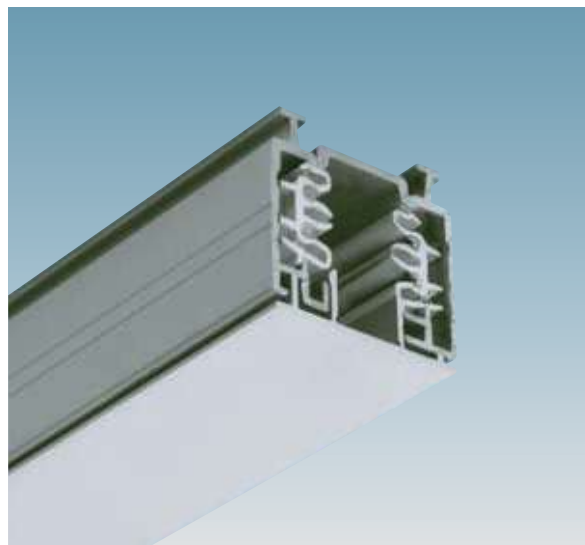
Supplied with one end cap. Along the top of the track are slots to be used for fastening or recesses for insertion of accessories. Omnitrack is designed to accommodate most adapters available on the market. On request, Omnitrack can be easily cut to the desired lengths.

Omnitrack 3 circuit track			
m	colour	S	
		weight	code
1,20	white Al. track	1,30	22015011-00
2,00		2,00	22015112-00
3,00		3,00	22015213-00
1,20	black Al. track	1,30	22015031-00
2,00		2,00	22015132-00
3,00		3,00	22015233-00
1,20	oxy. Al. track	1,30	22015071-00
2,00		2,00	22015172-00
3,00		3,00	22015273-00
4,00		4,00	22015374-00

Supplied with cap.



Complete with cover (50cm), in this case the track complies with IP40 rating, in compliance with the CEI EN 60529 standard.



Omnitrack with IP40 cover			
m	colour	S	
		weight	code
1,20	oxy. Al. track	0,60	22015072-00
2,00		2,40	22015173-00
3,00		3,60	22015274-00
4,00		4,80	22015375-00

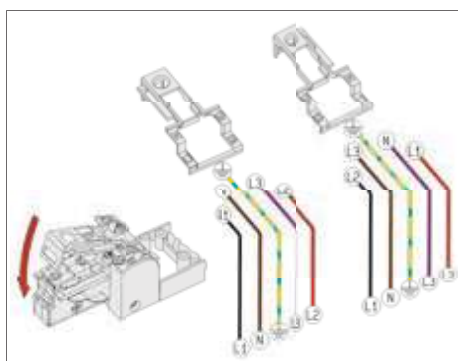




Power supply

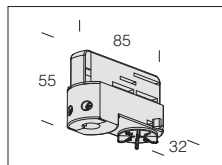
colour	weight	code
white	0.09	220 25102 -00
grey		220 25110 -00
black		220 25131 -00
dark grey		220 25174 -00

Provides power to the track. Quick-connect with a guide pawl and an accessory for the selection of phase-neutral position. It allows the power cable to be inserted either into the end cap or into the top.



Universal power adapter ø10

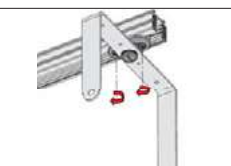
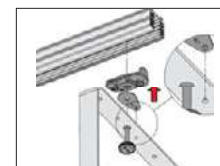
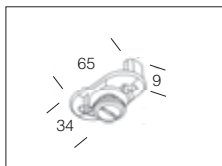
colour	code
white	220 93415 -00
black	220 93435 -00
grey	220 93475 -00



Mechanical adapter

white	220 25704 -00
grey	220 25710 -00
black	220 25731 -00

To be used with floodlights weighing more than 6 kgs. We recommend its use for mounting floodlights on a wall track. Max load: 20 kg.



Universal power adapter + mechanical adapter

white	220 93515 -00
black	220 93535 -00
grey	220 93575 -00

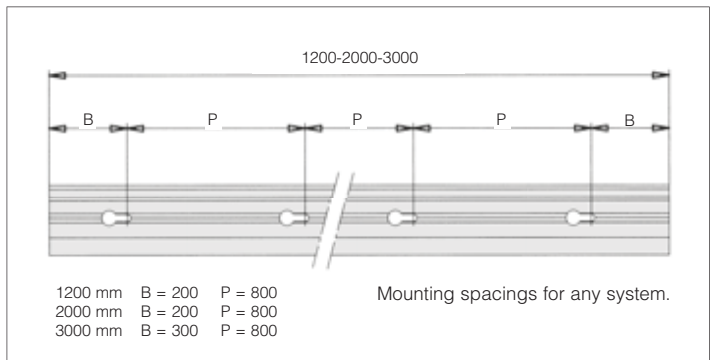
Packaging complete electric + mechanical adapter.





It allows the power cable to be inserted either into the end cap or from the top.

The power supply includes an accessory for the choice of different phases and ground contacts.



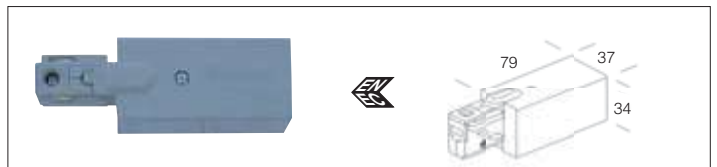
Power supply			
material	colour	weight	code
polycarbonate	white	0,09	22025102-00
	grey		22025110-00
	black		22025131-00

For track power supply. Quick-connect with a guide pawl and an accessory for the selection of phase-neutral position; it allows linear, L-shaped, T-shaped or cross-joint connections.



Power supply			
material	colour	weight	code
polycarbonate	dark grey	0,09	22025174-00

For track power supply. Quick-connect with a guide pawl and an accessory for the selection of phase-neutral position; it allows linear, L-shaped, T-shaped or cross-joint connections.



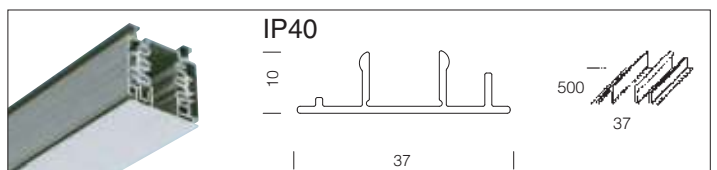
End cap			
material	colour	weight	code
polycarbonate	white	0,01	22025505-00
	grey		22025510-00
	black		22025536-00

To be used when the track is cut into several pieces.



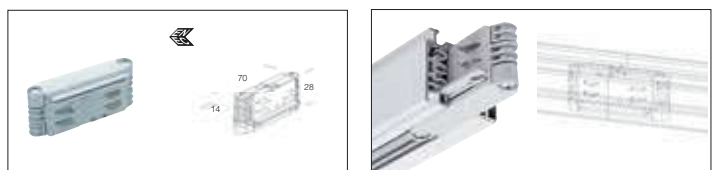
OmniTrack with IP40 cover			
size	colour	weight	code
500	white Al. track	0,10	22025515-00
	black Al. track		22025533-00
	oxy. Al. track		22025572-00

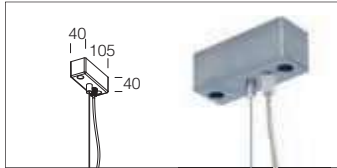
To be applied to OmniTrack track as a cover, in this case the track complies with IP40 rating, according to CEI EN 60529 standard.



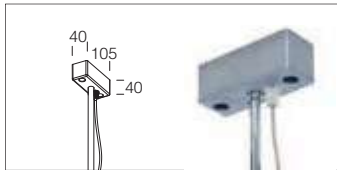
Linear joint			
material	colour	weight	code
polycarbonate	white	0,08	22025404-00
	grey		22025410-00
	black		22025435-00
	dark grey		22025175-00

For perfect alignment of POWERED TRACKS and power connection. Quick-connect with a guide pawl.

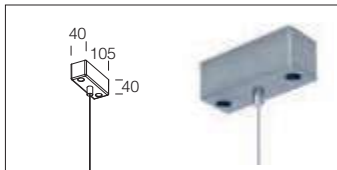




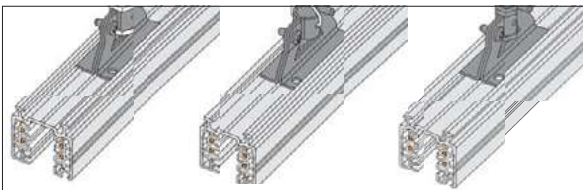
Powered suspension with wire - 3 p.	
silver	22003174-00
white	22003190-00
Supplied with steel wire (L = 100cm) and millimetre adjustment device and power cord. Max loading: 20Kg.	



Powered suspension with rods	
silver	22003175-00
white	22003116-00
Complete with power cord and rods. Max loading: 30Kg. Length: 50cm - ø10 mm.	



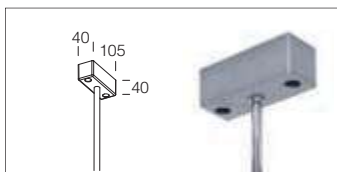
Suspension with wire	
silver	22003176-00
white	22003118-00
Complete with steel wire (L = 100cm) and millimetre adjustment device. Max load: 20 kg.	



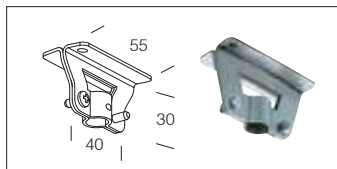
The track is equipped with a slot for direct ceiling installation without accessories, or for suspension installation.

The slot enables:

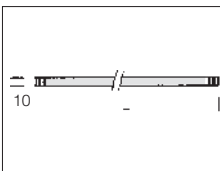
- suspension with Ø 13 rod
- steel wire suspension
- direct ceiling installation by means of fisher screws.



Sospensione semplice con tiges	
silver	22003177-00
white	22003117-00
Completa di tiges. Carico max.: 30Kg. Lunghezza 50cm - ø10 mm.	



Suspension attachment	
steel	22025611-00
For suspension installation using a Ø10 rod, steel wire acc. 22003106/86-00 or 22003187/07-00. Optionally, it can be made to slide along the track's axis. Max load: 20 kg. with steel wire and 30 kgs with rods.	

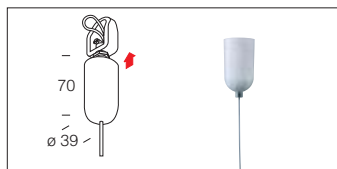
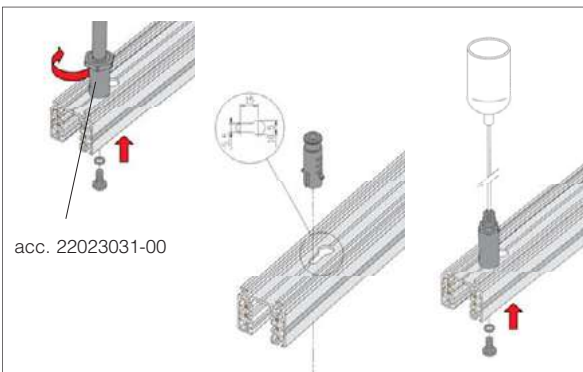


Rods Ø 10	
black	22023336-00
	22023337-00
For suspension mounting in combination with acc. 22025611-00 or with acc. 22023032-00.	

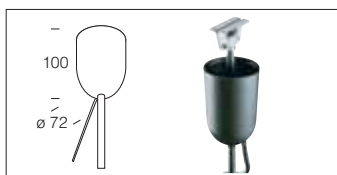


Suspension attachment rods ø 13	
steel	22023031-00
To be used with rods Ø13. Max load 20 kg every 35 cm.	

Suspension attachment	
	22023032-00
With millimetre adjustment device to be used with acc. 22003106/86/07/87/66-00.	



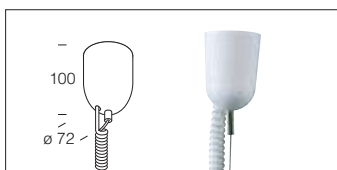
Ceiling suspension	
white	22003186-00
black	22003106-00
With steel wire (l = 1.5 m) and millimetre adjustment device. Max load: 20 kg.	



Ceiling rose for suspension rod	
white	22003119-00
black	22003139-00
Finishing cup to be applied with Ø 10 rods.	



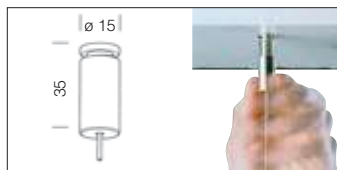
Suspension wire	
steel	22005226-00
100 mt. wire	



Powered ceiling suspension 3 p.	
white	22003187-00
black	22003107-00
With steel wire (l=1.5m), adjustment device, and power cord. Max load: 20 kg.	



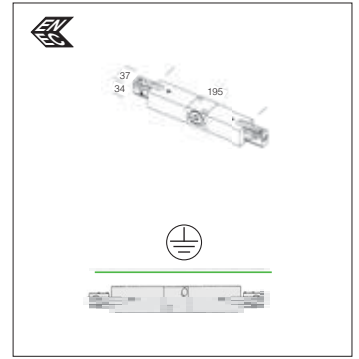
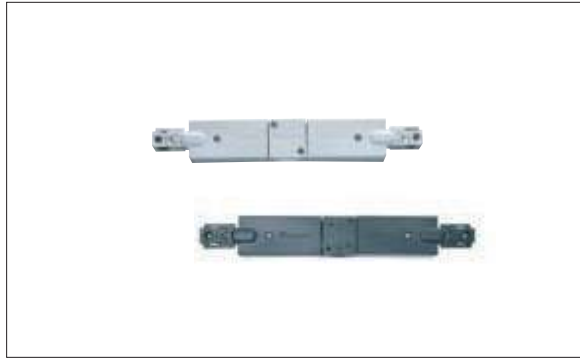
Ceiling Connection	
steel	22025610-00
Device to fasten track to the ceiling or wall, also helps slide the track along its axis. Max load: 20 kg. every 35 cm.	



Suspension attachment	
nickel-plated	22003166-00
Suspension system supplied with steel wire (l=1.75m) with a millimetre adjustable device. Max load: 20 kg.	

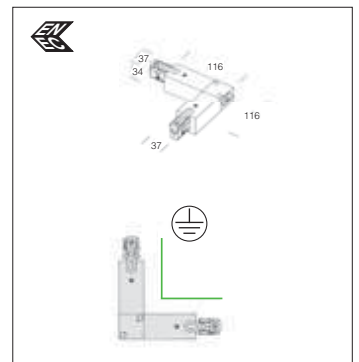
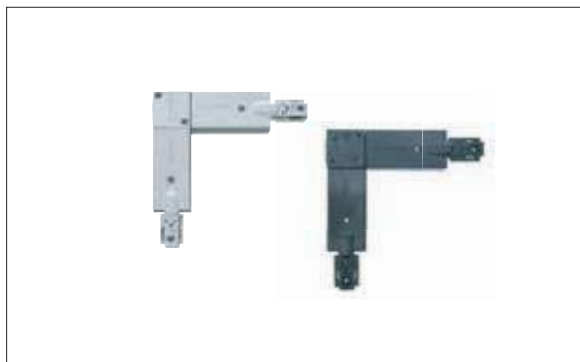
Made of polycarbonate.
 Preassembled component, ready to use. It permits electric and mechanical connection. Includes three end plugs and power cable.

Linear joint		
colour	weight	code
white	0.20	22025104-00
grey		22025111-00
black		22025132-00



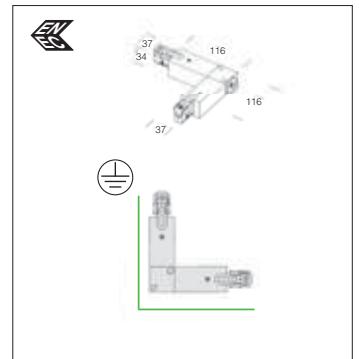
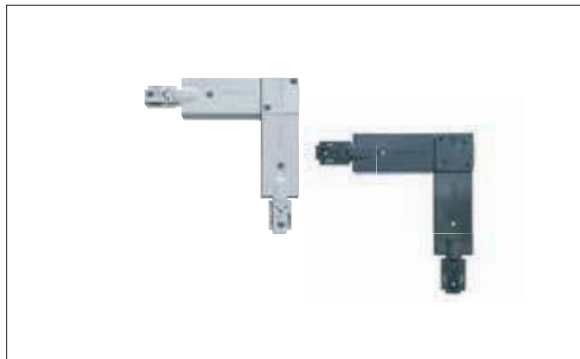
Made of polycarbonate.
 Preassembled, ready to use component. It provides "internal" electric connection and mechanical connection for the L-shaped joint. Supplied with three end plugs and power cable.

Internal L-shaped joint		
colour	weight	code
white	0.20	22025106-00
grey		22025113-00
black		22025134-00



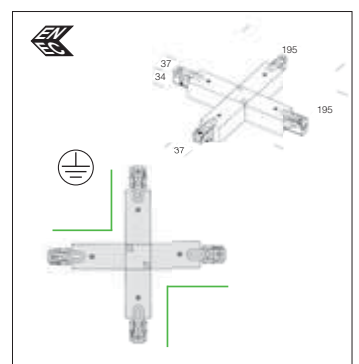
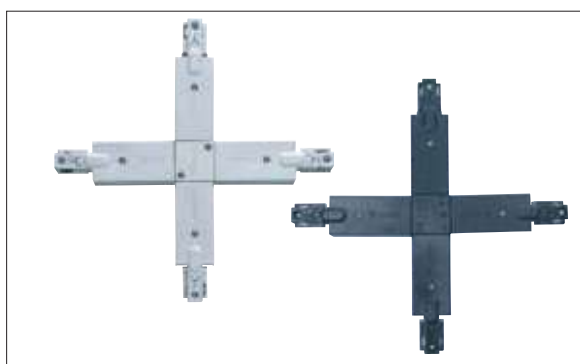
Made of polycarbonate.
 Preassembled component, ready to use. It permits "external" electric connection and mechanical connection for the L-shaped joint. Includes three end plugs and power cable.

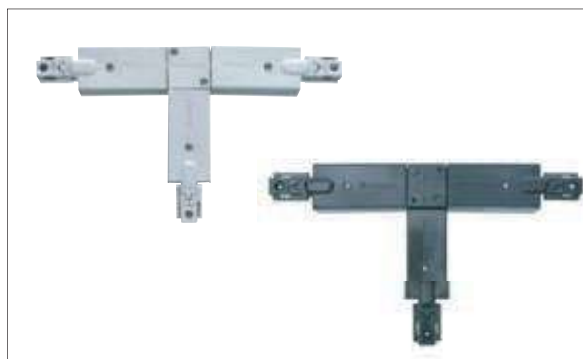
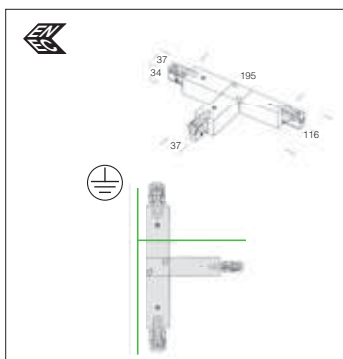
External L-shaped Joint		
colour	weight	code
white	0.20	22025105-00
grey		22025112-00
black		22025133-00



Made of polycarbonate. Preassembled, ready to use component. It provides "cross-shaped" electric connection and mechanical connection. Supplied with one end plug and power cable.

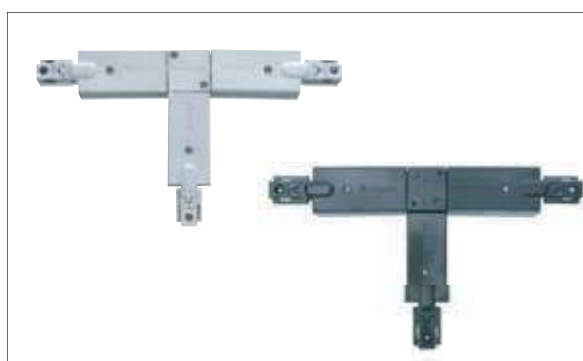
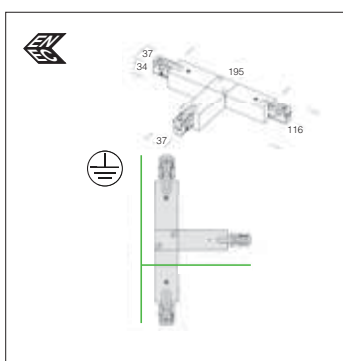
Cross joint		
colour	weight	code
white	0.40	22025109-00
grey		22025116-00
black		22025137-00





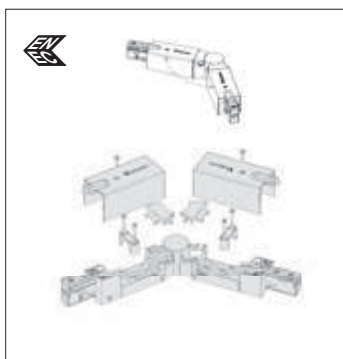
Made of polycarbonate. Preassembled, ready to use component. It provides "left-sided" electric connection and mechanical connection for the T-shaped joint. Supplied with 2 end plugs and power cable.

T-shaped, left sided joint		
colour	weight	code
white	0.30	220 25108 -00
grey		220 25115 -00
black		220 25136 -00



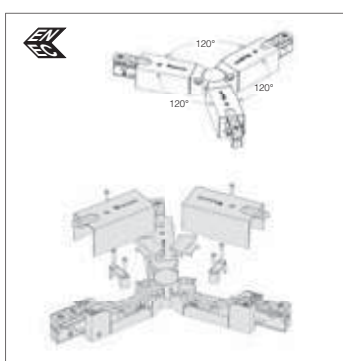
Preassembled component, ready to use. It permits "right-sided" electric connection and mechanical connection for the T-shaped joint. Includes 2 end plugs and power cable.

T-shaped, right-sided Joint		
colour	weight	code
white	0.30	220 25117 -00
grey		220 25114 -00
black		220 25135 -00



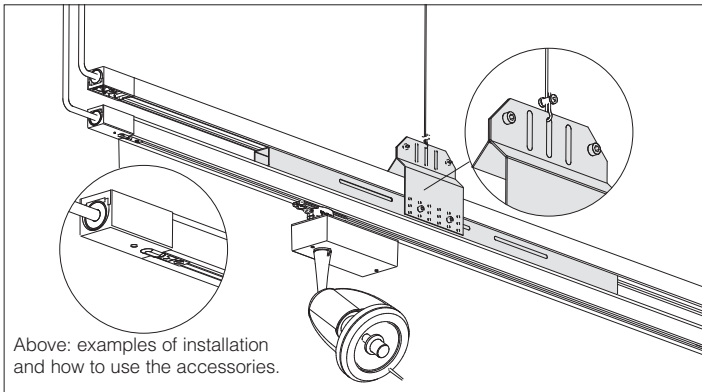
Enables power connection and junction with variable angles.

Circular 2-way Joint		
colour	weight	code
white	0.20	220 25117 -00
grey		220 25171 -00
black		220 25138 -00

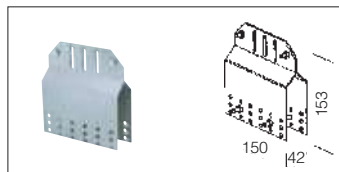


Enables power connection and junction with 120° fixed angles.

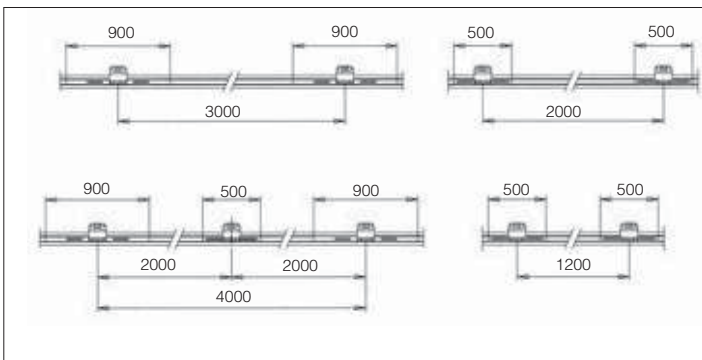
Circular 3-way Joint		
colour	weight	code
white	0.30	220 25118 -00
grey		220 25173 -00
black		220 25139 -00



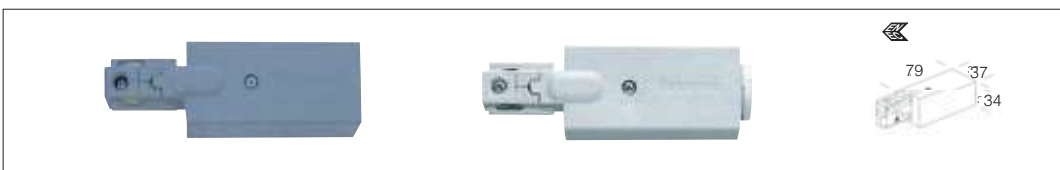
This structure is obtained by using the appropriate accessories with the OMNITRACK track. The 2-way track's main feature is the possibility to use it as an electrified track for accent light floodlights (lower side), and as a load-bearing system to support a ceiling fixture for general lighting.



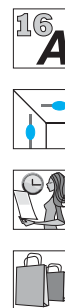
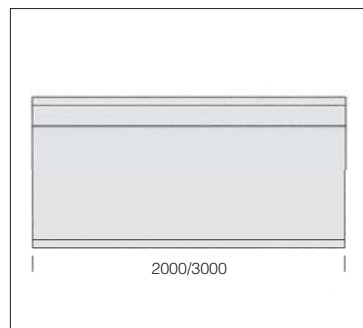
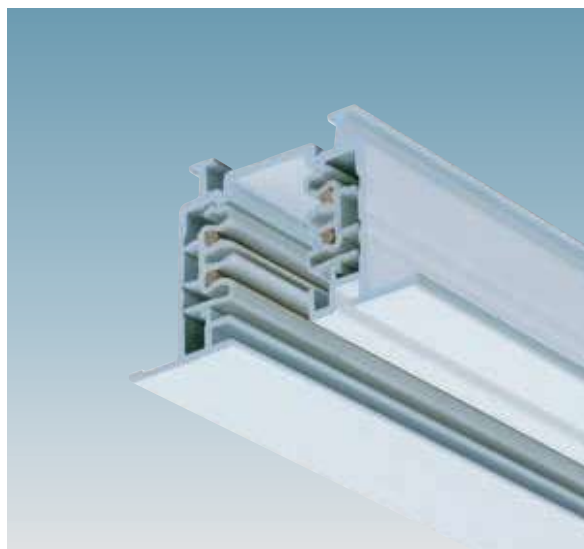
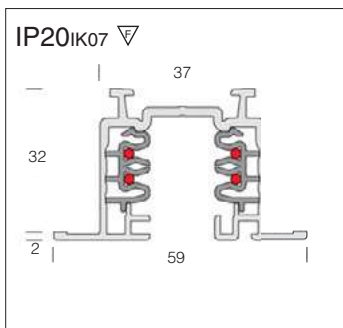
Bracket suspension	
steel	22024870-00
For suspension and installation of two Omnitrack tracks.	



Track bracket		
steel	L=500	22024875-00
	L=900	22024879-00
Made in steel. To join two Omnitracks and to attach bracket acc. 22024870-00.		



Power supply	
white	22025102-00
grey	22025110-00
black	22025131-00
dark grey	22025174-00
Provides power to the track.	

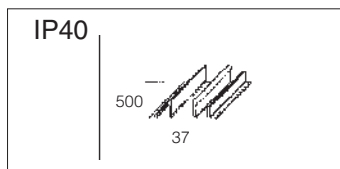


Recessed Omnitrack			
		S	
m	colour	weight	code
2.00	Al. ox. nat.	2.70	22015572-00
	white		22015513-00
3.00	Al. ox. nat.	4.00	22015674-00
	white		22015616-00

Complete with one cap.

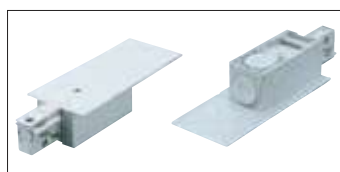
Cover for IP40			
500	0,10	white Al.track	22025515-00
		black Al. track	22025533-00
		Al. ox. nat.	22025572-00

Length = 500mm. To be installed as covers on Omnitrack tracks, in this case the track complies with IP40 rating, in compliance with the CEI EN 60529 standard.

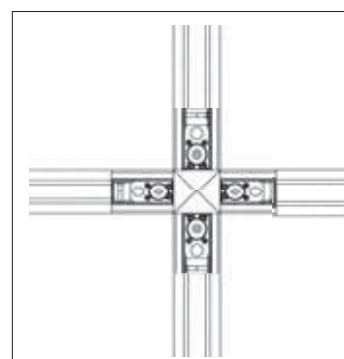
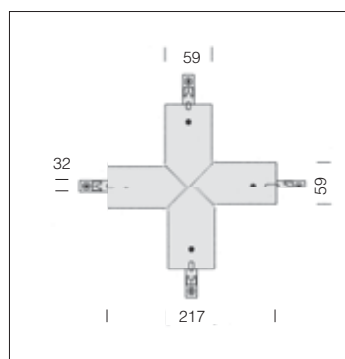
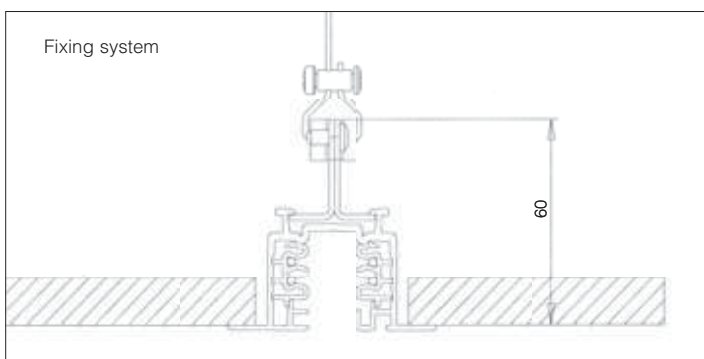
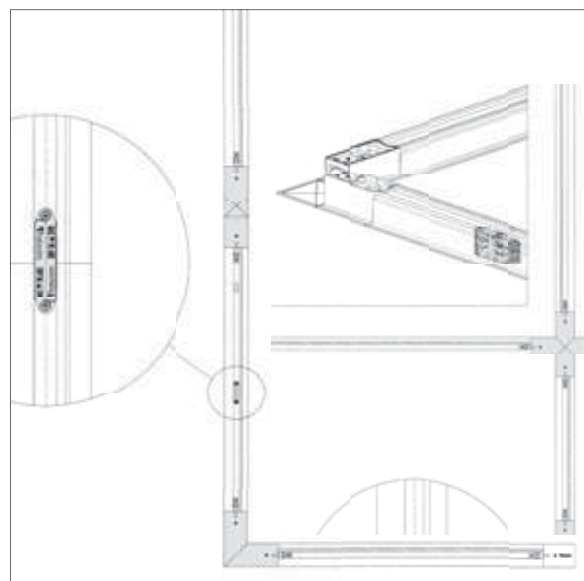
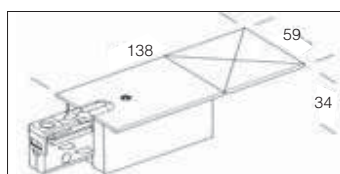


Recessed power supply		
white	0.20	22024710-00
grey	0.20	22024772-00

Provides power to the track. Quick-connected with a guide pawl and an accessory for selection of phase-neutral position. It allows input of the power cable. It allows linear, L-shaped, T-shaped or cross-joint connections.



Straight joint		
polycarbonate	white	22025404-00
	grey	22025410-00
	black	22025435-00
	m. grey	22025175-00





Recessed downlighters

Office 1 / 2 - DARK  p. 54

Office 1 / 2 - MATT  p. 58

Velvet - IP44   p. 60

Eco Lex  p. 66

Eco Lex Q  p. 72

Studio   p. 74

Milano small  p. 80

Luthor  p. 82

Jet - IP65   p. 86

Jet - IP44   p. 92

iSpot 1/2/3/4   p. 96

iSpot Tech  p. 100

iSpot Architectural  p. 101

Marte   p. 102

Snow - IP65    p. 108

Trimless A    p. 112

Trimless B    p. 120



A family of fixtures designed to combine high energy saving with excellent light quality, to address diverse needs concerning both safety and maintenance. The fixture's design is extremely clean and functional. Manufactured in accordance with standards EN12464 for VDT.

Housing: in V2 shatterproof, self-extinguishing polycarbonate, coated with high-performance aluminium powder and equipped with anti-reflection and anti-glare optics. Perimeter border on the false ceiling has white or aluminium coloured photogravure finishing. Support bracket in galvanised steel with housings for fastening springs made in galvanised steel wire for false ceiling mounting. Shielding at 65°.

Dark light reflector: V2 self-extinguishing polycarbonate; metalized aluminium powder coated through a C.V.D. hard-vacuum process for greater light control and efficiency.

Equipment: includes stainless steel springs ensuring perfect adherence to 1 to 20 mm. thick false ceilings.

Regulations: manufactured in accordance with standards EN60598 – CEI 34 –21. Degree of protection in accordance with standards EN60529.

LED: high-efficiency light sources (**CRI 92**).

Luminous flux maintenance 80%: **50.000 h (L80B20)**.

Power factor >0.9.

Photobiological safety class: exempt group.



The right lighting and fixture play a vital role in facilitating sales. This is the reason why LED fixtures with a **CRI>90** are being requested. Therefore, the current trend is geared towards the manufacturing of more flexible fixtures, which also emit an excellent quality of light, while guaranteeing remarkable energy savings and lower maintenance costs.

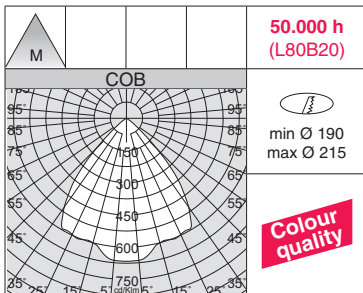
The Colour Rendering Index (**CRI**) indicates how truthfully the artificial light source is able to reproduce the colours of objects. It varies from a range of **0 to 100**, where **0 represents the minimum** and **100 is the maximum**. Daylight is the best source of light from a physiological point of view because it contains the full colour spectrum. Therefore, a lamp with a high colour rendering index is very important to ensure the wellbeing and comfort of the occupants of a room and it is absolutely necessary in rooms where good visibility is required.

Classification of UGR values by applications

UGR	≤ 16	Very demanding applications (technical drawings)
	≤ 19	Offices and schools (reading, writing, business meetings, computer work)
	≤ 22	Industrial applications, craftsmen
	> 28	High glare

The UGR (unified glare rating) is an international unified measure developed by the CIE (Commission International de l'Eclairage) to assess the direct glare generated by a lighting system. The European standard regulating the lighting of indoor work places (**UNI-EN 12464-1**) recommends a specific UGR value for different applications ranging between **10 and 30**; **the lower the UGR value, the lower the glare**. The exact value of this index differs by project type because it depends on the position of the luminaires, room characteristics (dimensions, reflections) and on the point of observation of viewers.

different applications ranging between **10 and 30**; **the lower the UGR value, the lower the glare**. The exact value of this index differs by project type because it depends on the position of the luminaires, room characteristics (dimensions, reflections) and on the point of observation of viewers.

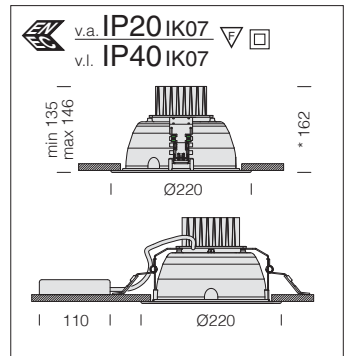


50.000 h (L80B20)

min Ø 190
max Ø 215

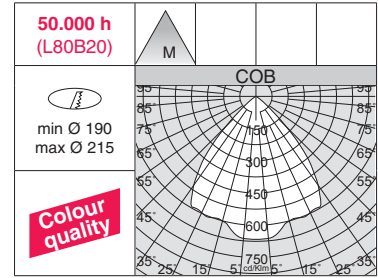
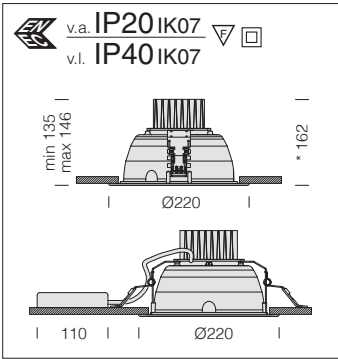
Colour quality

CRI 92

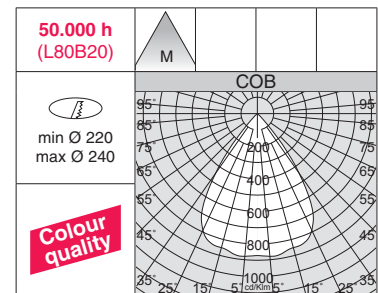
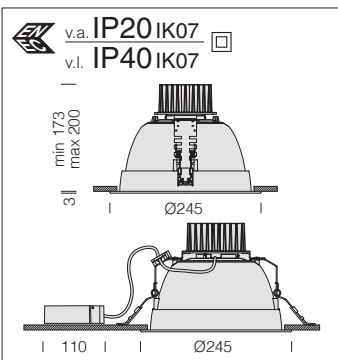


Office 1 - DARK

		CLD CELL	CLD CELLD-DIG (DALI)	CLD CELL-E (1h)	CLD CELL-E (3h)		LUMEN OUTPUT (tq= 25 °C)
LED	colour	code	code	code	code	W tot	K - ølm - CRI
COB	aluminium	22152370-00	22152370-1241	22152370-09	22152370-31	32	3000K - 2701lm - CRI 92
		22152373-00	22152373-1241	22152373-09	22152373-31		4000K - 2831lm - CRI 92
COB	aluminium	22152376-00	22152376-1241	22152376-09	22152376-31	40	3000K - 3228lm - CRI 92
		22152377-00	22152377-1241	22152377-09	22152377-31		4000K - 3384lm - CRI 92



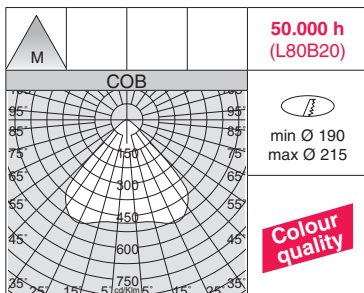
Office 1 - DARK - white rim						
LED	colour	CLD CELL code	CLD CELLD-DIG (DALI) code	CLD CELL-E (1h) code	CLD CELL-E (3h) code	LUMEN OUTPUT (tq= 25 °C)
COB	white	22152314-39	22152314-3941	22152314-0928	22152314-3957	32 3000K - 2701lm - CRI 92 4000K - 2831lm - CRI 92
		22152314-00	22152314-1241	22152314-09	22152314-31	
COB	white	22152315-39	22152315-3941	22152315-0928	22152315-3957	40 3000K - 3228lm - CRI 92 4000K - 3384lm - CRI 92
		22152315-00	22152315-1241	22152315-09	22152315-31	



* 22152811-XX: class I
* 22152575-XX: class I

Office 2 - DARK						
LED	colour	CLD CELL code	CLD CELLD-DIG (DALI) code	CLD CELL-E (1h) code	CLD CELL-E (3h) code	LUMEN OUTPUT (tq= 25 °C)
COB	aluminium	22152576-39	22152576-3941	22152576-0928	22152576-3957	20 3000K - 1813lm - CRI 92 4000K - 1950lm - CRI 92
		22152572-39	22152572-3941	22152572-0928	22152572-3957	
COB 3000	aluminium	22152572-00	22152572-1241	22152572-09	22152572-31	27 3000K - 2225lm - CRI 92 4000K - 2392lm - CRI 92
		22152573-39	22152573-3941	22152573-0928	22152573-3957	
COB 4500	aluminium	22152573-00	22152573-1241	22152573-09	22152573-31	40 3000K - 3567lm - CRI 92 4000K - 3835lm - CRI 92
		22152570-39	22152570-3941	22152570-0928	22152570-3957	
COB	aluminium	22152570-00	22152570-1241	22152570-09	22152570-31	27 3000K - 2225lm - CRI 92 4000K - 2392lm - CRI 92
		22152571-39	22152571-3941	22152571-0928	22152571-3957	
COB	aluminium	22152571-00	22152571-1241	22152571-09	22152571-31	33 3000K - 3111lm - CRI 92 4000K - 3345lm - CRI 92
		22152574-39	22152574-3941	22152574-0928	22152574-3957	
COB	aluminium	22152574-00	22152574-1241	22152574-09	22152574-31	39 3000K - 3746lm - CRI 92 4000K - 4028lm - CRI 92
		22152575-39	22152575-3941	22152575-0928	22152575-3957	
COB *	aluminium	22152575-00	22152575-1241	22152575-09	22152575-31	54 3000K - 4726lm - CRI 92 4000K - 5082lm - CRI 92
		22152811-39	22152811-3941	22152811-0928	22152811-3957	
COB *	aluminium	22152811-00	22152811-1241	22152811-09	22152811-31	69 3000K - 5638lm - CRI 92 4000K - 6062lm - CRI 92



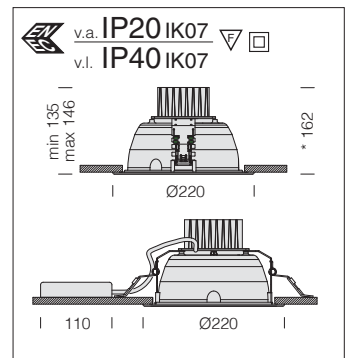


50.000 h (L80B20)

min Ø 190
max Ø 215

Colour quality

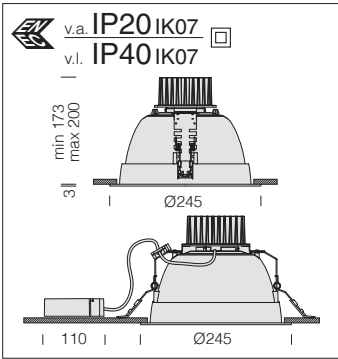
CRI 92



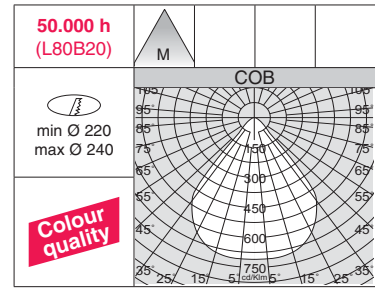
* 22152960-00: class I (h=162mm)

Office 1 - MATT

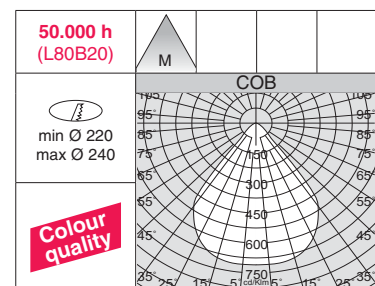
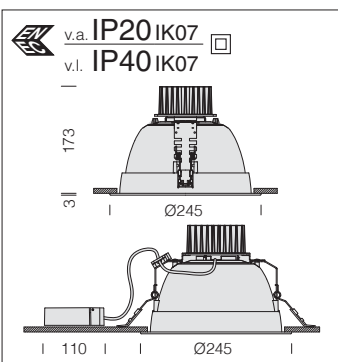
		CLD CELL (ON-OFF)		CLD CELLD-DIG (DALI)	CLD CELL-E (1h)	CLD CELL-E (3h)	LUMEN OUTPUT (tq= 25 °C)	
LED	colour	weight	code	code	code	code	W tot	K - ølm - CRI
COB	matt	1,10	22152415-00	22152415-1241	22152415-09	22152415-31	20	3000K - 2197lm - CRI 92
			22152414-00	22152414-1241	22152414-09	22152414-31		4000K - 2488lm - CRI 92
COB	matt	1,10	22152413-00	22152413-1241	22152413-09	22152413-31	27	3000K - 3084lm - CRI 92
			22152410-00	22152410-1241	22152410-09	22152410-31		4000K - 3172lm - CRI 92
COB	matt	1,10	22152412-00	22152412-1241	22152412-09	22152412-31	35	3500K - 3248lm - CRI 92
			22152961-00	22152961-1241	22152961-09	22152961-31		3000K - 3251lm - CRI 92
LED 3000	matt	1,10	22152961-68	22152961-6841	22152961-6809	22152961-3113	32	4000K - 3479lm - CRI 92
SLM 4500	matt	1,20	22152416-00	22152416-1241	22152416-09	22152416-31	40	3000K - 4674lm - CRI 92
			22152417-00	22152417-1241	22152417-09	22152417-31		4000K - 4804lm - CRI 92
COB	matt	1,50	22152411-00	22152411-1241	22152411-09	22152411-31	39	3000K - 3954lm - CRI 92
			22152411-68	22152411-6841	22152411-6809	22152411-3113		4000K - 4230lm - CRI 92
COB *	matt	1,50	22152960-39	22152960-3941	22152960-0928	22152960-3957	69	3000K - 6263lm - CRI 92
			22152960-00	22152960-1241	22152960-09	22152960-31		4000K - 6734lm - CRI 92



* 22152810-XX: class I



Office 2 - MATT								
LED	colour	CLD CELL (ON-OFF)		CLD CELLD-DIG (DALI)	CLD CELL-E (1h)	CLD CELL-E (3h)	W tot	LUMEN OUTPUT (tq= 25 °C)
		weight	code	code	code	code		K - ølm - CRI
COB 3000	matt	1,20	22152512-00	22152512-1241	22152512-09	22152512-31	27	3000K - 2984lm - CRI 92
			22152512-68	22152512-6841	22152512-6809	22152512-3113		4000K - 3193lm - CRI 92
COB 4500	matt	1,20	22152513-00	22152513-1241	22152513-09	22152513-31	40	3000K - 4515lm - CRI 92
			22152513-68	22152513-6841	22152513-6809	22152513-3113		4000K - 4831lm - CRI 92
COB	matt	1,20	22152515-00	22152515-1241	22152515-09	22152515-31	35	3500K - 3248lm - CRI 92
COB	matt	1,20	22152517-00	22152517-1241	22152517-09	22152517-31	27	3000K - 2984lm - CRI 92
			22152517-68	22152517-6841	22152517-6809	22152517-3113		4000K - 3193lm - CRI 92
COB	matt	1,20	22152519-00	22152519-1241	22152519-09	22152519-31	34	3000K - 3378lm - CRI 92
			22152519-68	22152519-6841	22152519-6809	22152519-3113		4000K - 3614lm - CRI 92
COB *	matt	1,20	22152810-39	22152810-3941	22152810-0928	22152810-3957	69	3000K - 6440lm - CRI 92
			22152810-00	22152810-1241	22152810-09	22152810-31		4000K - 6925lm - CRI 92

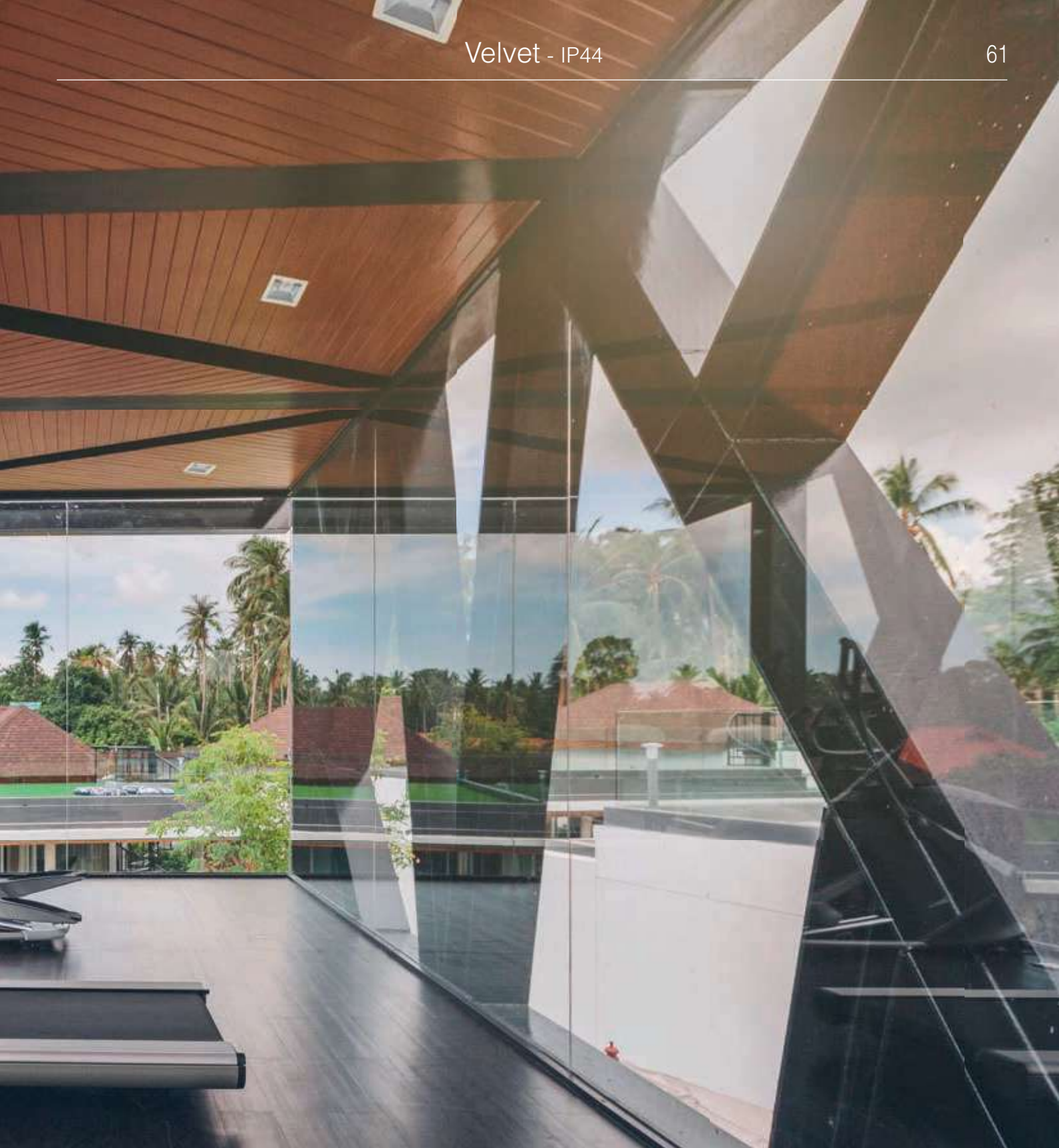


Office 2 - MATT - white rim								
LED	colour	CLD CELL		CLD CELLD-DIG (DALI)	CLD CELL-E (1h)	CLD CELL-E (3h)	W tot	LUMEN OUTPUT (tq= 25 °C)
		weight	code	code	code	code		K - ølm - CRI
COB	white	1,20	22152518-39	22152518-3941	22152518-0928	22152518-3957	34	3000K - 3602lm - CRI 92
			22152518-00	22152518-1241	22152518-09	22152518-31		4000K - 3873lm - CRI 92





A range of recessed spotlights with a round and square shape, incorporating latest generation LED modules. This line of products was created to meet the needs of lighting systems used for the decoration of interior spaces that are becoming more demanding every day. Lighting systems are required to be energy-efficient and flexible in order to define spaces according to different needs, offer striking visual impact, ensure low management costs, and guarantee long service life.



Housing: in die cast aluminium.

Optics: eggcrate screen complete with tempered glass.

Reflector: metallized aluminium.

Installation: is equipped with galvanised steel support brackets, with housing for springs for attachment to the false ceilings.

Coating: using polyester epoxy paint to withstand UV rays.

Standard supply: includes adjustable steel bracket.

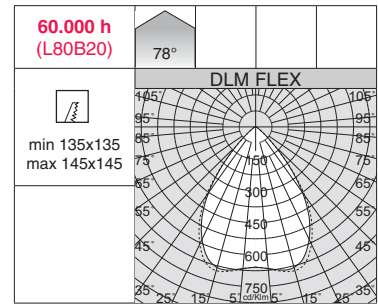
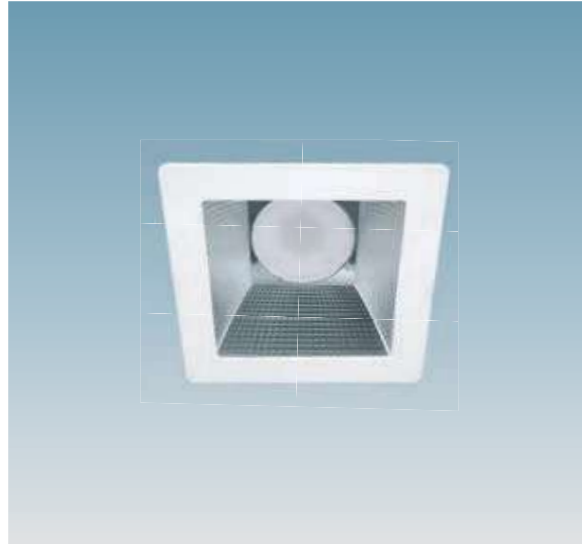
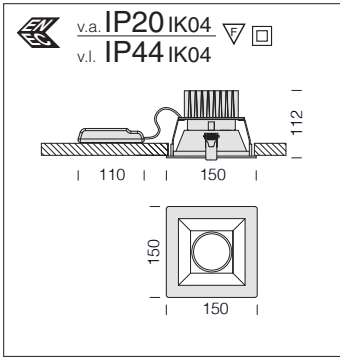
LED: luminous flux maintenance 80%. **60.000 h (L80B20).**

Power factor >0.9.

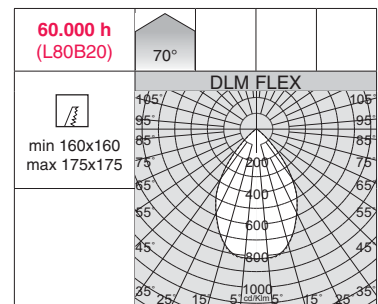
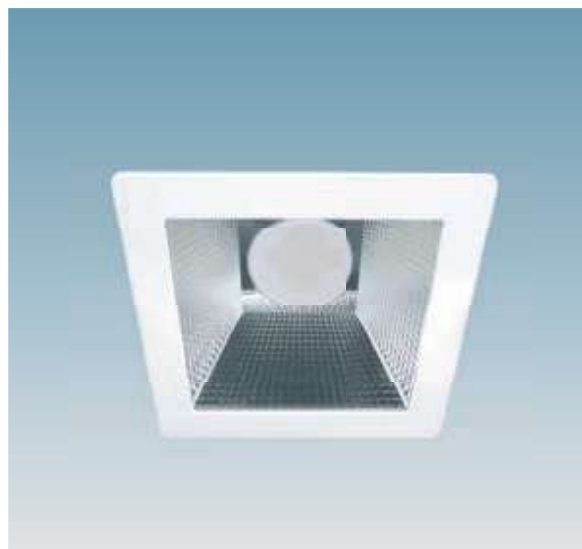
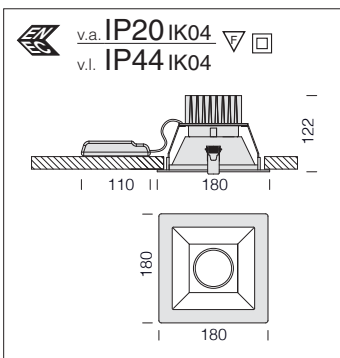
Photobiological safety class: exempt group.

On Request: HCL Version.



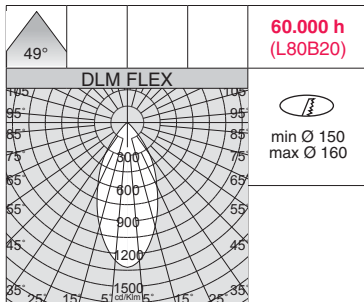


Velvet 1 - DLM FLEX 2000								
LED	colour	weight	CLD CELL code	CLD CELLD-DIG (DALI) code	CLD CELL-E (1h) code	CLD CELL-E (3h) code	W tot	LUMEN OUTPUT (tq= 25 °C)
DLM FLEX 2000	white	1,00	22160115-00	22160115-1241	22160115-09	22160115-31	20	3000K - 1876lm - CRI 80 - 78°
			22160116-00	22160116-1241	22160116-09	22160116-31		4000K - 2054lm - CRI 80 - 78°

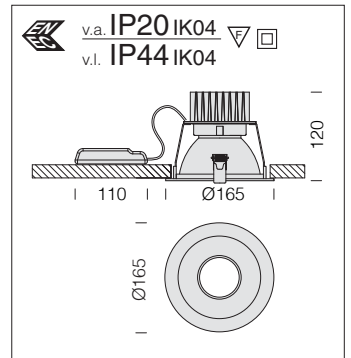


Velvet 2 - DLM FLEX 3000								
LED	colour	weight	CLD CELL code	CLD CELLD-DIG (DALI) code	CLD CELL-E (1h) code	CLD CELL-E (3h) code	W tot	LUMEN OUTPUT (tq= 25 °C)
DLM FLEX 3000	white	1,10	22160215-00	22160215-1241	22160215-09	22160215-31	27	3000K - 2701lm - CRI 80 - 70°
			22160217-00	22160217-1241	22160217-09	22160217-31		4000K - 2772lm - CRI 80 - 70°

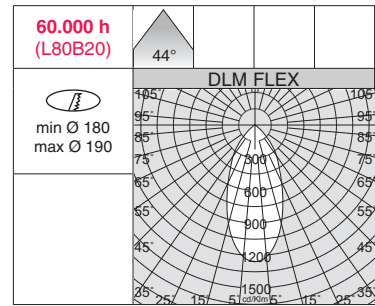
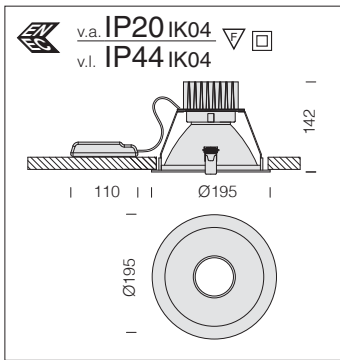
Velvet 2 - DLM FLEX 4000								
LED	colour	weight	CLD CELL code	CLD CELLD-DIG (DALI) code	CLD CELL-E (1h) code	CLD CELL-E (3h) code	W tot	LUMEN OUTPUT (tq= 25 °C)
DLM FLEX 4000	white	1,10	22160216-00	22160216-1241	22160216-09	22160216-31	42	3000K - 3519lm - CRI 80 - 70°
			22160218-00	22160218-1241	22160218-09	22160218-31		4000K - 3796lm - CRI 80 - 70°



2 Chromed version available on request.



Velvet 3 - DLM FLEX 2000							
		CLD CELL		CLD CELLD-DIG (DALI)	CLD CELL-E (1h)	CLD CELL-E (3h)	LUMEN OUTPUT (tq= 25 °C)
LED	colour	weight	code	code	code	code	K - ølm - CRI - degrees
DLM FLEX 2000	white	1,00	22160315-00	22160315-1241	22160315-09	22160315-31	20 3000K - 1860lm - CRI 80 - 49°
			22160316-00	22160316-1241	22160316-09	22160316-31	

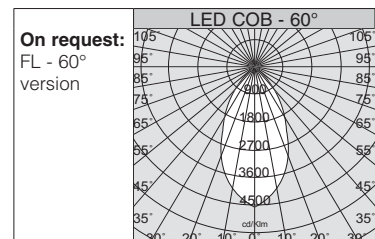
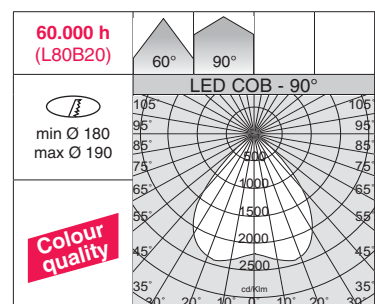
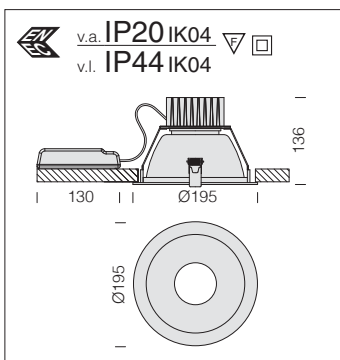


2 Chromed version available on request.



Velvet 4 - DLM FLEX 3000								
LED	colour	weight	CLD CELL code	CLD CELLD-DIG (DALI) code	CLD CELL-E (1h) code	CLD CELL-E (3h) code	W tot	LUMEN OUTPUT (tq= 25 °C)
DLM FLEX 3000	white	1,10	22160415-00	22160415-1241	22160415-09	22160415-31	27	K - ølm - CRI - degrees
			22160417-00	22160417-1241	22160417-09	22160417-31		3000K - 2810lm - CRI 80 - 44° 4000K - 2940lm - CRI 80 - 44°

Velvet 4 - DLM FLEX 4000								
LED	colour	weight	CLD CELL code	CLD CELLD-DIG (DALI) code	CLD CELL-E (1h) code	CLD CELL-E (3h) code	W tot	LUMEN OUTPUT (tq= 25 °C)
DLM FLEX 4000	white	1,10	22160416-00	22160416-1241	22160416-09	22160416-31	42	K - ølm - CRI - degrees
			22160418-00	22160418-1241	22160418-09	22160418-31		3000K - 3968lm - CRI 80 - 44° 4000K - 4162lm - CRI 80 - 44°



Velvet 5 - COB								
LED	colour	weight	CLD CELL code	CLD CELLD-DIG (DALI) code	CLD CELL-E (1h) code	CLD CELL-E (3h) code	W tot	LUMEN OUTPUT (tq= 25 °C)
COB	white	1,10	22160510-00	22160510-1241	22160510-09	22160510-31	32	K - ølm - CRI - degrees
			22160511-00	22160511-1241	22160511-09	22160511-31		3000K - 2898lm - CRI 92 - 90° 4000K - 3095lm - CRI 92 - 90°
COB	white	1,10	22160512-00	22160512-1241	22160512-09	22160512-31	40	K - ølm - CRI - degrees
			22160513-00	22160513-1241	22160513-09	22160513-31		3000K - 3594lm - CRI 92 - 90° 4000K - 3838lm - CRI 92 - 90°



Housing: in die cast aluminium.

Diffuser: the shield consists of a laser-cut slab that serves as a lens for its effect of concentric circles. These decorations create a pattern, with variable distances; the closer they get to the centre, the closer they come together achieving excellent visual comfort without glare.

Painting: dust painted, using polyester epoxy paint to withstand UV rays.

Standard supply: includes adjustable steel bracket.

Regulations: manufactured in accordance with standards EN60598 – CEI 34 –21. Degree of protection in accordance with standards EN60529.

LED: high-efficiency light sources (**CRI 95**).

Luminous flux maintenance 80%: **50.000 h (L80B20)**.

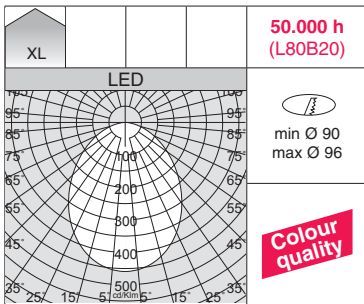
Power factor >0.9.

Photobiological safety class: exempt group.

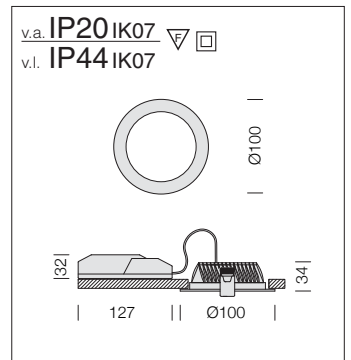


The right lighting and fixture play a vital role in facilitating sales. This is the reason why LED fixtures with a **CRI>90** are being requested. Therefore, the current trend is geared towards the manufacturing of more flexible fixtures, which also emit an excellent quality of light, while guaranteeing remarkable energy savings and lower maintenance costs.

The Colour Rendering Index (**CRI**) indicates how truthfully the artificial light source is able to reproduce the colours of objects. It varies from a range of **0 to 100**, where **0 represents the minimum** and **100 is the maximum**. Daylight is the best source of light from a physiological point of view because it contains the full colour spectrum. Therefore, a lamp with a high colour rendering index is very important to ensure the wellbeing and comfort of the occupants of a room and it is absolutely necessary in rooms where good visibility is required.

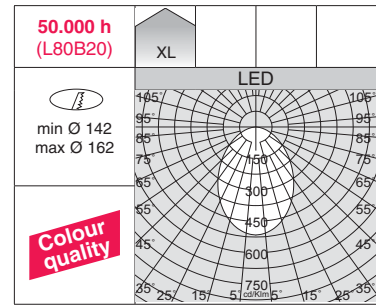
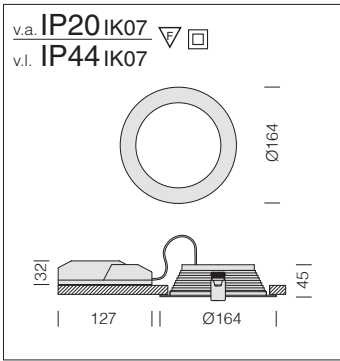


CRI 90
CRI 95



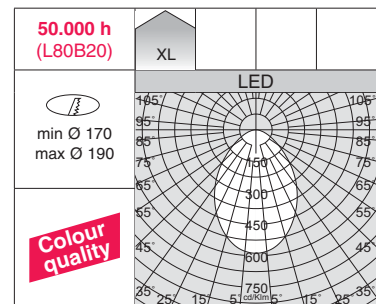
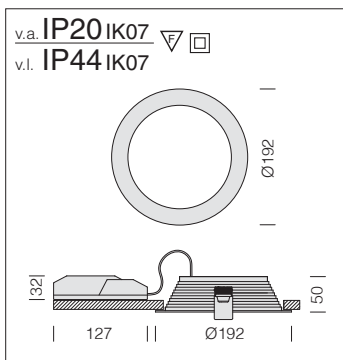
Eco Lex							
		CLD CELL-D (IGBT)	CLD CELL-D-DIG (DALI)	CLD CELL-E (1h)	CLD CELL-E (3h)	LUMEN OUTPUT (tq= 25 °C)	
LED	colour	weight	code	code	code	W tot	K - ølm - CRI
LED	white	0,30	22172904-00	22172904-1241	22172904-09	22172904-31	4000K - 1088lm - CRI 90
			22172903-00	22172903-1241	22172903-09	22172903-31	3000K - 1033lm - CRI 90

Eco Lex - CRI 95							
		CLD CELL-D (IGBT)	CLD CELL-D-DIG (DALI)	CLD CELL-E (1h)	CLD CELL-E (3h)	LUMEN OUTPUT (tq= 25 °C)	
LED	colour	weight	code	code	code	W tot	K - ølm - CRI
LED	white	0,30	22174904-00	22174904-1241	22174904-09	22174904-31	4000K - 1000lm - CRI 95
			22174903-00	22174903-1241	22174903-09	22174903-31	3000K - 960lm - CRI 95



Eco Lex 1								
LED	colour	CLD CELL-D (IGBT)		CLD CELLD-DIG (DALI)	CLD CELL-E (1h)	CLD CELL-E (3h)	W tot	LUMEN OUTPUT (tq= 25 °C)
		weight	code	code	code	code		K - ølm - CRI
LED	white	0,35	22172914-00	22172914-1241	22172914-09	22172914-31	11	4000K - 1041lm - CRI 90
			22172918-00	22172918-1241	22172918-09	22172918-31		3000K - 980lm - CRI 90

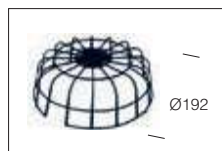
Eco Lex 1 - CRI 95								
LED	colour	CLD CELL-D (IGBT)		CLD CELLD-DIG (DALI)	CLD CELL-E (1h)	CLD CELL-E (3h)	W tot	LUMEN OUTPUT (tq= 25 °C)
		weight	code	code	code	code		K - ølm - CRI
LED	white	0,35	22174914-00	22174914-1241	22174914-09	22174914-31	11	4000K - 967lm - CRI 95
			22174918-00	22174918-1241	22174918-09	22174918-31		3000K - 911lm - CRI 95

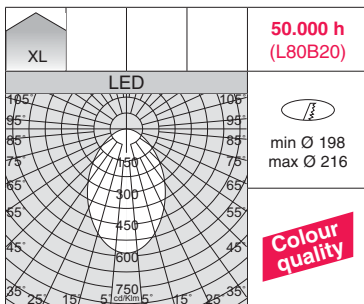


Eco Lex 2								
LED	colour	CLD CELL-D (IGBT)		CLD CELLD-DIG (DALI)	CLD CELL-E (1h)	CLD CELL-E (3h)	W tot	LUMEN OUTPUT (tq= 25 °C)
		weight	code	code	code	code		K - ølm - CRI
LED	white	0,50	22172915-00	22172915-1241	22172915-09	22172915-31	14	4000K - 1380lm - CRI 90
			22172919-00	22172919-1241	22172919-09	22172919-31		3000K - 1303lm - CRI 90

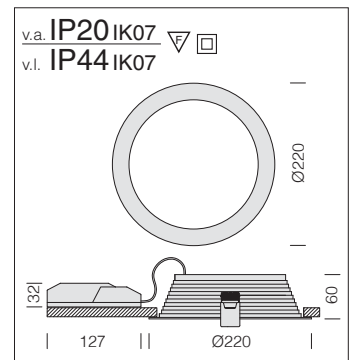
Eco Lex 2 - CRI 95								
LED	colour	CLD CELL-D (IGBT)		CLD CELLD-DIG (DALI)	CLD CELL-E (1h)	CLD CELL-E (3h)	W tot	LUMEN OUTPUT (tq= 25 °C)
		weight	code	code	code	code		K - ølm - CRI
LED	white	0,50	22174915-00	22174915-1241	22174915-09	22174915-31	14	4000K - 1283lm - CRI 95
			22174919-00	22174919-1241	22174919-09	22174919-31		3000K - 1209lm - CRI 95

Protection guard for Eco Lex 2	
black	22095031-00
For insulation in the ceiling.	



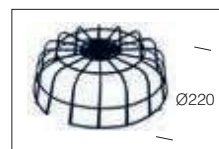


CRI 95

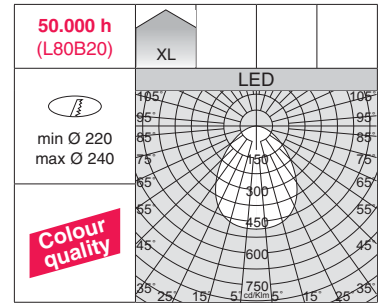
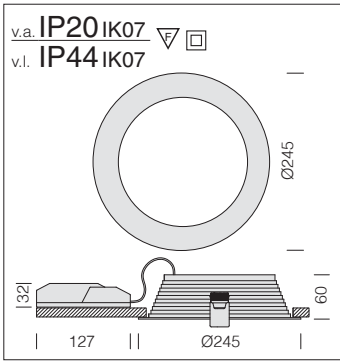


Eco Lex 3							
		CLD CELL-D (IGBT)	CLD CELL-D-DIG (DALI)	CLD CELL-E (1h)	CLD CELL-E (3h)	LUMEN OUTPUT (tq= 25 °C)	
LED	colour	weight	code	code	code	W tot	K - ølm - CRI
LED	white	0,75	22172916-00	22172916-1241	22172916-09	22172916-31	4000K - 2190lm - CRI 90
			22172906-00	22172906-1241	22172906-09	22172906-31	3000K - 2070lm - CRI 90

Eco Lex 3 - CRI 95							
		CLD CELL-D (IGBT)	CLD CELL-D-DIG (DALI)	CLD CELL-E (1h)	CLD CELL-E (3h)	LUMEN OUTPUT (tq= 25 °C)	
LED	colour	weight	code	code	code	W tot	K - ølm - CRI
LED	white	0,75	22174916-00	22174916-1241	22174916-09	22174916-31	4000K - 2036lm - CRI 95
			22174906-00	22174906-1241	22174906-09	22174906-31	3000K - 1925lm - CRI 95

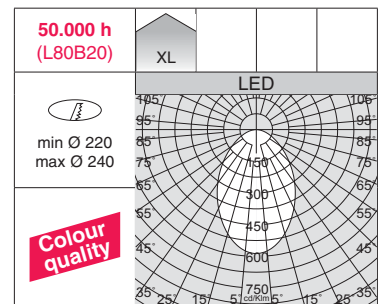
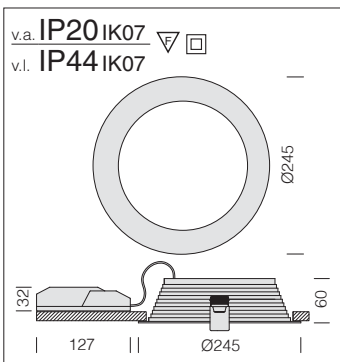


Protection guard for Eco Lex 3	
black	22095032-00
For insulation in the ceiling.	



Eco Lex 4							LUMEN OUTPUT (tq= 25 °C)	
LED	colour	weight	code	code	code	code	W tot	K - ølm - CRI
LED	white	1,00	22172917-00	22172917-1241	22172917-09	22172917-31	32	4000K - 3320lm - CRI 90
			22172907-00	22172907-1241	22172907-09	22172907-31		3000K - 3135lm - CRI 90

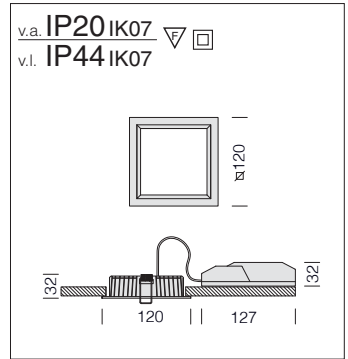
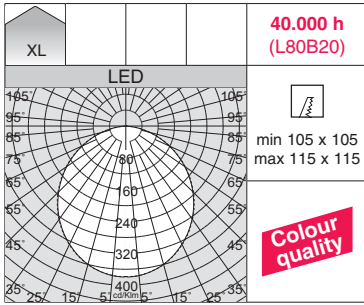
Eco Lex 4 - CRI 95							LUMEN OUTPUT (tq= 25 °C)	
LED	colour	weight	code	code	code	code	W tot	K - ølm - CRI
LED	white	1,00	22174917-00	22174917-1241	22174917-09	22174917-31	32	4000K - 3085lm - CRI 95
			22174907-00	22174907-1241	22174907-09	22174907-31		3000K - 2914lm - CRI 95



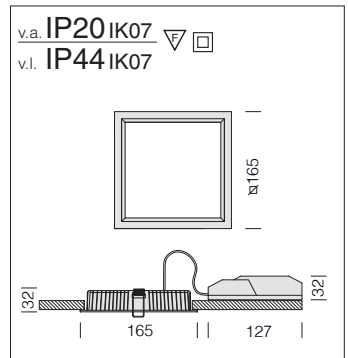
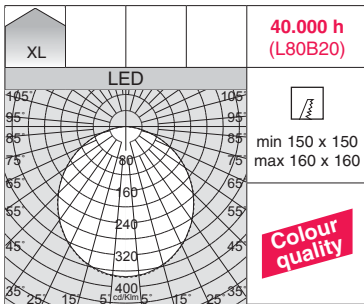
Eco Lex 6 - CRI 95							LUMEN OUTPUT (tq= 25 °C)	
LED	colour	weight	code	code	code	code	W tot	K - ølm - CRI
LED	white	1,00	22174901-00	22174901-1241	22174901-09	22174901-31	21	4000K - 2036lm - CRI 95
			22174902-00	22174902-1241	22174902-09	22174902-31		3000K - 1893lm - CRI 95

Protection guard for Eco Lex 4 - Eco Lex 6	
black	22095033-00
For insulation in the ceiling.	

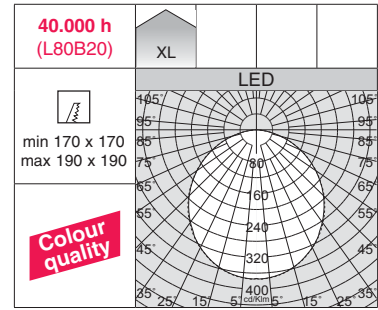
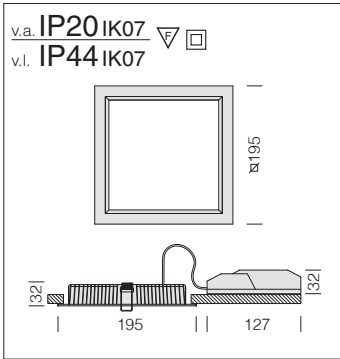




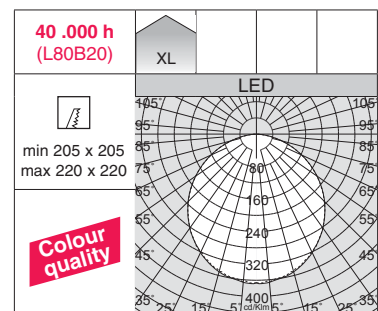
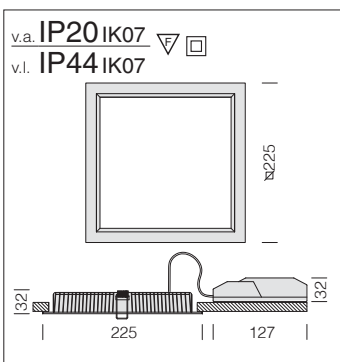
Eco Lex Q1								
		CLD CELL		CLD CELLD-DIG (DALI)	CLD CELL-E (1h)	CLD CELL-E (3h)	LUMEN OUTPUT (tq= 25 °C)	
LED	colour	weight	code	code	code	code	W tot	K - ølm - CRI
LED	white	0,40	22175610-00	22175610-1241	22175610-09	22175610-31	12	4000K - 1015lm - CRI 90
			22175611-00	22175611-1241	22175611-09	22175611-31		3000K - 960lm - CRI 90



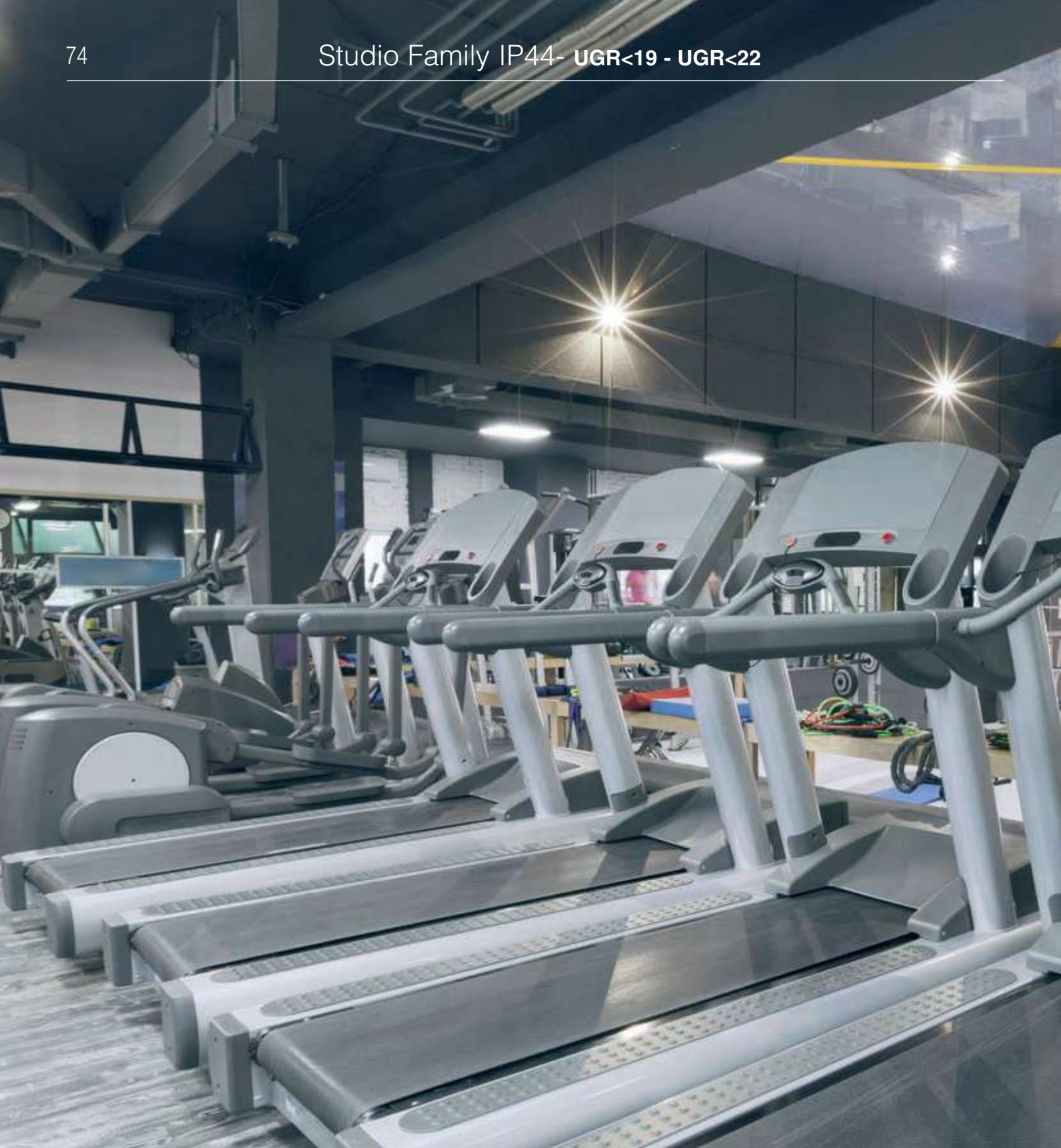
Eco Lex Q2								
		CLD CELL		CLD CELLD-DIG (DALI)	CLD CELL-E (1h)	CLD CELL-E (3h)	LUMEN OUTPUT (tq= 25 °C)	
LED	colour	weight	code	code	code	code	W tot	K - ølm - CRI
LED	white	0,60	22175710-00	22175710-1241	22175710-09	22175710-31	18	4000K - 1565lm - CRI 90
			22175711-00	22175711-1241	22175711-09	22175711-31		3000K - 1515lm - CRI 90



Eco Lex Q3							LUMEN OUTPUT (tq= 25 °C)	
LED	colour	weight	code	code	code	code	W tot	K - olm - CRI
LED	white	0,70	22175810-00	22175810-1241	22175810-09	22175810-31	25	4000K - 2135lm - CRI 90
			22175811-00	22175811-1241	22175811-09	22175811-31		3000K - 2025lm - CRI 90



Eco Lex Q4							LUMEN OUTPUT (tq= 25 °C)	
LED	colour	weight	code	code	code	code	W tot	K - olm - CRI
LED	white	0,90	22175910-00	22175910-1241	22175910-09	22175910-31	33	4000K - 2775lm - CRI 90
			22175911-00	22175911-1241	22175911-09	22175911-31		3000K - 2670lm - CRI 90



Fosnova offers a wide range of recessed spotlights to meet the increasingly demanding lighting needs of shopping malls, stores and museums. This vast selection of fixtures includes the new recessed spotlight called Studio, with its soft and comfortable light and high degree of protection (IP44) capable of creating pleasant settings for relaxation and shopping. Its extraordinary visual comfort combines with an excellent colour rendering (CRI92).

Housing: in die cast aluminium with clear PMMA diffuser.

Reflector UGR<19: oxidised and polished aluminium.

Reflector UGR<22: optics in high gloss, anti-glare aluminium to optimise light efficiency.

Lens UGR<22: in PMMA with high efficiency output and very low glare rate.

LED: Luminous flux maintenance 80%: 50.000h (L80B20).

Power factor >0.9.

Photobiological safety class: exempt group.



The right lighting and fixture play a vital role in facilitating sales. This is the reason why LED fixtures with a **CRI>90** are being requested. Therefore, the current trend is geared towards the manufacturing of more flexible fixtures, which also emit an excellent quality of light, while guaranteeing remarkable energy savings and lower maintenance costs.

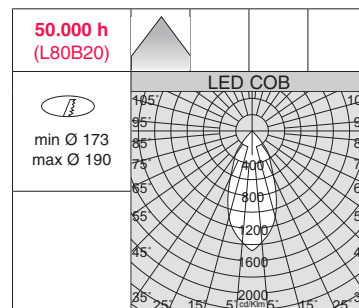
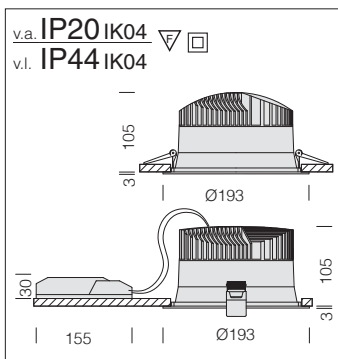
The Colour Rendering Index (**CRI**) indicates how truthfully the artificial light source is able to reproduce the colours of objects. It varies from a range of **0 to 100**, where **0 represents the minimum and 100 is the maximum**. Daylight is the best source of light from a physiological point of view because it contains the full colour spectrum. Therefore, a lamp with a high colour rendering index is very important to ensure the wellbeing and comfort of the occupants of a room and it is absolutely necessary in rooms where good visibility is required.

Classification of UGR values by applications		
UGR	≤ 16	Very demanding applications (technical drawings)
	≤ 19	Offices and schools (reading, writing, business meetings, computer work)
	≤ 22	Industrial applications, craftsmen
	> 28	High glare

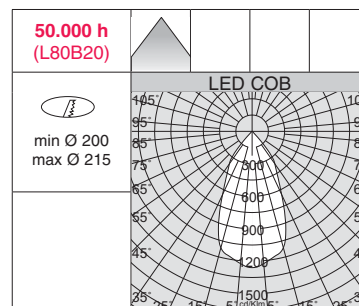
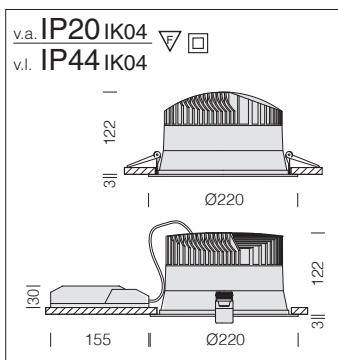
The UGR (unified glare rating) is an international unified measure developed by the CIE (Commission International de l'Eclairage) to assess the direct glare generated by a lighting system. The European standard regulating the lighting of indoor work places (**UNI-EN 12464-1**) recommends a specific UGR value for different applications ranging between **10 and**

30; the lower the UGR value, the lower the glare. The exact value of this index differs by project type because it depends on the position of the luminaires, room characteristics (dimensions, reflections) and on the point of observation of viewers.

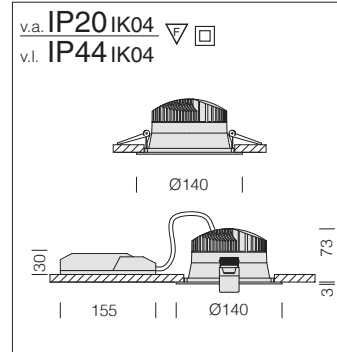
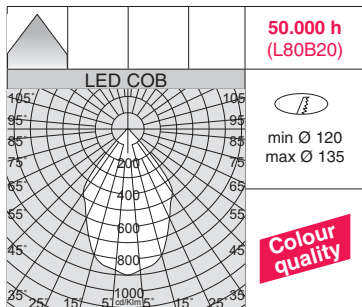




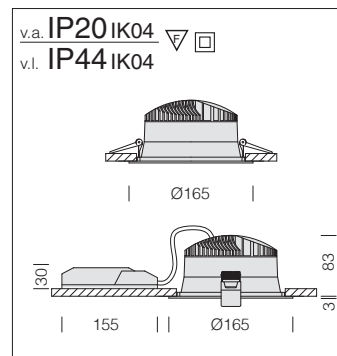
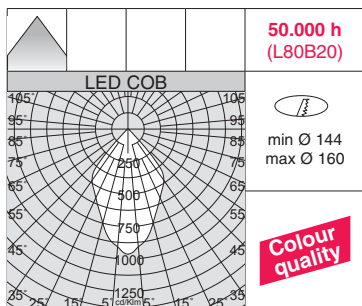
Studio 193							
		CLD CELL	CLD CELLD-DIG (DALI)	CLD CELL-E (1h)	CLD CELL-E (3h)	LUMEN OUTPUT (tq= 25 °C)	
LED	colour	weight	code	code	code	W tot	K - ølm - CRI
COB	white	1,05	22161010-39	22161010-3941	22161010-0928	22161010-3957	3000K - 2914lm - CRI 82
			22161010-00	22161010-1241	22161010-09	22161010-31	4000K - 3133lm - CRI 82



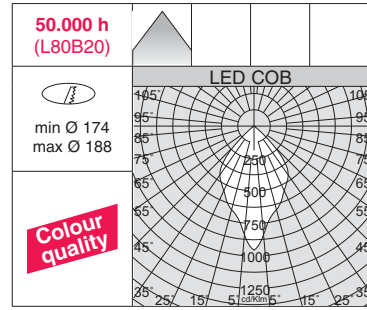
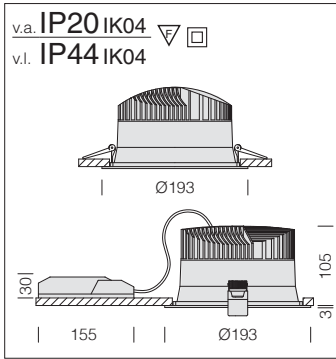
Studio 220							
		CLD CELL	CLD CELLD-DIG (DALI)	CLD CELL-E (1h)	CLD CELL-E (3h)	LUMEN OUTPUT (tq= 25 °C)	
LED	colour	weight	code	code	code	W tot	K - ølm - CRI
COB	white	1,60	22161110-39	22161110-3941	22161110-0928	22161110-3957	3000K - 3480lm - CRI 82
			22161110-00	22161110-1241	22161110-09	22161110-31	4000K - 3741lm - CRI 82



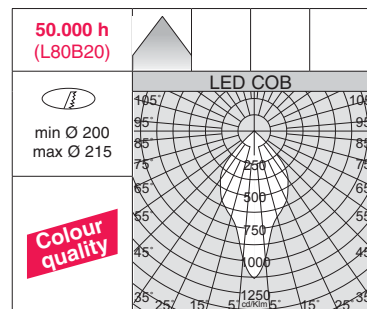
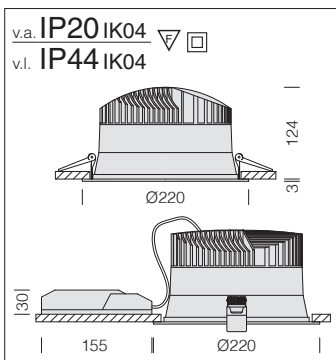
Studio B 140								
		CLD CELL		CLD CELLD-DIG (DALI)	CLD CELL-E (1h)	CLD CELL-E (3h)	LUMEN OUTPUT (tq= 25 °C)	
LED	colour	weight	code	code	code	code	W tot	K - ølm - CRI
COB	white	0,40	22160811-39	22160811-3941	22160811-0928	22160811-3957	14	3000K - 1535lm - CRI 92
			22160811-00	22160811-1241	22160811-09	22160811-31		4000K - 1650lm - CRI 92



Studio B 165								
		CLD CELL		CLD CELLD-DIG (DALI)	CLD CELL-E (1h)	CLD CELL-E (3h)	LUMEN OUTPUT (tq= 25 °C)	
LED	colour	weight	code	code	code	code	W tot	K - ølm - CRI
COB	white	0,60	22160911-39	22160911-3941	22160911-0928	22160911-3957	21	3000K - 2081lm - CRI 92
			22160911-00	22160911-1241	22160911-09	22160911-31		4000K - 2238lm - CRI 92
COB	white	0,60	22160913-39	22160913-3941	22160913-0928	22160913-3957	27	3000K - 2623lm - CRI 92
			22160913-00	22160913-1241	22160913-09	22160913-31		4000K - 2820lm - CRI 92

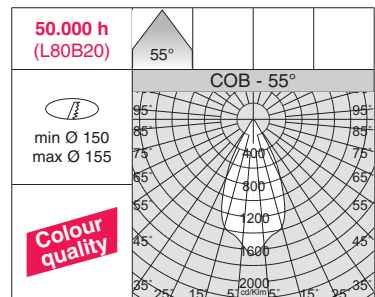
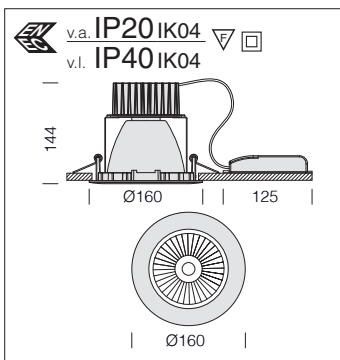


Studio B 193								
LED	colour	weight	CLD CELL	CLD CELLD-DIG (DALI)	CLD CELL-E (1h)	CLD CELL-E (3h)	LUMEN OUTPUT (tq= 25 °C)	
			code	code	code	code		K - ølm - CRI
COB	white	1,10	22161011-39	22161011-3941	22161011-0928	22161011-3957	3000K - 3010lm - CRI 92	
			22161011-00	22161011-1241	22161011-09	22161011-31	4000K - 3237lm - CRI 92	
							W tot	
							28	



Studio B 220								
LED	colour	weight	CLD CELL	CLD CELLD-DIG (DALI)	CLD CELL-E (1h)	CLD CELL-E (3h)	LUMEN OUTPUT (tq= 25 °C)	
			code	code	code	code		K - ølm - CRI
COB	white	1,60	22161111-39	22161111-3941	22161111-0928	22161111-3957	3000K - 4340lm - CRI 92	
			22161111-00	22161111-1241	22161111-09	22161111-31	4000K - 4667lm - CRI 92	
							W tot	
							42	





-
-
-
-
-
-
-

Milano small - COB - UGR<16

LED	colour	CLD CELL				W tot	LUMEN OUTPUT (tq= 25 °C) K - ølm - CRI - degrees	
		weight	code	CLD CELLD-DIG (DALI)	code			CLD CELL-E (1h)
COB	white	1,00	22083518-00	22083518-1241	22083518-09	22083518-31	27	3000K - 2439lm - CRI 92 - 55°
	m. silver		22083578-00	22083578-1241	22083578-09	22083578-31		
COB	white	1,00	22083519-00	22083519-1241	22083519-09	22083519-31	27	4000K - 2593lm - CRI 92 - 55°
	m. silver		22083579-00	22083579-1241	22083579-09	22083579-31		

On request: 1500lm version available.

Classification of UGR values by applications		
UGR	≤ 16	Very demanding applications (technical drawings)
	≤ 19	Offices and schools (reading, writing, business meetings, computer work)
	≤ 22	Industrial applications, craftsmen
	> 28	High glare

The UGR (unified glare rating) is an international unified measure developed by the CIE (Commission International de l'Eclairage) to assess the direct glare generated by a lighting system. The European standard regulating the lighting of indoor work places (UNI-EN 12464-1) recommends a specific UGR value for different applications ranging between 10 and 30; the lower the UGR value, the lower the glare. The exact value of this index differs by project type because it depends on the position of the luminaires, room characteristics (dimensions, reflections) and on the point of observation of viewers.



The range of Luthor recessed spotlights is expanded with three sizes. This enables to fit the spotlights in all fitting holes of the same line of products. Luthor adjustable recessed LED spotlights offer technologically advanced light and are a very solid product with high quality and high performance to illuminate large commercial spaces.

Housing: adjustable angle, made of die-cast aluminium.

Reflector: high-efficiency prismatic and polished aluminium.

Coating: dust painted, using polyester epoxy paint to withstand UV rays.

LED: high-efficiency light sources (**CRI 93**).

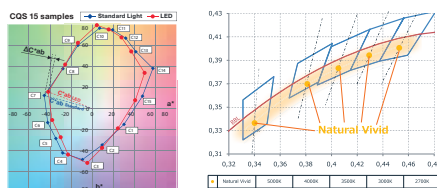
Luminous flux maintenance 80%: **50.000 h (L80B20)**.

Power factor >0.95.

Photobiological safety class: exempt group.



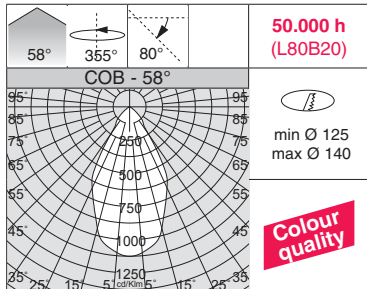
15 colours in the Colour Quality Scale (CQS) measured by the CIELAB allow the measurement of the saturation of colours against a standard lighting source.



$\Delta C^*_{ab} = C^*_{ab \text{ LED}} - C^*_{ab \text{ standard light source}}$
 each value is measured in 15 points.
 $\Delta C^*_{ab} > 0$ = high colour saturation
 $\Delta C^*_{ab} < 0$ = low colour saturation

In different commercial sectors, lighting systems should meet specific requirements, such as for example, emphasise the colour of food or create the right setting for displaying garments, household articles as well as the most exclusive items.

VERSION	CATEGORY	CHARACTERISTICS
2700K - CRI>95	Bread, bakery, cheese and dairy products	Warm golden light enhances the feeling of freshly made bread and makes cheese and dairy products look more inviting.
3000K - CRI>95	Meat and meat products, fresh fruit and vegetable, clothing, household items and appliances	White warm light enhances the reds of meats and makes fruit and vegetables look fresher, displaying more saturated colours, enhancing the appearance and the characteristics of the wares on display.
4000K - CRI>95	Fish and shellfish, jewellery, showrooms	Cold white light makes whites look cleaner and brighter, eliminating the yellowing effect of conventional LED lamps and enhancing the human eye's perception of "pure white".

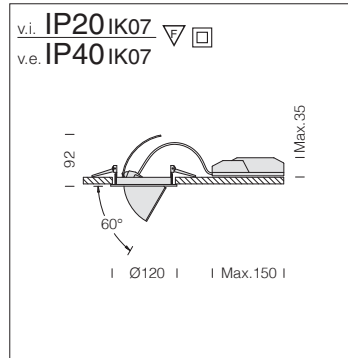


50.000 h (L80B20)

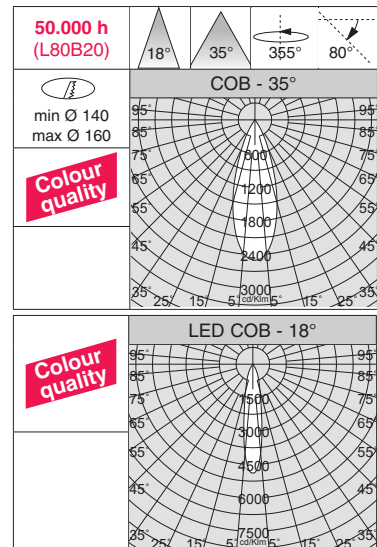
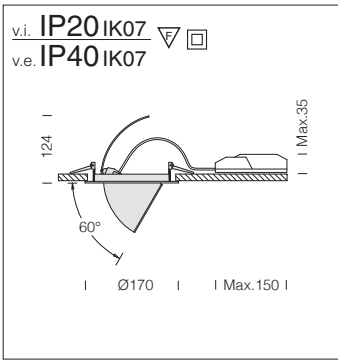
min Ø 125
max Ø 140

Colour quality

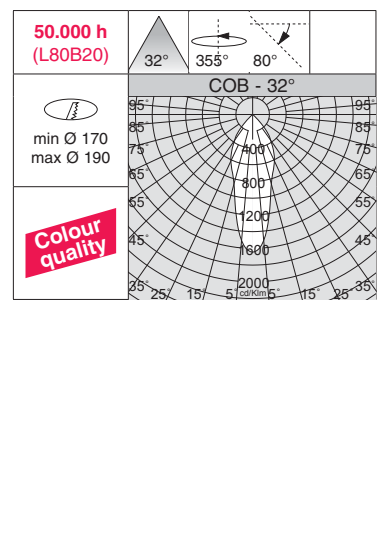
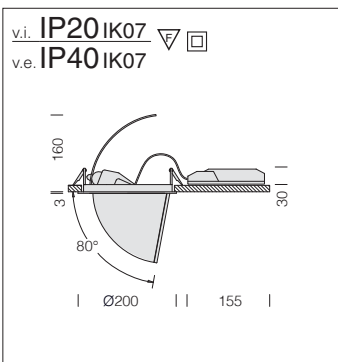
CRI 92



		Luthor Small - PROFESSIONAL						
LED	colour	CLD CELL		CLD CELLD-DIG (DALI)	CLD CELL-E (1h)	CLD CELL-E (3h)	W tot	LUMEN OUTPUT (tq= 25 °C)
		weight	code	code	code	code		K - olm - CRI - degrees
COB	white	1.00	22087818-00	22087818-1241	22087818-09	22087818-31	13	3000K - 1169lm - CRI 92 - 58°
	m. silver		22087878-00	22087878-1241	22087878-09	22087878-31		
COB	white	1.00	22087818-68	22087818-6841	22087818-6809	22087818-3113	13	4000K - 1251lm - CRI 92 - 58°
	m. silver		22087878-68	22087878-6841	22087878-6809	22087878-3113		



Luthor Medium - PROFESSIONAL								
LED	colour	CLD CELL		CLD CELLD-DIG (DALI)	CLD CELL-E (1h)	CLD CELL-E (3h)	W tot	LUMEN OUTPUT (tq= 25 °C) K - ølm - CRI - degrees
		weight	code	code	code	code		
COB	white	1.00	22087819-00	22087819-1241	22087819-09	22087819-31	27	3000K - 2499lm - CRI>93 - 18°
	m. silver		22087879-00	22087879-1241	22087879-09	22087879-31		
COB	white	1.00	22087819-68	22087819-6841	22087819-6809	22087819-3113	27	4000K - 2760lm - CRI>93 - 18°
	m. silver		22087879-68	22087879-6841	22087879-6809	22087879-3113		
COB	white	1.00	22088910-00	22088910-1241	22088910-09	22088910-31	27	3000K - 2487lm - CRI>93 - 35°
	m. silver		22088970-00	22088970-1241	22088970-09	22088970-31		
COB	white	1.00	22088910-68	22088910-6841	22088910-6809	22088910-3113	27	4000K - 2750lm - CRI>93 - 35°
	m. silver		22088970-68	22088970-6841	22088970-6809	22088970-3113		



* class I

Luthor Big - PROFESSIONAL								
LED	colour	CLD CELL		CLD CELLD-DIG (DALI)	CLD CELL-E (1h)	CLD CELL-E (3h)	W tot	LUMEN OUTPUT (tq= 25 °C) K - ølm - CRI - degrees
		weight	code	code	code	code		
COB	white	1.40	22088810-00	22088810-1241	22088810-09	22088810-31	39	3000K - 3852lm - CRI>93 - 32°
	m. silver		22088870-00	22088870-1241	22088870-09	22088870-31		
COB	white	1.40	22088811-00	22088811-1241	22088811-09	22088811-31	39	4000K - 4207lm - CRI>93 - 32°
	m. silver		22088871-00	22088871-1241	22088871-09	22088871-31		
COB*	white	1.40	22088812-00	22088812-1241	22088812-09	22088812-31	45	3000K - 4408lm - CRI>93 - 32°
	m. silver		22088872-00	22088872-1241	22088872-09	22088872-31		
COB*	white	1.40	22088813-00	22088813-1241	22088813-09	22088813-31	54	4000K - 5169lm - CRI>93 - 32°
	m. silver		22088873-00	22088873-1241	22088873-09	22088873-31		





Whether in the round or square version, this recessed LED spotlight is the perfect solution for installations that are designed to hide their physical presence once fitted. These spotlights are shaped to blend perfectly into the false ceilings where they are fitted.

Housing: fixed downlight in die cast aluminium complete with spring clips for recessed mounting

Reflector: dark light optics in high gloss, anti-glare aluminium to optimise light efficiency. Version with matt wide beam optics on request.

LED: high Energy Saving.

Luminous flux maintenance 80%: **50.000 h (L80B20)**.

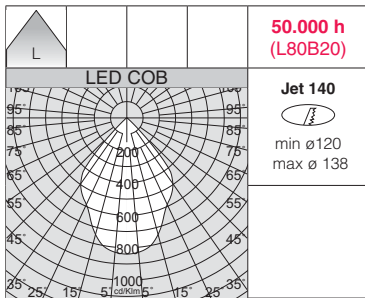
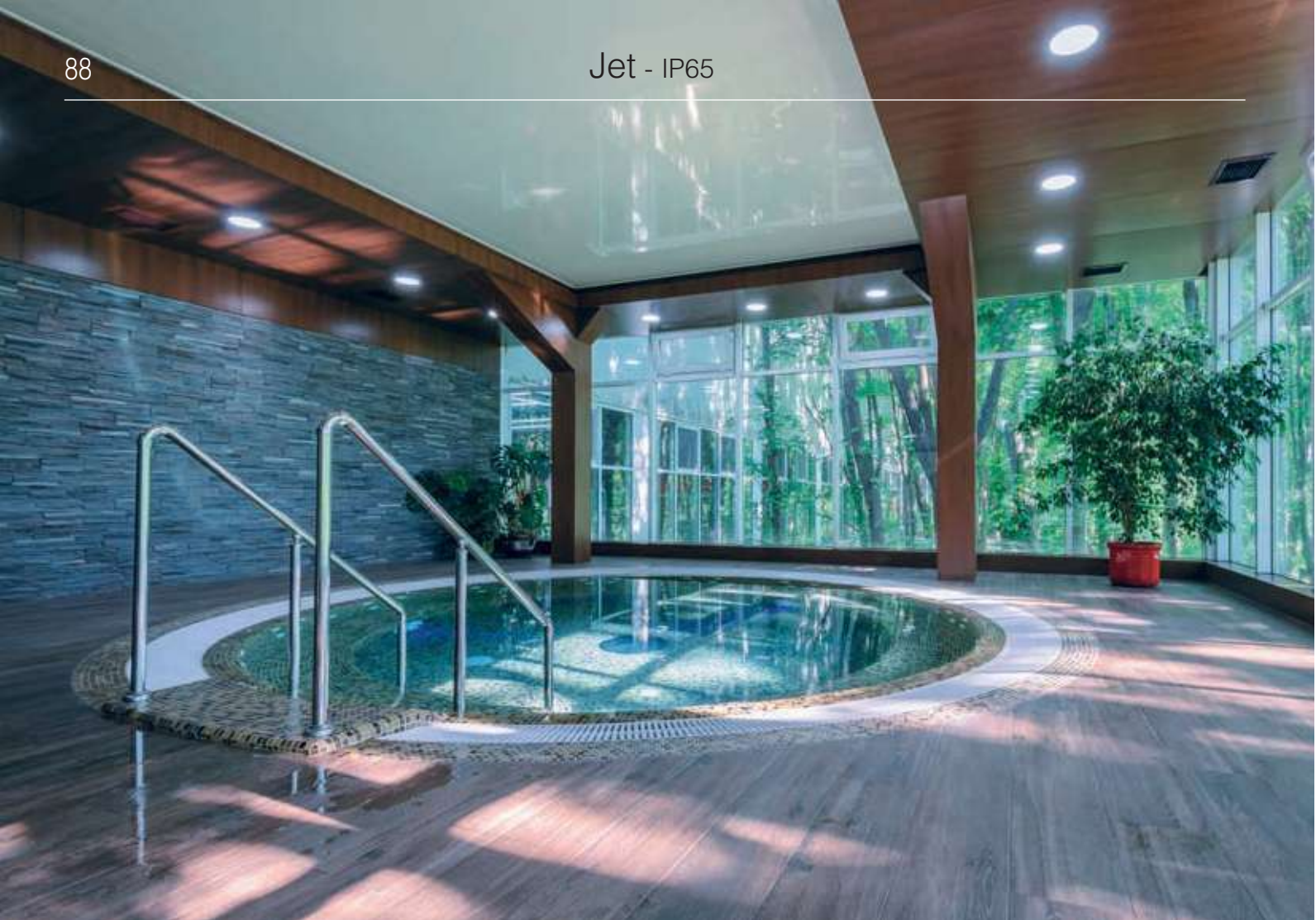
Power factor >0.9.

Photobiological safety class: exempt group.

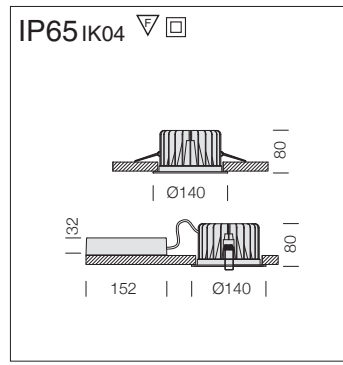


The right lighting and fixture play a vital role in facilitating sales. This is the reason why LED fixtures with a **CRI>90** are being requested. Therefore, the current trend is geared towards the manufacturing of more flexible fixtures, which also emit an excellent quality of light, while guaranteeing remarkable energy savings and lower maintenance costs.

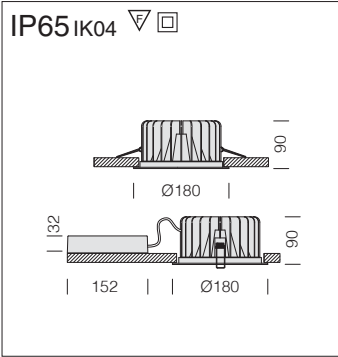
The Colour Rendering Index (**CRI**) indicates how truthfully the artificial light source is able to reproduce the colours of objects. It varies from a range of **0 to 100**, where **0 represents the minimum** and **100 is the maximum**. Daylight is the best source of light from a physiological point of view because it contains the full colour spectrum. Therefore, a lamp with a high colour rendering index is very important to ensure the wellbeing and comfort of the occupants of a room and it is absolutely necessary in rooms where good visibility is required.



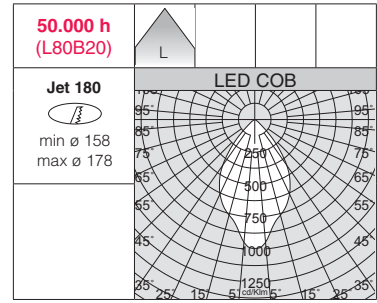
power supply
IP65



Jet 140 - IP65								
		CLD CELL		CLD CELLD-DIG (DALI)	CLD CELL-E (1h)	CLD CELL-E (3h)	LUMEN OUTPUT (tq= 25 °C)	
LED	colour	weight	code	code	code	code	K - ølm - CRI	
COB	white	0,90	22065612-39	22065612-3941	22065612-0928	22065612-3957	25	3000K - 1760lm - CRI 80
			22065612-00	22065612-1241	22065612-09	22065612-31		4000K - 1892lm - CRI 80



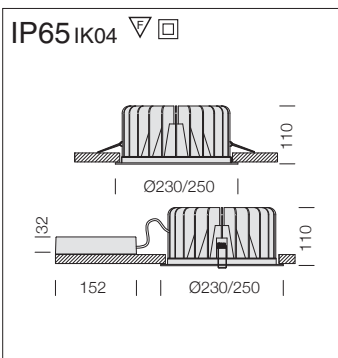
power supply
IP65



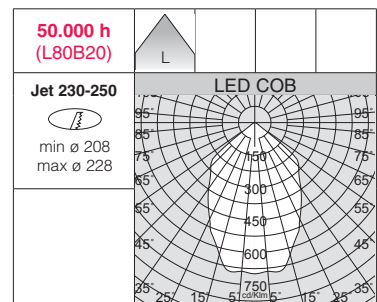
Version with matt wide beam optics on request.



Jet 180 - IP65								
LED	colour	weight	CLD CELL code	CLD CELLD-DIG (DALI) code	CLD CELL-E (1h) code	CLD CELL-E (3h) code	W tot	LUMEN OUTPUT (tq= 25 °C)
COB	white	1,45	22065613-39	22065613-3941	22065613-0928	22065613-3957	35	K - ølm - CRI
			22065613-00	22065613-1241	22065613-09	22065613-31		3000K - 3186lm - CRI 80
								4000K - 3423lm - CRI 80



power supply
IP65



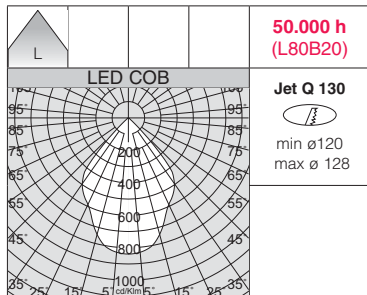
Version with matt wide beam optics on request.



Jet 230 - IP65								
LED	colour	weight	CLD CELL code	CLD CELLD-DIG (DALI) code	CLD CELL-E (1h) code	CLD CELL-E (3h) code	W tot	LUMEN OUTPUT (tq= 25 °C)
COB	white	2,20	22065616-39	22065616-3941	22065616-0928	22065616-3957	50	K - ølm - CRI
			22065616-00	22065616-1241	22065616-09	22065616-31		3000K - 5193lm - CRI 80
								4000K - 5584lm - CRI 80

Jet 250 - IP65								
LED	colour	weight	CLD CELL code	CLD CELLD-DIG (DALI) code	CLD CELL-E (1h) code	CLD CELL-E (3h) code	W tot	LUMEN OUTPUT (tq= 25 °C)
COB	white	2,25	22065618-39	22065618-3941	22065618-0928	22065618-3957	50	K - ølm - CRI
			22065618-00	22065618-1241	22065618-09	22065618-31		3000K - 5193lm - CRI 80
								4000K - 5584lm - CRI 80

Equipped with ring; can act as both an aesthetic finishing and to cover fitting holes with diameters up to 245mm.

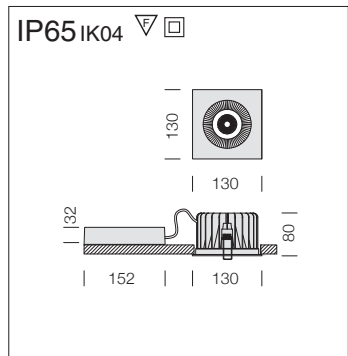


50.000 h (L80B20)

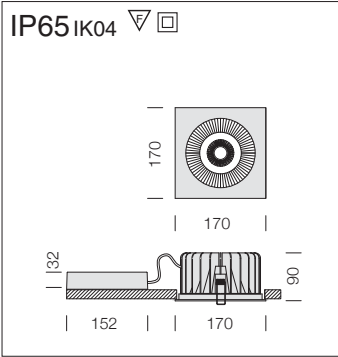
Jet Q 130

min ø120
max ø 128

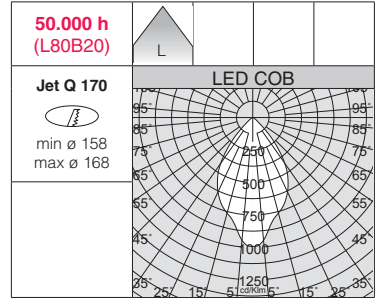
power supply
IP65



Jet Q 130 - IP65							
		CLD CELL	CLD CELLD-DIG (DALI)	CLD CELL-E (1h)	CLD CELL-E (3h)	LUMEN OUTPUT (tq= 25 °C)	
LED	colour	weight	code	code	code	code	K - ølm - CRI
COB	white	0,90	22065712-39	22065712-3941	22065712-0928	22065712-3957	3000K - 1760lm - CRI 80
			22065712-00	22065712-1241	22065712-09	22065712-31	4000K - 1892lm - CRI 80



power supply
IP65

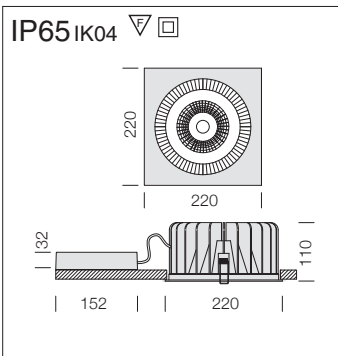


Version with matt wide beam optics on request.

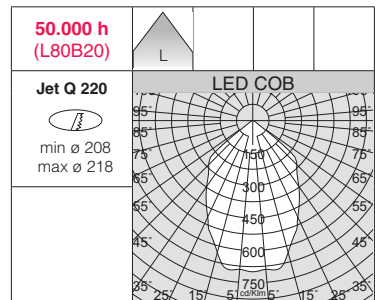


Jet Q 170 - IP65							LUMEN OUTPUT (tq= 25 °C)	
LED	colour	weight	CLD CELL code	CLD CELLD-DIG (DALI) code	CLD CELL-E (1h) code	CLD CELL-E (3h) code	W tot	K - olm - CRI
COB	white	1,45	22065713-39	22065713-3941	22065713-0928	22065713-3957	35	3000K - 3186lm - CRI 80
			22065713-00	22065713-1241	22065713-09	22065713-31		4000K - 3423lm - CRI 80

-
-
-
-
-
-
-
-
-
-



power supply
IP65

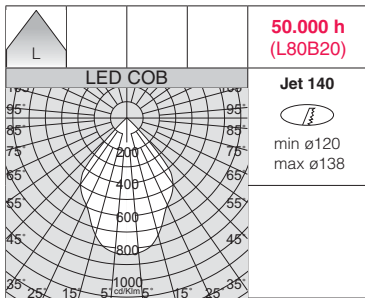


Version with matt wide beam optics on request.

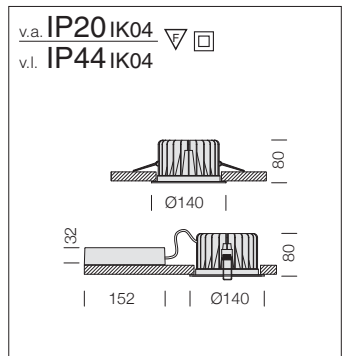


Jet Q 220 - IP65							LUMEN OUTPUT (tq= 25 °C)	
LED	colour	weight	CLD CELL code	CLD CELLD-DIG (DALI) code	CLD CELL-E (1h) code	CLD CELL-E (3h) code	W tot	K - olm - CRI
COB	white	2,20	22065716-39	22065716-3941	22065716-0928	22065716-3957	50	3000K - 5193lm - CRI 80
			22065716-00	22065716-1241	22065716-09	22065716-31		4000K - 5584lm - CRI 80

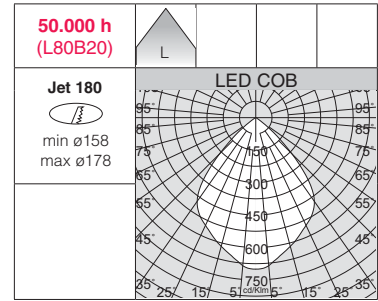
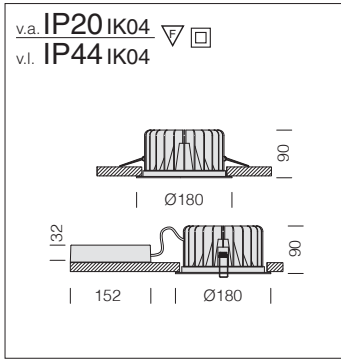
-
-
-
-
-
-
-
-
-
-
-



CRI 90

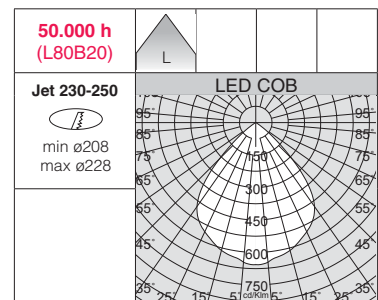
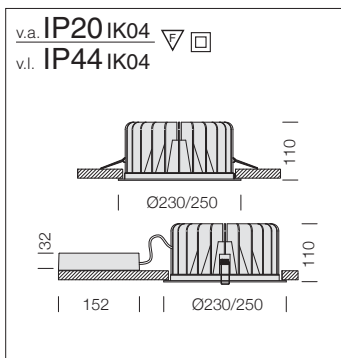


Jet 140 - IP44								
LED		CLD CELL		CLD CELLD-DIG (DALI)	CLD CELL-E (1h)	CLD CELL-E (3h)	LUMEN OUTPUT (tq= 25 °C)	
colour	weight	code		code	code	code	K - ølm - CRI	
COB	white	0,90	22065610-39	22065610-3941	22065610-0928	22065610-3957	23	3000K - 2059lm - CRI 90
			22065610-00	22065610-1241	22065610-09	22065610-31		4000K - 2214lm - CRI 90



Jet 180 - IP44

		CLD CELL				LUMEN OUTPUT (tq= 25 °C)		
LED	colour	weight	code	code	code	code	W tot	K - ølm - CRI
COB	white	1,45	22065614-39	22065614-3941	22065614-0928	22065610-3957	44	3000K - 4173lm - CRI 90
			22065614-00	22065614-1241	22065614-09	22065610-31		4000K - 4487lm - CRI 90



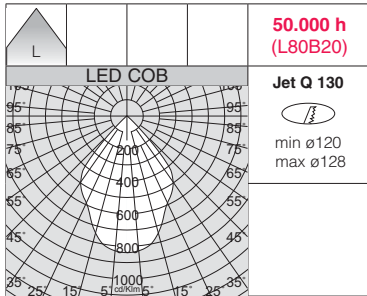
Jet 230 - IP44

		CLD CELL				LUMEN OUTPUT (tq= 25 °C)		
LED	colour	weight	code	code	code	code	W tot	K - ølm - CRI
COB	white	2,20	22065617-39	22065617-3941	22065617-0928	22065617-3957	51	3000K - 5225lm - CRI 90
			22065617-00	22065617-1241	22065617-09	22065617-31		4000K - 5618lm - CRI 90

Jet 250 - IP44

		CLD CELL				LUMEN OUTPUT (tq= 25 °C)		
LED	colour	weight	code	code	code	code	W tot	K - ølm - CRI
COB	white	2,25	22065615-39	22065615-3941	22065615-0928	22065615-3957	51	3000K - 5225lm - CRI 90
			22065615-00	22065615-1241	22065615-09	22065615-31		4000K - 5618lm - CRI 90

Equipped with ring; can act as both an aesthetic finishing and to cover fitting holes with diameters up to 245mm.

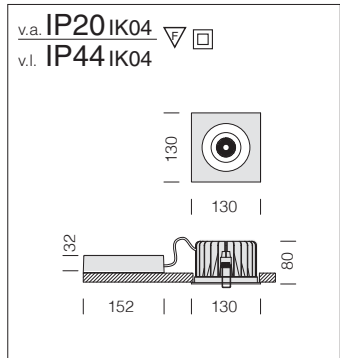


50.000 h
(L80B20)

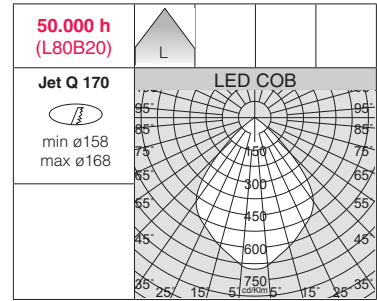
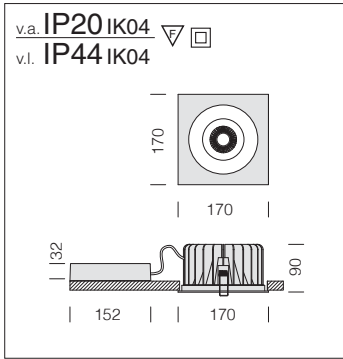
Jet Q 130

min ø120
max ø128

CRI 90

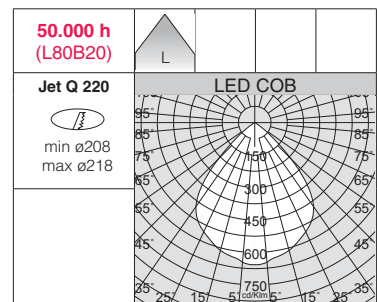
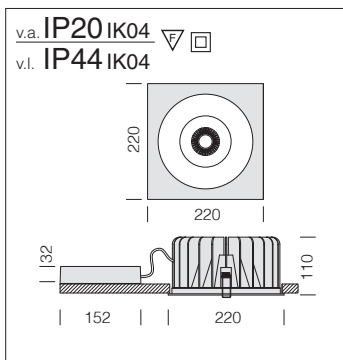


Jet Q 130 - IP44								
LED	colour	CLD CELL		CLD CELLD-DIG (DALI)	CLD CELL-E (1h)	CLD CELL-E (3h)	LUMEN OUTPUT (tq= 25 °C)	
		weight	code	code	code	code		
COB	white	0,90	22065710-39	22065710-3941	22065710-0928	22065710-3957	3000K - 2059lm - CRI 90 4000K - 2214lm - CRI 90	
			22065710-00	22065710-1241	22065710-09	22065710-31		
							W tot	23



-
-
-
-
-
-
-
-
-
-

Jet Q 170 - IP44								
LED	colour	weight	CLD CELL code	CLD CELLD-DIG (DALI) code	CLD CELL-E (1h) code	CLD CELL-E (3h) code	W tot	LUMEN OUTPUT (tq= 25 °C)
COB	white	1,45	22065714-39	22065714-3941	22065714-0928	22065714-3957	44	3000K - 4173lm - CRI 90
			22065714-00	22065714-1241	22065714-09	22065714-31		4000K - 4487lm - CRI 90



-
-
-
-
-
-
-
-
-
-

Jet Q 220 - IP44								
LED	colour	weight	CLD CELL code	CLD CELLD-DIG (DALI) code	CLD CELL-E (1h) code	CLD CELL-E (3h) code	W tot	LUMEN OUTPUT (tq= 25 °C)
COB	white	2,20	22065717-39	22065717-3941	22065717-0928	22065717-3957	51	3000K - 5225lm - CRI 90
			22065717-00	22065717-1241	22065717-09	22065717-31		4000K - 5618lm - CRI 90



The ideal retrofit of existing ISPOT spotlights, it represents the technological benchmark of recessed spotlights. The main advantages of this latest generation product are energy-efficiency, great flexible use and superior lighting quality. With latest generation LEDs you can save up to 80% of energy compared to old products, plus a service life that can reach up to 50,000 hours guaranteeing an excellent luminous flux. The high quality of these spotlights is also guaranteed by specific colour temperatures (3000K - 4000K) and anti-glare optics.

Housing: made of die-cast aluminium with spring clips for recessed mounting.

Reflector iSpot - iSpot Tech: high-efficiency metallised polycarbonate.

Lens iSpot Architectural: in PMMA with high efficiency output and very low glare rate.

LED: high-efficiency light sources (**CRI 92**).

Luminous flux maintenance 80%: **50.000 h (L80B20)**.

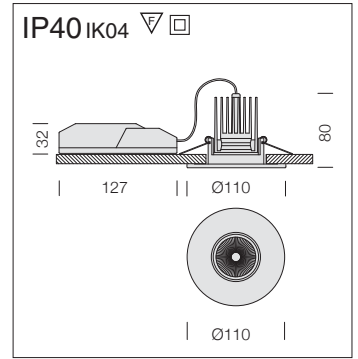
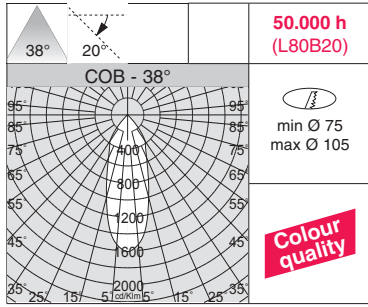
Power factor >0.9.

Photobiological safety class: exempt group.



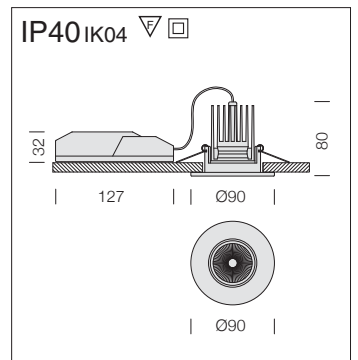
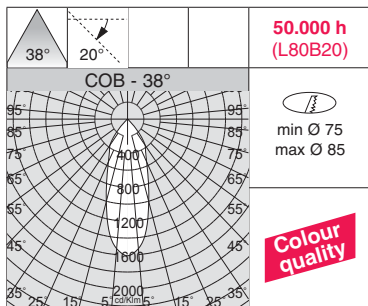
The right lighting and fixture play a vital role in facilitating sales. This is the reason why LED fixtures with a **CRI>90** are being requested. Therefore, the current trend is geared towards the manufacturing of more flexible fixtures, which also emit an excellent quality of light, while guaranteeing remarkable energy savings and lower maintenance costs.

The Colour Rendering Index (**CRI**) indicates how truthfully the artificial light source is able to reproduce the colours of objects. It varies from a range of **0 to 100**, where **0 represents the minimum** and **100 is the maximum**. Daylight is the best source of light from a physiological point of view because it contains the full colour spectrum. Therefore, a lamp with a high colour rendering index is very important to ensure the wellbeing and comfort of the occupants of a room and it is absolutely necessary in rooms where good visibility is required.



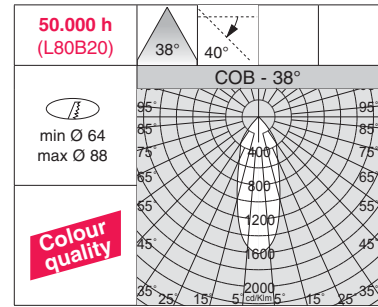
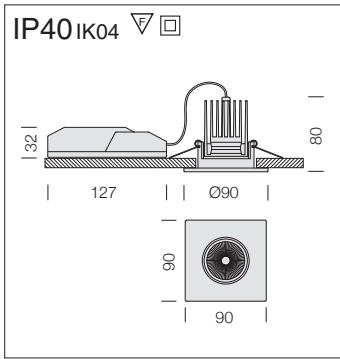
iSpot 1 - DIMM							
LED	colour	weight	CLD CELL-D (IGBT)	CLD CELL-D (DALI)	CLD CELL-E (1h)	CLD CELL-E (3h)	LUMEN OUTPUT (tq= 25 °C)
			code	code	code	code	K - ølm - CRI - degrees
COB	white	0,30	22067310-00	22067310-1241	22067310-39	22067310-31	3000K - 957lm - CRI 92 - 38°
	black		22067330-00	22067330-1241	22067330-39	22067330-31	
	s. silver		22067370-00	22067370-1241	22067370-39	22067370-31	
COB	white	0,30	22067311-00	22067311-1241	22067311-39	22067311-31	4000K - 990lm - CRI 92 - 38°
	black		22067331-00	22067331-1241	22067331-39	22067331-31	
	s. silver		22067371-00	22067371-1241	22067371-39	22067371-31	

Universally applicable, suitable to replace downlights with cut out diameters ranging from 75 mm to 105 mm.



iSpot 2 - DIMM							
LED	colour	weight	CLD CELL-D (IGBT)	CLD CELL-D (DALI)	CLD CELL-E (1h)	CLD CELL-E (3h)	LUMEN OUTPUT (tq= 25 °C)
			code	code	code	code	K - ølm - CRI - degrees
COB	white	0,30	22067210-00	22067210-1241	22067210-09	22067210-31	3000K - 957lm - CRI 92 - 38°
	black		22067230-00	22067230-1241	22067230-09	22067230-31	
	s. silver		22067270-00	22067270-1241	22067270-09	22067270-31	
	chrome		22067260-00	22067260-1241	22067260-09	22067260-31	
COB	white	0,30	22067211-00	22067211-1241	22067211-09	22067211-31	4000K - 990lm - CRI 92 - 38°
	black		22067231-00	22067231-1241	22067231-09	22067231-31	
	s. silver		22067271-00	22067271-1241	22067271-09	22067271-31	
	chrome		22067261-00	22067261-1241	22067261-09	22067261-31	

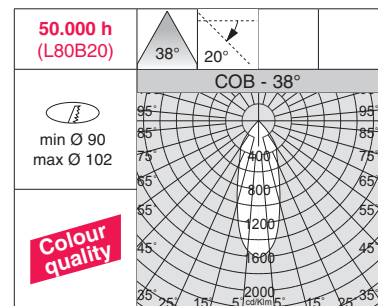
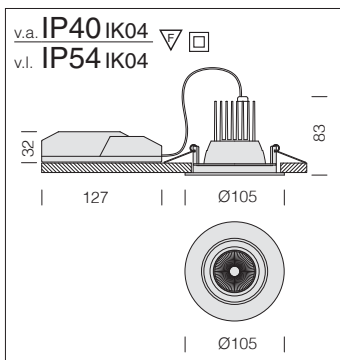
Universally applicable, suitable to replace downlights with cut out diameters ranging from 75 mm to 85 mm.



-
-
-
-
-
-

iSpot 3 - square - DIMM							
LED	colour	CLD CELL-D (IGBT)		CLD CELL-D (DALI)	CLD CELL-E (1h)	CLD CELL-E (3h)	LUMEN OUTPUT (tq= 25 °C)
		weight	code	code	code	code	
COB	chrome	0,30	22067460-00	22067460-1241	22067460-09	22067460-31	10 K - ølm - CRI - degrees 3000K - 957lm - CRI 92 - 38° 4000K - 990lm - CRI 92 - 38°
			22067460-1213	22067460-6841	22067460-6809	22067460-3113	

Universally applicable, suitable to replace downlights with cut out diameters ranging from 64mm to 88mm.



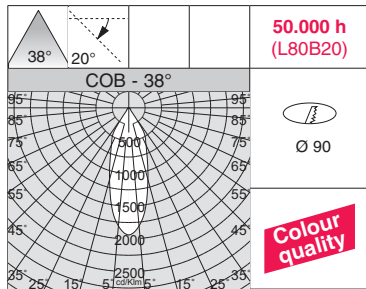
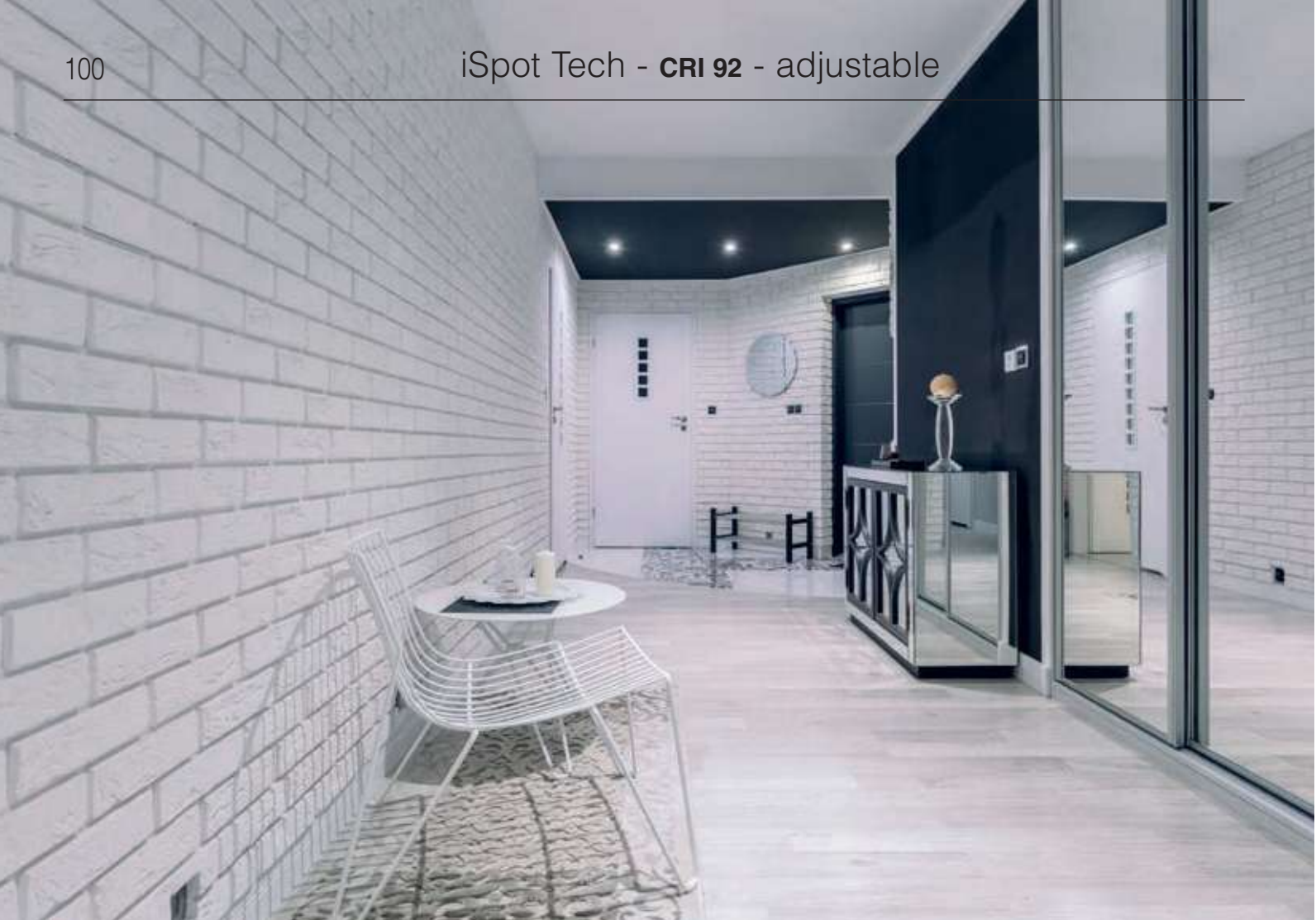
-
-
-
-
-
-

iSpot 4 - DIMM							
LED	colour	CLD CELL-D (IGBT)		CLD CELL-D (DALI)	CLD CELL-E (1h)	CLD CELL-E (3h)	LUMEN OUTPUT (tq= 25 °C)
		weight	code	code	code	code	
COB	white	0,30	22067510-00	22067510-1241	22067510-09	22067510-31	10 K - ølm - CRI - degrees 3000K - 957lm - CRI 92 - 38° 4000K - 990lm - CRI 92 - 38°
			22067511-00	22067511-1241	22067511-09	22067511-31	

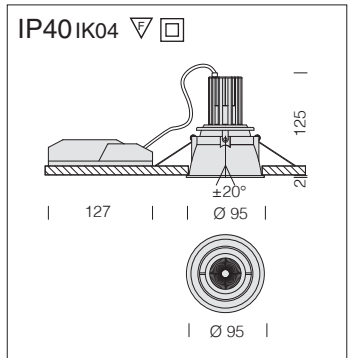
Universally applicable, suitable to replace downlights with cut out diameters ranging from 90mm to 102mm.

Protection guard for iSpot 1-2-3	
black	22095130-00
For insulation in the ceiling.	



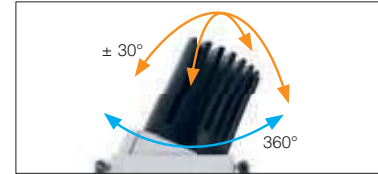
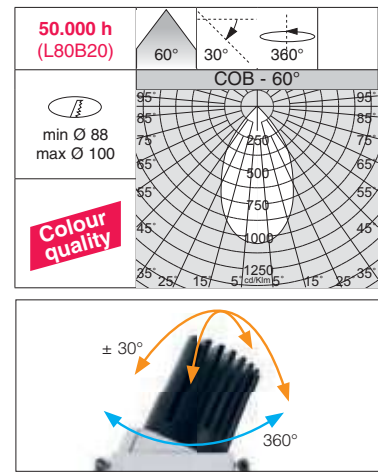
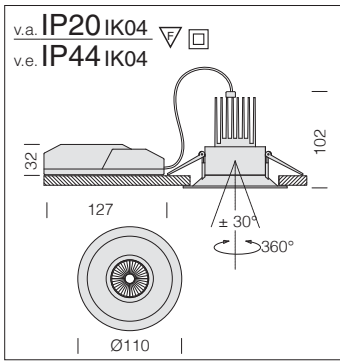


CRI 92



iSpot Tech 3 - DIMM							
		CLD CELL-D (IGBT)	CLD CELLD-DIG (DALI)	CLD CELL-E (1h)	CLD CELL-E (3h)	LUMEN OUTPUT (tq= 25 °C)	
LED	colour	weight	code	code	code	W tot	K - ølm - CRI - degrees
COB	white	0,30	22167210-00	22167210-1241	22167210-09	22167210-31	3000K - 957lm - CRI 92 - 38°
			22167211-00	22167211-1241	22167211-09	22167211-31	4000K - 990lm - CRI 92 - 38°

Dimmable version phase cutting IGBT dimming.

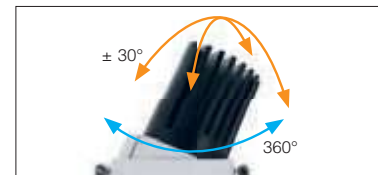
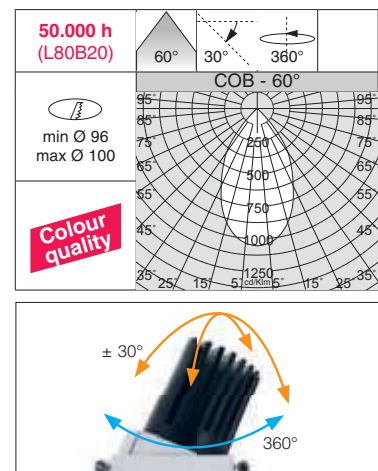
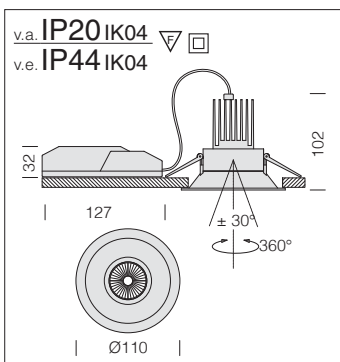


Universal version with the possibility to rotate the optical compartment around both axes: 360° vertically and ± 30° horizontally.



iSpot Architectural 1 - DIMM							
LED	colour	CLD CELL-D (IGBT)		CLD CELL-D (DALI)	CLD CELL-E (1h)	CLD CELL-E (3h)	LUMEN OUTPUT (tq= 25 °C)
		weight	code	code	code	code	
COB	white	0,30	22167310-00	22167310-1241	22167310-09	22167310-31	10 3000K - 957lm - CRI 92 - 60° 4000K - 990lm - CRI 92 - 60°
			22167311-00	22167311-1241	22167311-09	22167311-31	

Universally applicable, suitable to replace downlights with cut out diameters ranging from 88mm to 100mm. **On request:** 15° - 38° version



Universal version with the possibility to rotate the optical compartment around both axes: 360° vertically and ± 30° horizontally.



iSpot Architectural 2 - DIMM							
LED	colour	CLD CELL-D (IGBT)		CLD CELL-D (DALI)	CLD CELL-E (1h)	CLD CELL-E (3h)	LUMEN OUTPUT (tq= 25 °C)
		weight	code	code	code	code	
COB	white	0,30	22167410-00	22167410-1241	22167410-09	22167410-31	10 3000K - 957lm - CRI 92 - 60° 4000K - 990lm - CRI 92 - 60°
			22167411-00	22167411-1241	22167411-09	22167411-31	

Universally applicable, suitable to replace downlights with cut out diameters ranging from 96mm to 100mm. **On request:** 15° - 38° version



Protection guard for iSpot Architectural	
black	22095130-00
For insulation in the ceiling.	



Housing: made of die-cast aluminium complete with spring clips for recessed mounting.

Reflector: high-efficiency metallised polycarbonate.

Equipment: silicone rubber protection gasket compliant with French low-energy building standards (**BBC**).

Standards: manufactured pursuant to EN 60598-1-CEI 34.21 and with a degree of protection pursuant to EN 60529.

LED: high-efficiency light sources (**CRI 92-93**).

Luminous flux maintenance 80%: **50.000 h (L80B20)**.

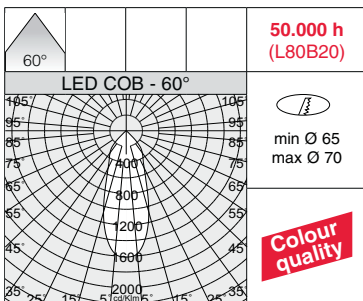
Power factor >0.9.

Photobiological safety class: exempt group.

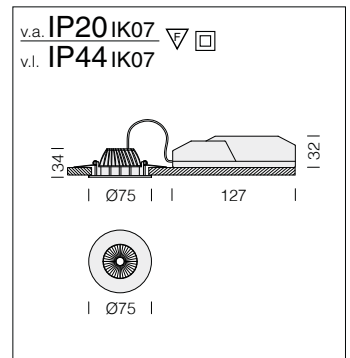


The right lighting and fixture play a vital role in facilitating sales. This is the reason why LED fixtures with a **CRI>90** are being requested. Therefore, the current trend is geared towards the manufacturing of more flexible fixtures, which also emit an excellent quality of light, while guaranteeing remarkable energy savings and lower maintenance costs.

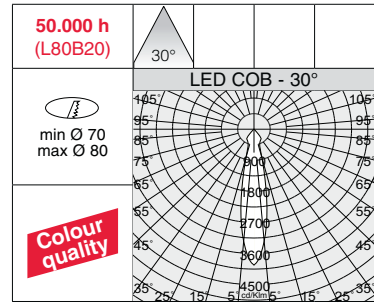
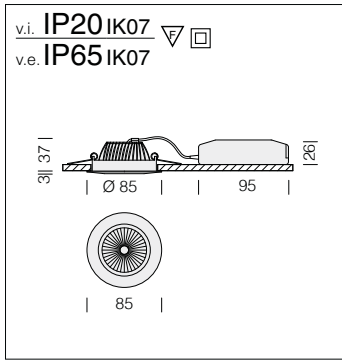
The Colour Rendering Index (**CRI**) indicates how truthfully the artificial light source is able to reproduce the colours of objects. It varies from a range of **0 to 100**, where **0 represents the minimum** and **100 is the maximum**. Daylight is the best source of light from a physiological point of view because it contains the full colour spectrum. Therefore, a lamp with a high colour rendering index is very important to ensure the wellbeing and comfort of the occupants of a room and it is absolutely necessary in rooms where good visibility is required.



CRI 92



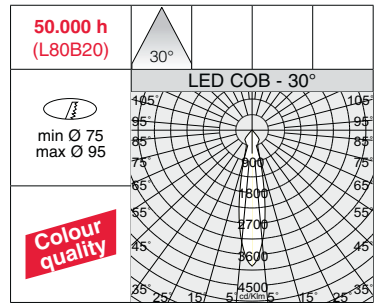
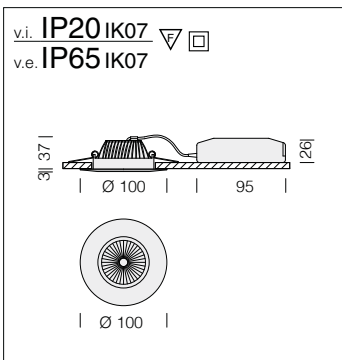
Marte 8 - CRI 92								
LED		CLD CELL		CLD CELL-DIG (DALI)	CLD CELL-E (1h)	CLD CELL-E (3h)	LUMEN OUTPUT (tq= 25 °C)	
colour	weight	code		code	code	code	K - ølm - CRI - degrees	
COB	white	0,25	22061818-00	22061818-1241	22061818-09	22061818-31	3000K - 483lm - CRI 92 - 60°	
			22061818-68	22061818-6841	22061818-6809	22061818--3113		4000K - 517lm - CRI 92 - 60°
							W tot	5



-
-
-
-
-
-
-
-
-
-

Marte 4 - CRI 92

		CLD CELL				LUMEN OUTPUT (tq= 25 °C)	
LED	colour	weight	code	code	code	code	W tot
COB	white	0,25	22061810-00	22061810-1241	22061810-09	22061810-31	5
			22061810-68	22061810-6841	22061810-6809	22061810-3113	
							K - ølm - CRI - degrees
							3000K - 481lm - CRI 92 - 30°
							4000K - 515lm - CRI 92 - 30°

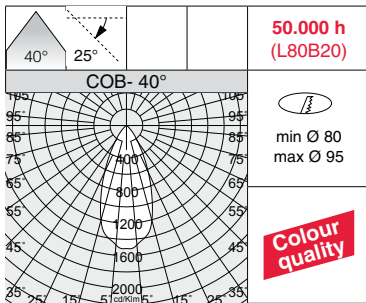


-
-
-
-
-
-
-
-
-
-

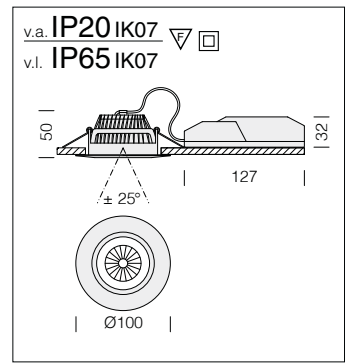
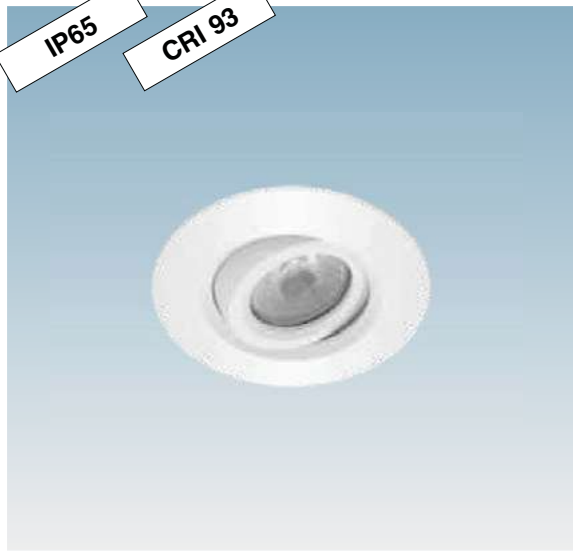
Marte 5 - CRI 92

		CLD CELL				LUMEN OUTPUT (tq= 25 °C)	
LED	colour	weight	code	code	code	code	W tot
COB	white	0,25	22061811-00	22061811-1241	22061811-09	22061811-31	6
			22061811-68	22061811-6841	22061811-6809	22061811-3113	
							K - ølm - CRI - degrees
							3000K - 642lm - CRI 92 - 30°
							4000K - 687lm - CRI 92 - 30°

Marte adjustable - CRI 93

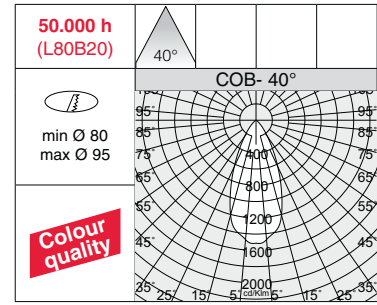
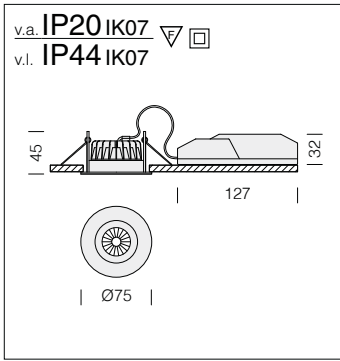


IP65
CRI 93

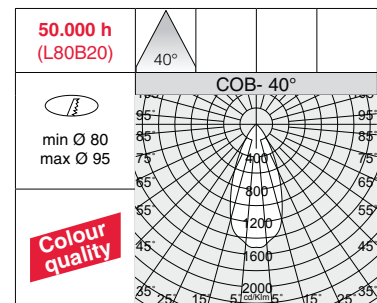
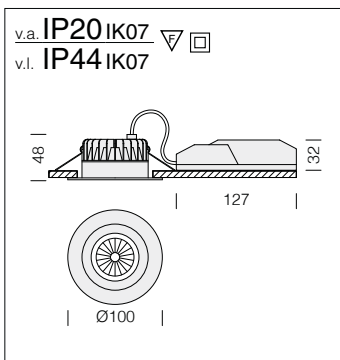


Marte 12 - CRI 93

LED		CLD CELL		CLD CELLD-DIG (DALI)	CLD CELL-E (1h)	CLD CELL-E (3h)	LUMEN OUTPUT (tq= 25 °C)	
colour	weight	code		code	code	code	W tot	K - ølm - CRI - degrees
COB	white	0,35	22061804-00	22061804-1241	22061804-09	22061804-31	10	3000K - 724lm - CRI 93 - 40°
			22061804-68	22061804-6841	22061804-6809	22061804-3113		4000K - 775lm - CRI 93 - 40°



Marte 10 - CRI 93							
		CLD CELL	CLD CELLD-DIG (DALI)	CLD CELL-E (1h)	CLD CELL-E (3h)		LUMEN OUTPUT (tq= 25 °C)
LED	colour	weight	code	code	code	code	K - ølm - CRI - degrees
COB	white	0,25	22061801-00	22061801-1241	22061801-09	22061801-31	3000K - 703lm - CRI 93 - 40°
			22061801-68	22061801-6841	22061801-6809	22061801-3113	4000K - 752lm - CRI 93 - 40°
						7	



Marte 11 - CRI 93							
		CLD CELL	CLD CELLD-DIG (DALI)	CLD CELL-E (1h)	CLD CELL-E (3h)		LUMEN OUTPUT (tq= 25 °C)
LED	colour	weight	code	code	code	code	K - ølm - CRI - degrees
COB	white	0,30	22061802-00	22061802-1241	22061802-09	22061802-31	3000K - 1127lm - CRI 93 - 40°
			22061802-68	22061802-6841	22061802-6809	22061802-3113	4000K - 1206lm - CRI 93 - 40°
						10	



Whether in the round or square version, this recessed LED spotlight is the perfect solution for installations that are designed to hide their physical presence once fitted.

These spotlights are shaped to blend perfectly into the false ceilings where they are fitted. Moreover, thanks to the high **IP65** protection rating, they can be easily installed in any type of space, to create amazing light effects.

Housing: in die-cast aluminium with heat sink.

Coating: epoxy polyester powder coating resistant to UV rays.

Equipment: silicone rubber protection gasket compliant with French low-energy building standards (**BBC**).

Standards: manufactured pursuant to EN 60598-1-CEI 34.21 and with a degree of protection pursuant to EN 60529.

LED: high-efficiency light sources (**CRI 90-92**).

Luminous flux maintenance 80%: **50.000 h (L80B20)**.

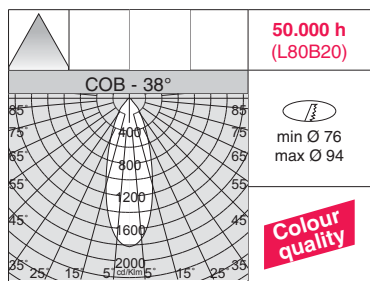
Power factor >0.9.

Photobiological safety class: exempt group.

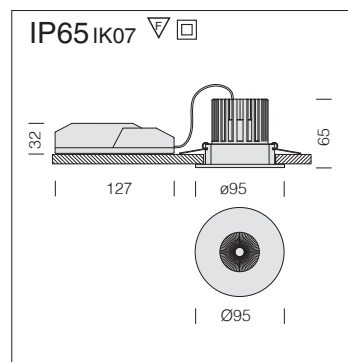


The right lighting and fixture play a vital role in facilitating sales. This is the reason why LED fixtures with a **CRI>90** are being requested. Therefore, the current trend is geared towards the manufacturing of more flexible fixtures, which also emit an excellent quality of light, while guaranteeing remarkable energy savings and lower maintenance costs.

The Colour Rendering Index (**CRI**) indicates how truthfully the artificial light source is able to reproduce the colours of objects. It varies from a range of **0 to 100**, where **0 represents the minimum** and **100 is the maximum**. Daylight is the best source of light from a physiological point of view because it contains the full colour spectrum. Therefore, a lamp with a high colour rendering index is very important to ensure the wellbeing and comfort of the occupants of a room and it is absolutely necessary in rooms where good visibility is required.

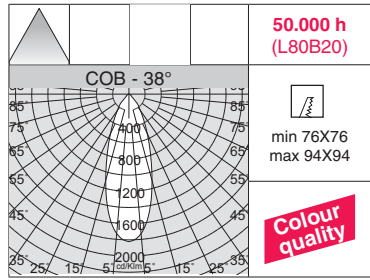


Conformity with BBC regulations (Bâtiment Basse Consommation).

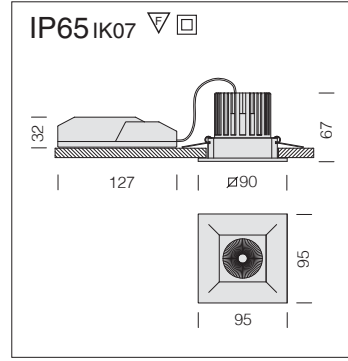


Snow 1							
LED		CLD CELL		CLD CELLD-DIG (DALI)		W tot	LUMEN OUTPUT (tq= 25 °C) K - ølm - CRI - degrees
colour	weight	code	weight	code			
COB	white	0,30	22082610-00	0,30	22082610-1241	12	3000K - 1070lm - CRI 90 - 38°
	silver		22082670-00		22082670-1241		
COB	white	0,30	22082610-68	0,30	22082610-6841	12	4000K - 1145lm - CRI 90 - 38°
	silver		22082670-68		22082670-6841		

Equipped with cable L=1,5m , cable gland and steel screws with special anticorrosion treatment.

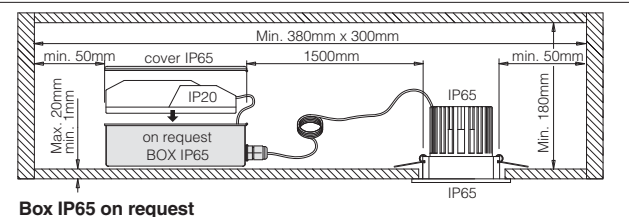
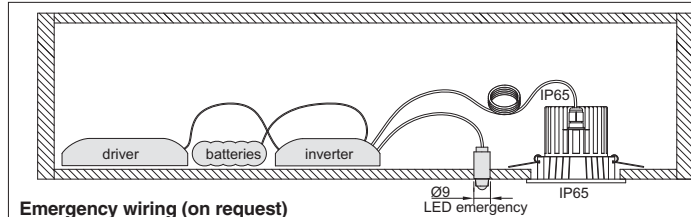


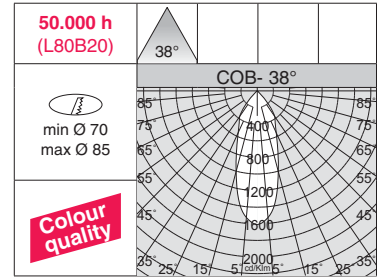
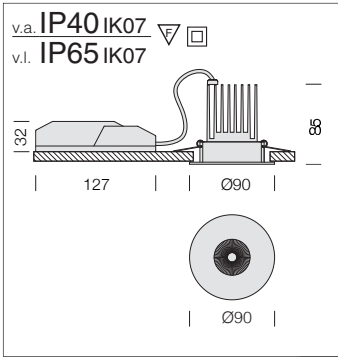
Conformity with BBC regulations (Bâtiment Basse Consommation).



Snow 2							
LED		CLD CELL		CLD CELLD-DIG (DALI)		W tot	LUMEN OUTPUT (tq= 25 °C) K - ølm - CRI - degrees
colour	weight	code	weight	code			
COB	white	0,30	22082710-00	0,30	22082710-1241	12	3000K - 1070lm - CRI 90 - 38°
	silver		22082770-00		22082770-1241		
COB	white	0,30	22082710-68	0,30	22082710-6841	12	4000K - 1145lm - CRI 90 - 38°
	silver		22082770-68		22082770-6841		

Equipped with cable L=1,5m , cable gland and steel screws with special anticorrosion treatment.

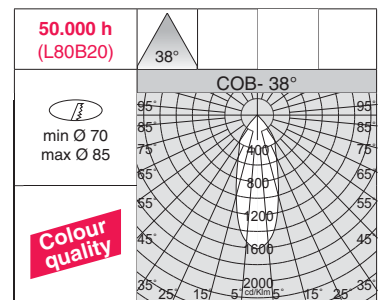
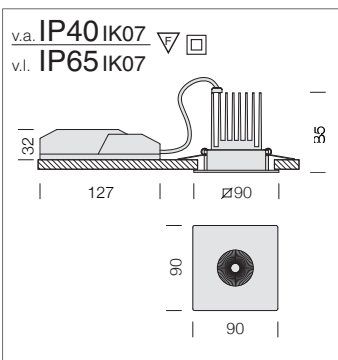




Conformity with BBC regulations
(Bâtiment Basse Consommation).



Snow 3 - DIMM								
LED	colour	weight	CLD CELL-D (IGBT) code	CLD CELLD-DIG (DALI) code	CLD CELL-E (1h) code	CLD CELL-E (3h) code	W tot	LUMEN OUTPUT (tq= 25 °C)
COB	white	0,30	22082613-00	22082613-1241	22082613-09	22082613-31	10	3000K - 957lm - CRI 92 - 38°
	black		22082633-00	22082633-1241	22082633-09	22082633-31		
COB	white	0,30	22082614-00	22082614-1241	22082614-09	22082614-31	10	4000K - 990lm - CRI 92 - 38°
	black		22082634-00	22082634-1241	22082634-09	22082634-31		



Conformity with BBC regulations
(Bâtiment Basse Consommation).



Snow 4 - DIMM								
LED	colour	weight	CLD CELL-D (IGBT) code	CLD CELLD-DIG (DALI) code	CLD CELL-E (1h) code	CLD CELL-E (3h) code	W tot	LUMEN OUTPUT (tq= 25 °C)
COB	white	0,30	22082713-00	22082713-1241	22082713-09	22082713-31	10	3000K - 957lm - CRI 92 - 38°
	black		22082733-00	22082733-1241	22082733-09	22082733-31		
COB	white	0,30	22082714-00	22082714-1241	22082714-09	22082714-31	10	4000K - 990lm - CRI 92 - 38°
	black		22082734-00	22082734-1241	22082734-09	22082734-31		



Trimless is a modular revolving recessed spotlight, ideal for your store, home or hotel.

This latest generation system meets perfectly all the needs of a new type of interior lighting concept which has drastically changed over the past few years. The first goal is the search of maximum visual comfort, and this implies giving light different meanings according to the place into which the fixture is installed.

Housing: in die-cast aluminium with adjustable and tilting spotlights.

Equipment: equipped with galvanised steel support brackets which guarantee perfect attachment to suspended ceiling from 12 mm to 25 mm thick.

Reflector: high-efficiency metallised polycarbonate.

LED: high-efficiency light sources (CRI 90).

Luminous flux maintenance 80%: **50.000 h (L80B20)**.

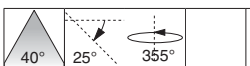
Power factor >0.95.

Photobiological safety class: exempt group.

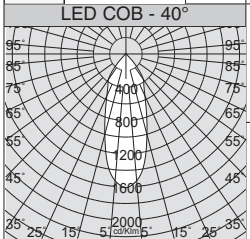


The right lighting and fixture play a vital role in facilitating sales. This is the reason why LED fixtures with a **CRI>90** are being requested. Therefore, the current trend is geared towards the manufacturing of more flexible fixtures, which also emit an excellent quality of light, while guaranteeing remarkable energy savings and lower maintenance costs.

The Colour Rendering Index (**CRI**) indicates how truthfully the artificial light source is able to reproduce the colours of objects. It varies from a range of **0 to 100**, where **0 represents the minimum** and **100 is the maximum**. Daylight is the best source of light from a physiological point of view because it contains the full colour spectrum. Therefore, a lamp with a high colour rendering index is very important to ensure the wellbeing and comfort of the occupants of a room and it is absolutely necessary in rooms where good visibility is required.



50.000 h
(L80B20)

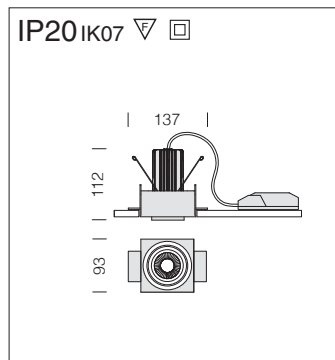


94x94

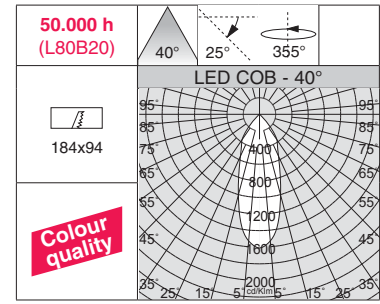
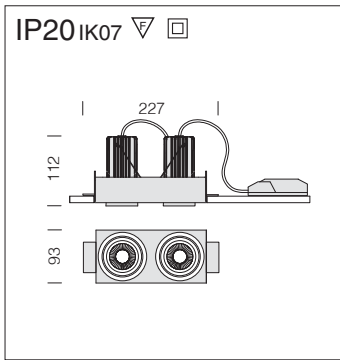
Colour quality



CRI 92

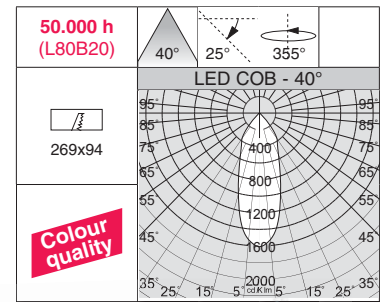
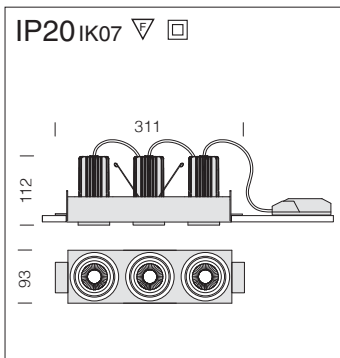


Trimless 50 - A1							
		CLD CELL	CLD CELLD-DIG (DALI)	CLD CELL-E (1h)	CLD CELL-E (3h)	LUMEN OUTPUT (tq= 25 °C)	
LED	colour	weight	code	code	code	code	W tot K - ølm - CRI - degrees
COB	black	0,90	22105130-00	22105130-1241	22105130-09	22105130-31	10 3000K - 957lm - CRI 92 - 15°
			22105131-00	22105131-1241	22105131-09	22105131-31	
COB	black	0,90	22105132-00	22105132-1241	22105132-09	22105132-31	10 3000K - 957lm - CRI 92 - 25°
			22105133-00	22105133-1241	22105133-09	22105133-31	
COB	black	0,90	22105134-00	22105134-1241	22105134-09	22105134-31	10 3000K - 957lm - CRI 92 - 40°
			22105135-00	22105135-1241	22105135-09	22105135-31	



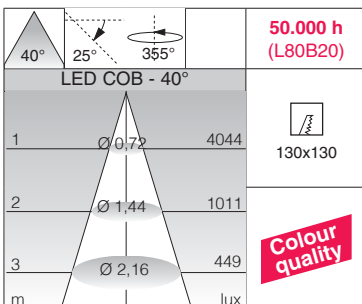
Trimless 50 - A2

LED	colour	CLD CELL		CLD CELLD-DIG (DALI)	CLD CELL-E (1h)	CLD CELL-E (3h)	W tot	LUMEN OUTPUT (tq= 25 °C)	
		weight	code	code	code	code		K - ølm - CRI - degrees	
COB	black	1,30	22105230-00	22105230-1241	22105230-09	22105230-31	20	3000K - 2x957lm - CRI 92 - 15°	
			22105231-00	22105231-1241	22105231-09	22105231-31		4000K - 2x990lm - CRI 92 - 15°	
COB	black	1,30	22105232-00	22105232-1241	22105232-09	22105232-31	20	3000K - 2x957lm - CRI 92 - 25°	
			22105233-00	22105233-1241	22105233-09	22105233-31		4000K - 2x990lm - CRI 92 - 25°	
COB	black	1,30	22105234-00	22105234-1241	22105234-09	22105234-31	20	3000K - 2x957lm - CRI 92 - 40°	
			22105235-00	22105235-1241	22105235-09	22105235-31		4000K - 2x990lm - CRI 92 - 40°	

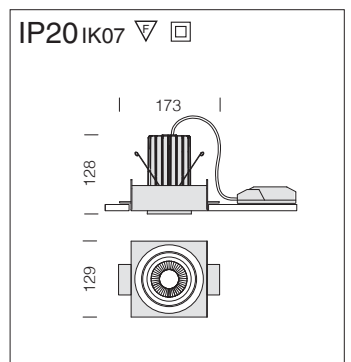


Trimless 50 - A3

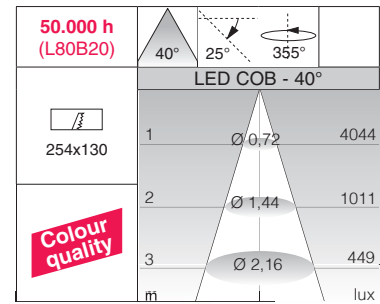
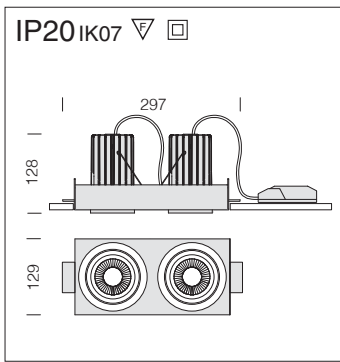
LED	colour	CLD CELL		CLD CELLD-DIG (DALI)	CLD CELL-E (1h)	CLD CELL-E (3h)	W tot	LUMEN OUTPUT (tq= 25 °C)	
		weight	code	code	code	code		K - ølm - CRI - degrees	
COB	black	2,30	22105330-00	22105330-1241	22105330-09	22105330-31	30	3000K - 3x957lm - CRI 92 - 15°	
			22105331-00	22105331-1241	22105331-09	22105331-31		4000K - 3x990lm - CRI 92 - 15°	
COB	black	2,30	22105332-00	22105332-1241	22105332-09	22105332-31	30	3000K - 3x957lm - CRI 92 - 25°	
			22105333-00	22105333-1241	22105333-09	22105333-31		4000K - 3x990lm - CRI 92 - 25°	
COB	black	2,30	22105334-00	22105334-1241	22105334-09	22105334-31	30	3000K - 3x957lm - CRI 92 - 40°	
			22105335-00	22105335-1241	22105335-09	22105335-31		4000K - 3x990lm - CRI 92 - 40°	



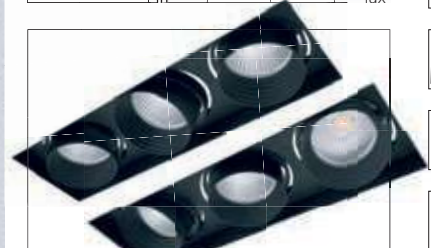
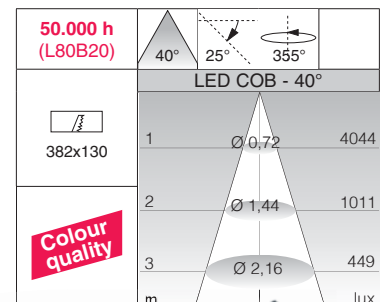
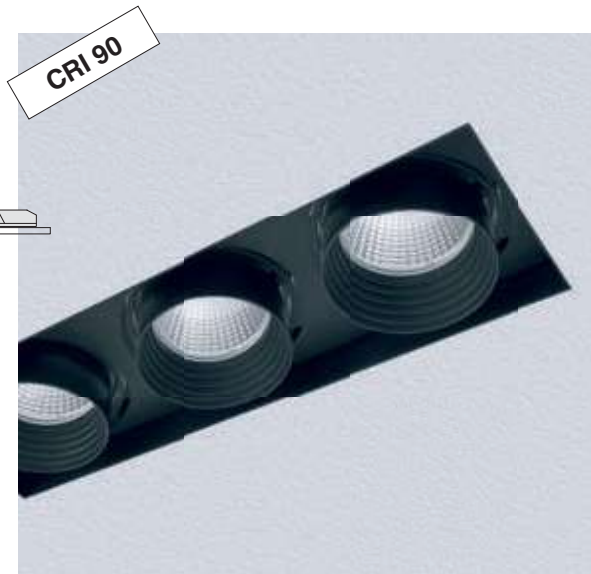
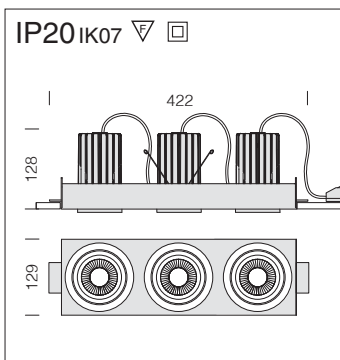
CRI 90



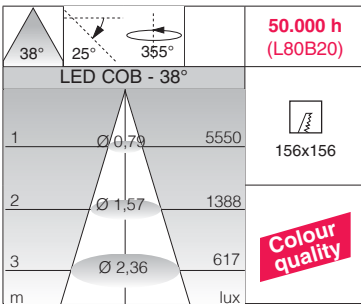
Trimless 70 - A1								
		CLD CELL		CLD CELLD-DIG (DALI)	CLD CELL-E (1h)	CLD CELL-E (3h)	LUMEN OUTPUT (tq= 25 °C)	
LED	colour	weight	code	code	code	code	W tot	K - ølm - CRI - degrees
COB	black	1,00	22107130-00	22107130-1241	22107130-09	22107130-31	25	3000K - 2160lm - CRI 90 - 21°
			22107131-00	22107131-1241	22107131-09	22107131-31		4000K - 2225lm - CRI 90 - 21°
COB	black	1,00	22107132-00	22107132-1241	22107132-09	22107132-31	25	3000K - 2160lm - CRI 90 - 28°
			22107133-00	22107133-1241	22107133-09	22107133-31		4000K - 2225lm - CRI 90 - 28°
COB	black	1,00	22107134-00	22107134-1241	22107134-09	22107134-31	25	3000K - 2160lm - CRI 90 - 40°
			22107135-00	22107135-1241	22107135-09	22107135-31		4000K - 2225lm - CRI 90 - 40°



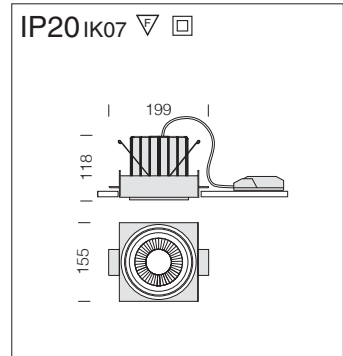
Trimless 70 - A2							LUMEN OUTPUT (tq= 25 °C)	
LED	colour	weight	CLD CELL code	CLD CELLD-DIG (DALI) code	CLD CELL-E (1h) code	CLD CELL-E (3h) code	W tot	K - ølm - CRI - degrees
COB	black	1,70	22107230-00	22107230-1241	22107230-09	22107230-31	50	3000K - 2x2160lm - CRI 90 - 21°
			22107231-00	22107231-1241	22107231-09	22107231-31		4000K - 2x2225lm - CRI 90 - 21°
COB	black	1,70	22107232-00	22107232-1241	22107232-09	22107232-31	50	3000K - 2x2160lm - CRI 90 - 28°
			22107233-00	22107233-1241	22107233-09	22107233-31		4000K - 2x2225lm - CRI 90 - 28°
COB	black	1,70	22107234-00	22107234-1241	22107234-09	22107234-31	50	3000K - 2x2160lm - CRI 90 - 40°
			22107235-00	22107235-1241	22107235-09	22107235-31		4000K - 2x2225lm - CRI 90 - 40°



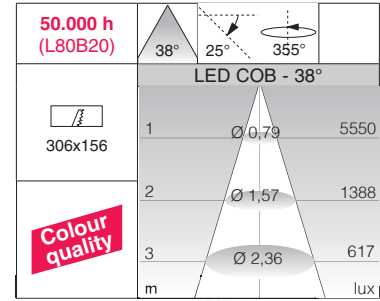
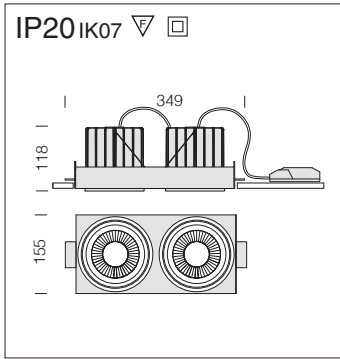
Trimless 70 - A3							LUMEN OUTPUT (tq= 25 °C)	
LED	colour	weight	CLD CELL code	CLD CELLD-DIG (DALI) code	CLD CELL-E (1h) code	CLD CELL-E (3h) code	W tot	K - ølm - CRI - degrees
COB	black	2,80	22107330-00	22107330-1241	22107330-09	22107330-31	75	3000K - 3x2160lm - CRI 90 - 21°
			22107331-00	22107331-1241	22107331-09	22107331-31		4000K - 3x2225lm - CRI 90 - 21°
COB	black	2,80	22107332-00	22107332-1241	22107332-09	22107332-31	75	3000K - 3x2160lm - CRI 90 - 28°
			22107333-00	22107333-1241	22107333-09	22107333-31		4000K - 3x2225lm - CRI 90 - 28°
COB	black	2,80	22107334-00	22107334-1241	22107334-09	22107334-31	75	3000K - 3x2160lm - CRI 90 - 40°
			22107335-00	22107335-1241	22107335-09	22107335-31		4000K - 3x2225lm - CRI 90 - 40°



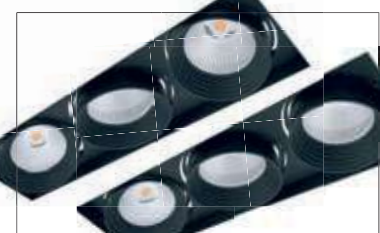
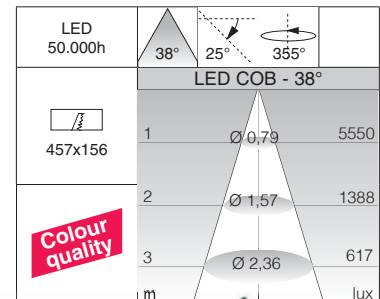
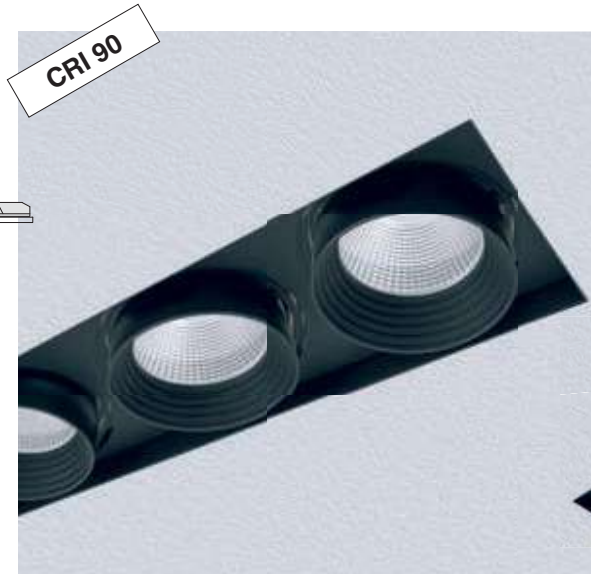
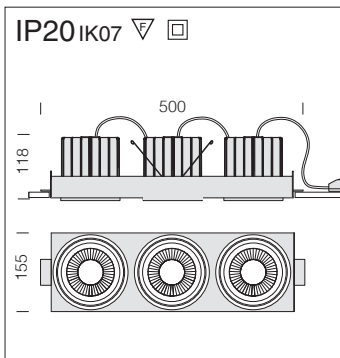
CRI 90



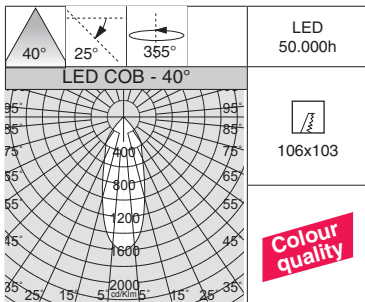
Trimless 111 - A1								
		CLD CELL		CLD CELL-DIG (DALI)	CLD CELL-E (1h)	CLD CELL-E (3h)	LUMEN OUTPUT (tq= 25 °C)	
LED	colour	weight	code	code	code	code	W tot	K - ølm - CRI - degrees
COB	black	1,20	22111130-00	22111130-1241	22111130-09	22111130-31	40	3000K - 3800lm - CRI 90 - 15°
			22111131-00	22111131-1241	22111131-09	22111131-31		4000K - 3900lm - CRI 90 - 15°
COB	black	1,20	22111132-00	22111132-1241	22111132-09	22111132-31	40	3000K - 3800lm - CRI 90 - 25°
			22111133-00	22111133-1241	22111133-09	22111133-31		4000K - 3900lm - CRI 90 - 25°
COB	black	1,20	22111134-00	22111134-1241	22111134-09	22111134-31	40	3000K - 3800lm - CRI 90 - 38°
			22111135-00	22111135-1241	22111135-09	22111135-31		4000K - 3900lm - CRI 90 - 38°



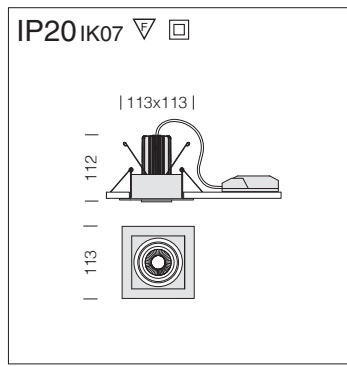
Trimless 111 - A2							LUMEN OUTPUT (tq= 25 °C)	
LED	colour	weight	CLD CELL code	CLD CELLD-DIG (DALI) code	CLD CELL-E (1h) code	CLD CELL-E (3h) code	W tot	K - ølm - CRI - degrees
COB	black	2,40	22111230-00	22111230-1241	22111230-09	22111230-31	80	3000K - 2x3800lm - CRI 90 - 15°
			22111231-00	22111231-1241	22111231-09	22111231-31		4000K - 2x3900lm - CRI 90 - 15°
COB	black	2,40	22111232-00	22111232-1241	22111232-09	22111232-31	80	3000K - 2x3800lm - CRI 90 - 25°
			22111233-00	22111233-1241	22111233-09	22111233-31		4000K - 2x3900lm - CRI 90 - 25°
COB	black	2,40	22111234-00	22111234-1241	22111234-09	22111234-31	80	3000K - 2x3800lm - CRI 90 - 38°
			22111235-00	22111235-1241	22111235-09	22111235-31		4000K - 2x3900lm - CRI 90 - 38°



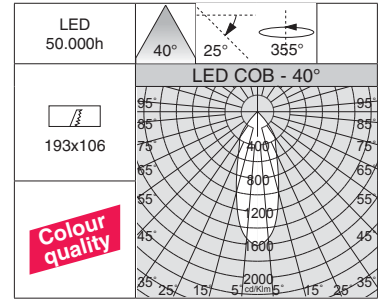
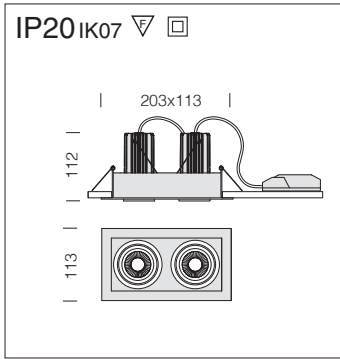
Trimless 111 - A3							LUMEN OUTPUT (tq= 25 °C)	
LED	colour	weight	CLD CELL code	CLD CELLD-DIG (DALI) code	CLD CELL-E (1h) code	CLD CELL-E (3h) code	W tot	K - ølm - CRI - degrees
COB	black	3,60	22111330-00	22111330-1241	22111330-09	22111330-31	120	3000K - 3x3800lm - CRI 90 - 15°
			22111331-00	22111331-1241	22111331-09	22111331-31		4000K - 3x3900lm - CRI 90 - 15°
COB	black	3,60	22111332-00	22111332-1241	22111332-09	22111332-31	120	3000K - 3x3800lm - CRI 90 - 25°
			22111333-00	22111333-1241	22111333-09	22111333-31		4000K - 3x3900lm - CRI 90 - 25°
COB	black	3,60	22111334-00	22111334-1241	22111334-09	22111334-31	120	3000K - 3x3800lm - CRI 90 - 38°
			22111335-00	22111335-1241	22111335-09	22111335-31		4000K - 3x3900lm - CRI 90 - 38°



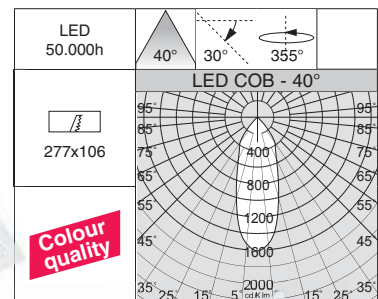
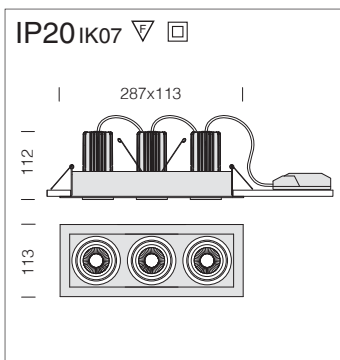
Colour quality



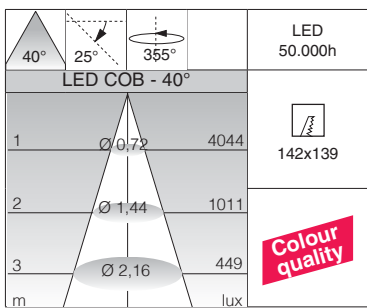
Trimless 50 - B1							
LED	colour	CLD CELL		CLD CELL-DIG (DALI)	CLD CELL-E (1h)	CLD CELL-E (3h)	LUMEN OUTPUT (tq= 25 °C) K - ølm - CRI - degrees
		weight	code	code	code	code	
COB	black	1,20	22105110-00	22105110-1241	22105110-09	22105110-31	10 3000K - 957lm - CRI 92 - 15° 4000K - 990lm - CRI 92 - 15°
			22105111-00	22105111-1241	22105111-09	22105111-31	
COB	black	1,20	22105112-00	22105112-1241	22105112-09	22105112-31	10 3000K - 957lm - CRI 92 - 25° 4000K - 990lm - CRI 92 - 25°
			22105113-00	22105113-1241	22105113-09	22105113-31	
COB	black	1,20	22105114-00	22105114-1241	22105114-09	22105114-31	10 3000K - 957lm - CRI 92 - 40° 4000K - 990lm - CRI 92 - 40°
			22105115-00	22105115-1241	22105115-09	22105115-31	



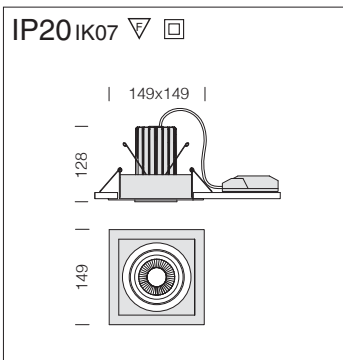
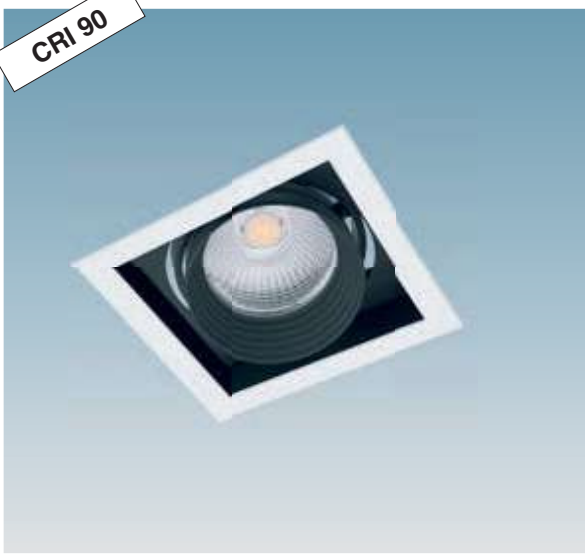
Trimless 50 - B2							LUMEN OUTPUT (tq= 25 °C)	
LED	colour	weight	CLD CELL code	CLD CELLD-DIG (DALI) code	CLD CELL-E (1h) code	CLD CELL-E (3h) code	W tot	K - ølm - CRI - degrees
COB	black	2,40	22105210-00	22105210-1241	22105210-09	22105210-31	20	3000K - 2x957lm - CRI 92 - 15°
			22105211-00	22105211-1241	22105211-09	22105211-31		4000K - 2x990lm - CRI 92 - 15°
COB	black	2,40	22105212-00	22105212-1241	22105212-09	22105212-31	20	3000K - 2x957lm - CRI 92 - 25°
			22105213-00	22105213-1241	22105213-09	22105213-31		4000K - 2x990lm - CRI 92 - 25°
COB	black	2,40	22105214-00	22105214-1241	22105214-09	22105214-31	20	3000K - 2x957lm - CRI 92 - 40°
			22105215-00	22105215-1241	22105215-09	22105215-31		4000K - 2x990lm - CRI 92 - 40°



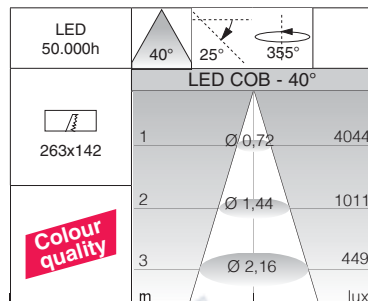
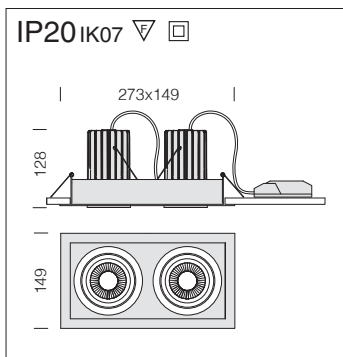
Trimless 50 - B3							LUMEN OUTPUT (tq= 25 °C)	
LED	colour	weight	CLD CELL code	CLD CELLD-DIG (DALI) code	CLD CELL-E (1h) code	CLD CELL-E (3h) code	W tot	K - ølm - CRI - degrees
COB	black	3,60	22105310-00	22105310-1241	22105310-09	22105310-31	30	3000K - 3x957lm - CRI 92 - 15°
			22105311-00	22105311-1241	22105311-09	22105311-31		4000K - 3x990lm - CRI 92 - 15°
COB	black	3,60	22105312-00	22105312-1241	22105312-09	22105312-31	30	3000K - 3x957lm - CRI 92 - 25°
			22105313-00	22105313-1241	22105313-09	22105313-31		4000K - 3x990lm - CRI 92 - 25°
COB	black	3,60	22105314-00	22105314-1241	22105314-09	22105314-31	30	3000K - 3x957lm - CRI 92 - 40°
			22105315-00	22105315-1241	22105315-09	22105315-31		4000K - 3x990lm - CRI 92 - 40°



CRI 90

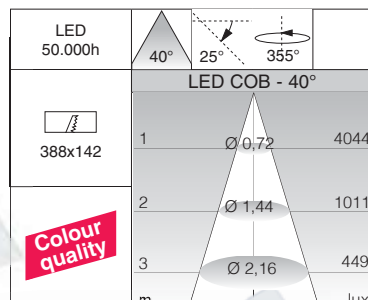
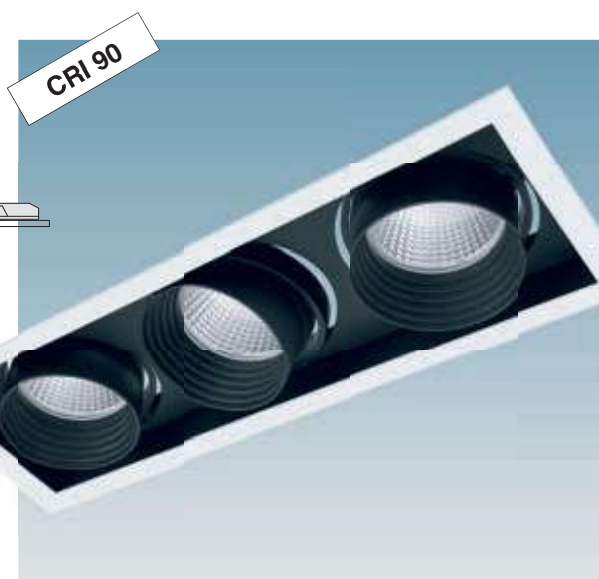
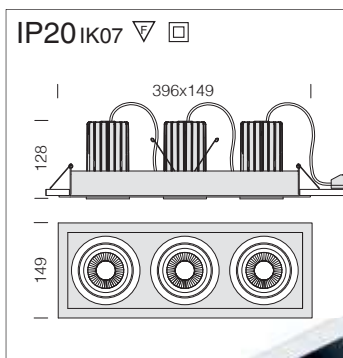


Trimless 70 - B1								
		CLD CELL		CLD CELLD-DIG (DALI)	CLD CELL-E (1h)	CLD CELL-E (3h)	LUMEN OUTPUT (tq= 25 °C)	
LED	colour	weight	code	code	code	code	W tot	K - ølm - CRI - degrees
COB	black	1,30	22107110-00	22107110-1241	22107110-09	22107110-31	25	3000K - 2160lm - CRI 90 - 21°
			22107111-00	22107111-1241	22107111-09	22107111-31		4000K - 2225lm - CRI 90 - 21°
COB	black	1,30	22107112-00	22107112-1241	22107112-09	22107112-31	25	3000K - 2160lm - CRI 90 - 28°
			22107113-00	22107113-1241	22107113-09	22107113-31		4000K - 2225lm - CRI 90 - 28°
COB	black	1,30	22107114-00	22107114-1241	22107114-09	22107114-31	25	3000K - 2160lm - CRI 90 - 40°
			22107115-00	22107115-1241	22107115-09	22107115-31		4000K - 2225lm - CRI 90 - 40°



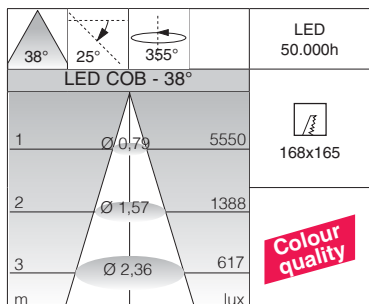
Trimless 70 - B2

LED	colour	CLD CELL				W tot	LUMEN OUTPUT (tq= 25 °C)
		weight	code	code	code		
COB	black	2,60	22107210-00	22107210-1241	22107210-09	22107210-31	3000K - 2x2160lm - CRI 90 - 21°
			22107211-00	22107211-1241	22107211-09	22107211-31	4000K - 2x2225lm - CRI 90 - 21°
COB	black	2,60	22107212-00	22107212-1241	22107212-09	22107212-31	3000K - 2x2160lm - CRI 90 - 28°
			22107213-00	22107213-1241	22107213-09	22107213-31	4000K - 2x2225lm - CRI 90 - 28°
COB	black	2,60	22107214-00	22107214-1241	22107214-09	22107214-31	3000K - 2x2160lm - CRI 90 - 40°
			22107215-00	22107215-1241	22107215-09	22107215-31	4000K - 2x2225lm - CRI 90 - 40°

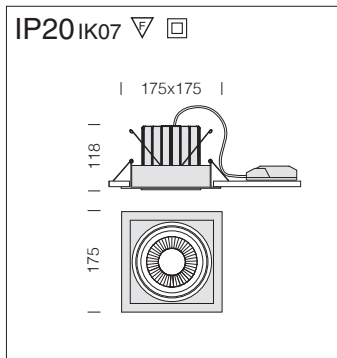


Trimless 70 - B3

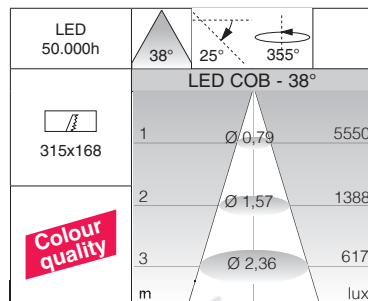
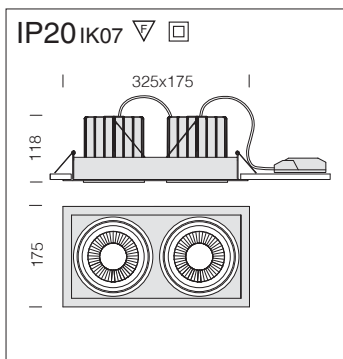
LED	colour	CLD CELL				W tot	LUMEN OUTPUT (tq= 25 °C)
		weight	code	code	code		
COB	black	3,80	22107310-00	22107310-1241	22107310-09	22107310-31	3000K - 3x2160lm - CRI 90 - 21°
			22107311-00	22107311-1241	22107311-09	22107311-31	4000K - 3x2225lm - CRI 90 - 21°
COB	black	3,80	22107312-00	22107312-1241	22107312-09	22107312-31	3000K - 3x2160lm - CRI 90 - 28°
			22107313-00	22107313-1241	22107313-09	22107313-31	4000K - 3x2225lm - CRI 90 - 28°
COB	black	3,80	22107314-00	22107314-1241	22107314-09	22107314-31	3000K - 3x2160lm - CRI 90 - 40°
			22107315-00	22107315-1241	22107315-09	22107315-31	4000K - 3x2225lm - CRI 90 - 40°



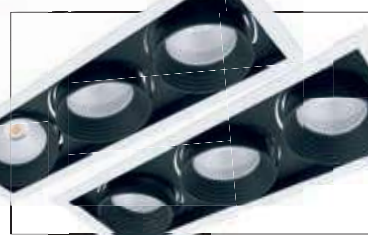
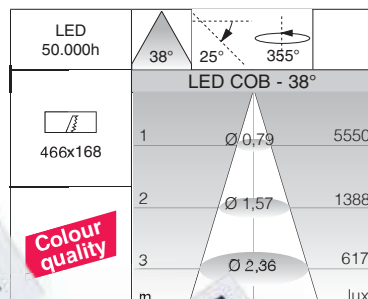
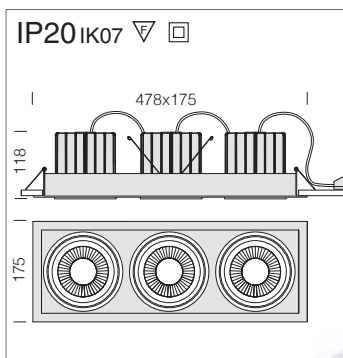
CRI 90



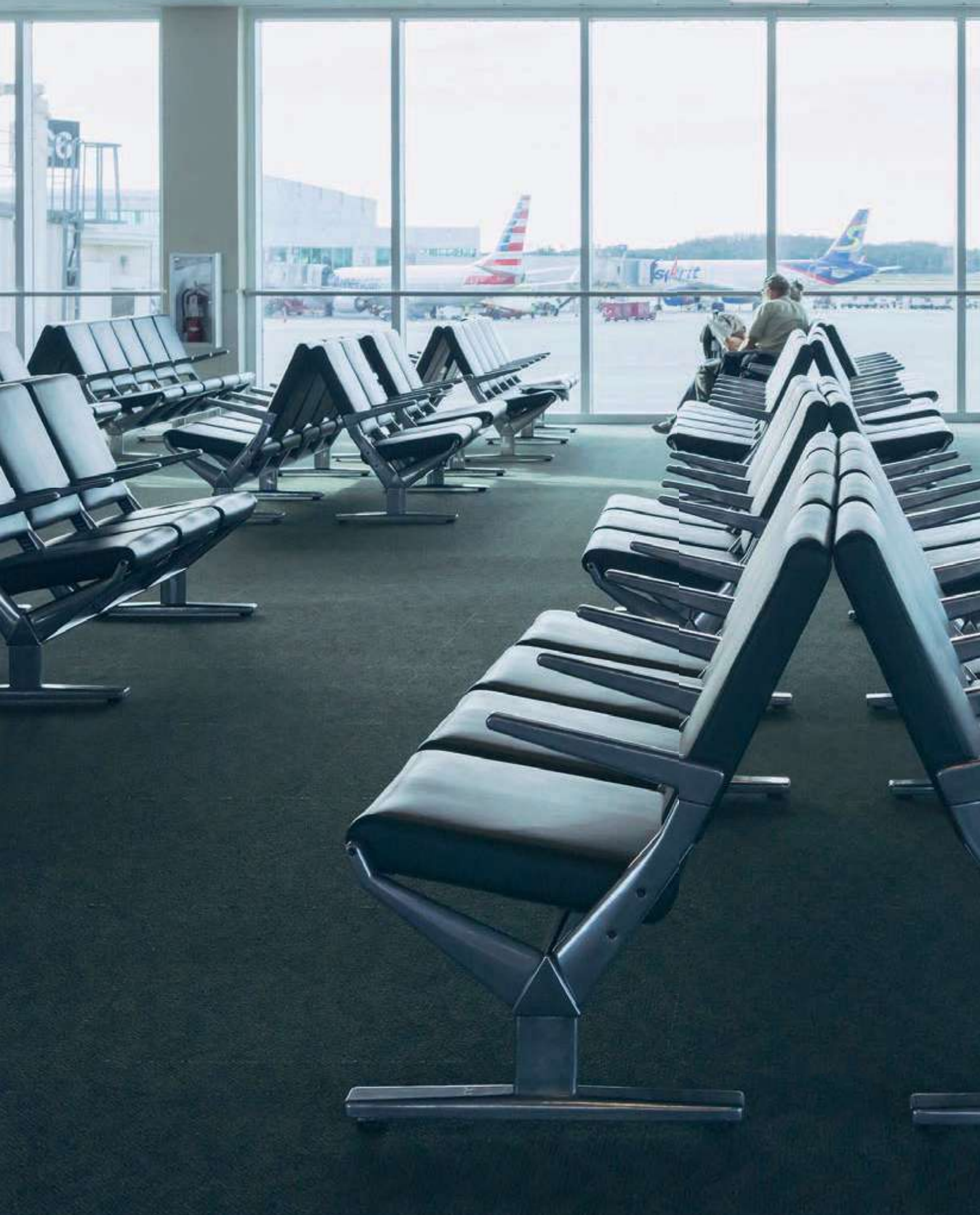
Trimless 111 - B1							
LED	colour	weight	CLD CELL code	CLD CELL-DIG (DALI) code	CLD CELL-E (1h) code	CLD CELL-E (3h) code	LUMEN OUTPUT (tq= 25 °C)
COB	white	1,50	22111110-00	22111110-1241	22111110-09	22111110-31	40 3000K - 3800lm - CRI 90 - 15° 4000K - 3900lm - CRI 90 - 15°
			22111111-00	22111111-1241	22111111-09	22111111-31	
COB	white	1,50	22111112-00	22111112-1241	22111112-09	22111112-31	40 3000K - 3800lm - CRI 90 - 25° 4000K - 3900lm - CRI 90 - 25°
			22111113-00	22111113-1241	22111113-09	22111113-31	
COB	white	1,50	22111114-00	22111114-1241	22111114-09	22111114-31	40 3000K - 3800lm - CRI 90 - 38° 4000K - 3900lm - CRI 90 - 38°
			22111115-00	22111115-1241	22111115-09	22111115-31	



Trimless 111 - B2							LUMEN OUTPUT (tq= 25 °C)	
LED	colour	weight	CLD CELL code	CLD CELLD-DIG (DALI) code	CLD CELL-E (1h) code	CLD CELL-E (3h) code	W tot	K - ølm - CRI - degrees
COB	white	2,80	22111210-00	22111210-1241	22111210-09	22111210-31	80	3000K - 2x3800lm - CRI 90 - 15°
			22111211-00	22111211-1241	22111211-09	22111211-31		4000K - 2x3900lm - CRI 90 - 15°
COB	white	2,80	22111212-00	22111212-1241	22111212-09	22111212-31	80	3000K - 2x3800lm - CRI 90 - 25°
			22111213-00	22111213-1241	22111213-09	22111213-31		4000K - 2x3900lm - CRI 90 - 25°
COB	white	2,80	22111214-00	22111214-1241	22111214-09	22111214-31	80	3000K - 2x3800lm - CRI 90 - 38°
			22111215-00	22111215-1241	22111215-09	22111215-31		4000K - 2x3900lm - CRI 90 - 38°



Trimless 111 - B3							LUMEN OUTPUT (tq= 25 °C)	
LED	colour	weight	CLD CELL code	CLD CELLD-DIG (DALI) code	CLD CELL-E (1h) code	CLD CELL-E (3h) code	W tot	K - ølm - CRI - degrees
COB	white	4,00	22111310-00	22111310-1241	22111310-09	22111310-31	120	3000K - 3x3800lm - CRI 90 - 15°
			22111311-00	22111311-1241	22111311-09	22111311-31		4000K - 3x3900lm - CRI 90 - 15°
COB	white	4,00	22111312-00	22111312-1241	22111312-09	22111312-31	120	3000K - 3x3800lm - CRI 90 - 25°
			22111313-00	22111313-1241	22111313-09	22111313-31		4000K - 3x3900lm - CRI 90 - 25°
COB	white	4,00	22111314-00	22111314-1241	22111314-09	22111314-31	120	3000K - 3x3800lm - CRI 90 - 38°
			22111315-00	22111315-1241	22111315-09	22111315-31		4000K - 3x3900lm - CRI 90 - 38°

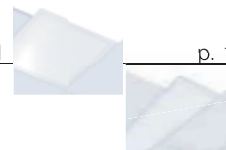


LED Panels

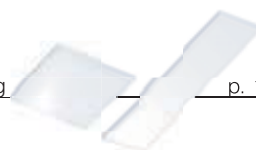
Eco Pannello luminoso ARCHITECTURAL - recessed p. 128



Eco Pannello luminoso - recessed p. 132



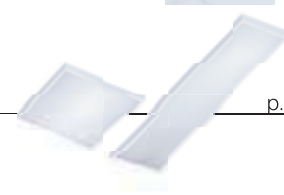
Eco Pannello luminoso - ceiling p. 134



PanelTech - recessed p. 136



PanelTech - ceiling p. 142





Was designed to ensure versatility and energy-efficiency: thanks to the use of LED technology, it can contain consumption and be installed in small spaces, hence saving resources.

Frame: in aluminium.

Inner slab: in PMMA.

Diffuser: in opal engineering plastic with high transmittance.

Wiring: rapid wiring connection, the fixture does not need to be opened; equipped with fast connector.

Low Flicker: product with a very low flicker; uniform light for greater eye protection.

LED: luminous flux maintenance 80%: **50.000 h (L80B20)**.

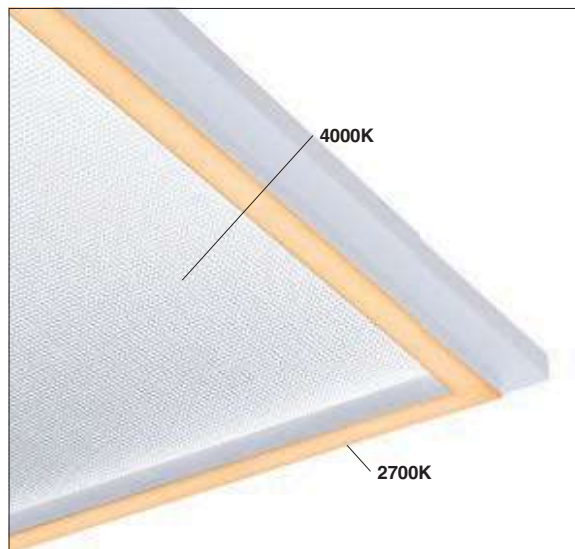
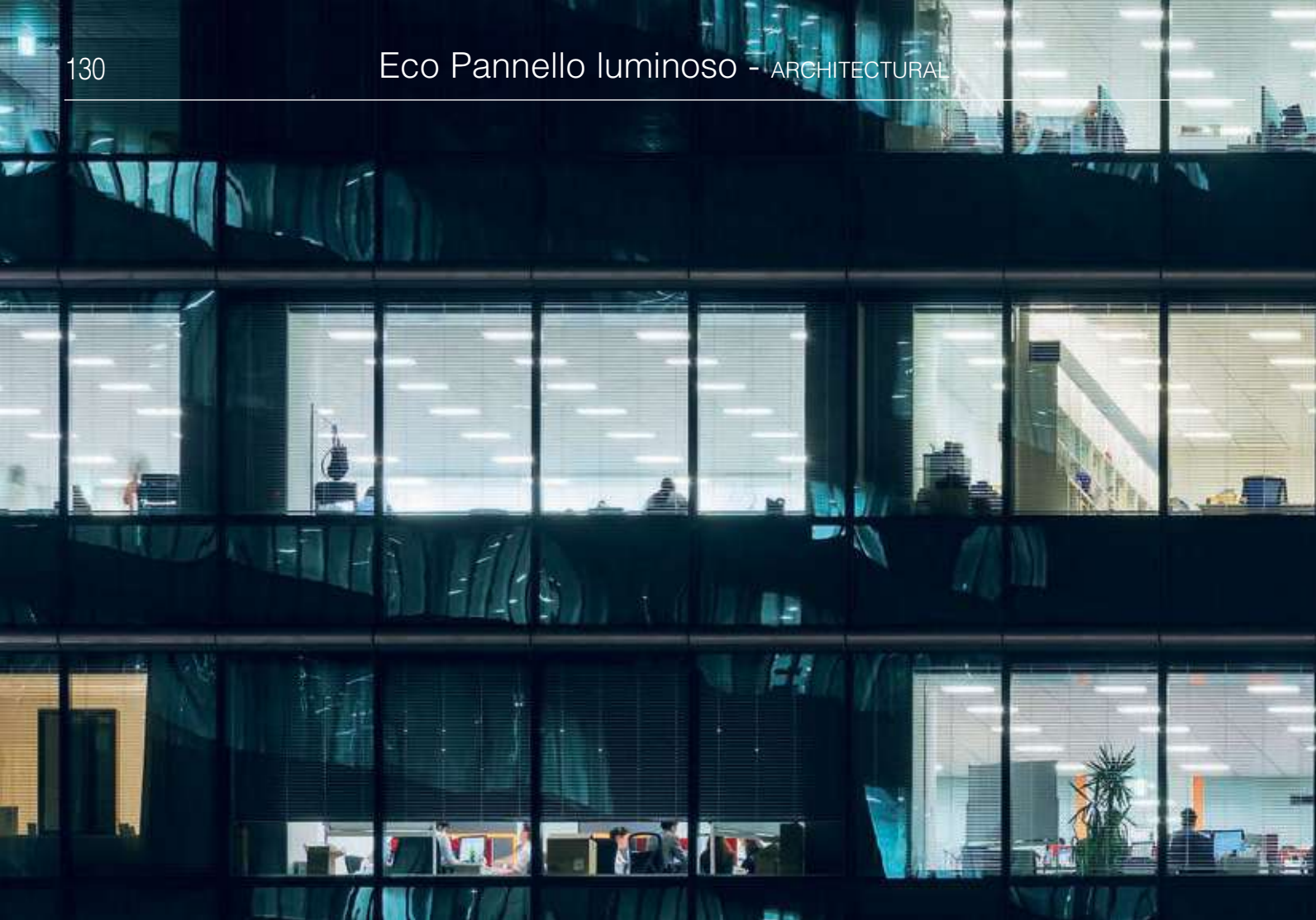
Power factor $\geq 0,95$.

Photobiological safety class: exempt group.



Construction quality is an important factor for the product's aesthetics and performance, turning into a key element to ensure reliability over time. In the case of Fosnova's Pannello and PanelTech, the slab is made in top-notch material, **PMMA** (poly methyl methacrylate), a polymer that keeps its characteristics unaltered in time and prevents the lens from yellowing.





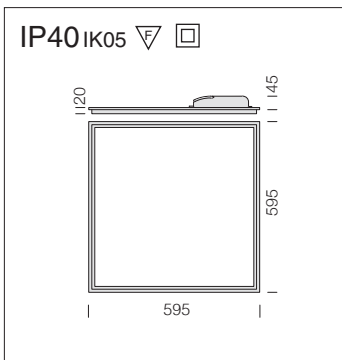
Version with **2700K-CRI 84 LED integrated into the frame** and separate on/off switching as standard; possibility to control or switch lights on/off also via remote control to be purchased separately (maximum 6 units, 200 controllable fixtures and maximum remote control distance of 20 metres). Ideal to create special effects, such as accent lighting and ambient lighting.

Inner slab: in PMMA.

LED: luminous flux maintenance 80%: **50.000 h (L80B20)**.

Power factor ≥ 0.95 .

Photobiological safety class: exempt group.

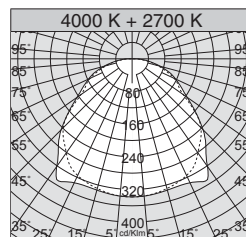
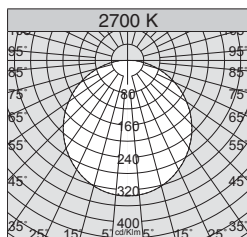
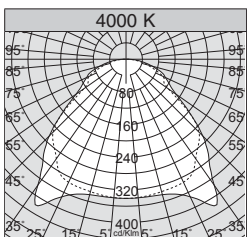


50.000 h (L80B20)	L		
----------------------	---	--	--

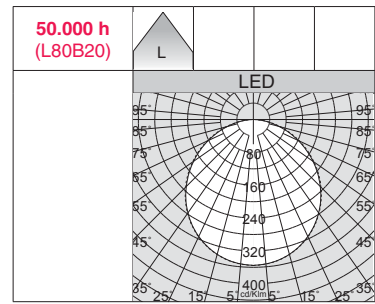
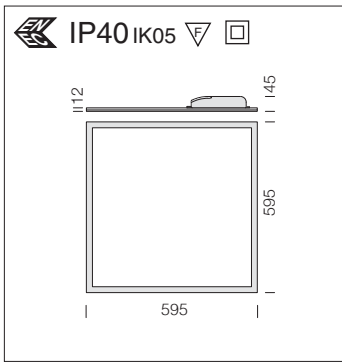
LED	
Power factor	≥0,95
Photobiological safety	Exempt group
LED wattage	31W
Power consumption	34W
LED Luminous flux maintenance L80B20	50.000h



Eco Pannello luminoso - ARCHITECTURAL							LUMEN OUTPUT (tq= 25 °C)	
LED	colour	CLD CELL-D		CLD CELL-D (DALI)	CLD CELL-E (1 h)	CLD CELL-E (3 h)	W tot	K - ølm - CRI
		weight	code	code	code	code		
LED	white	3.30	22184018-00	22184018-1241	22184018-09	22184018-31	34	4000K - 2772 lm - CRI 84 2700K - 2878lm - CRI 84 4000-2700 K - 2986lm - CRI 84







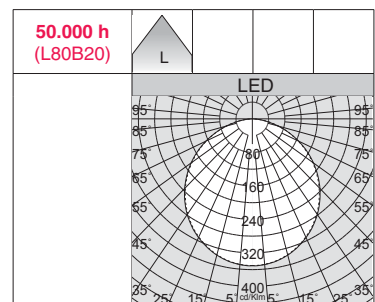
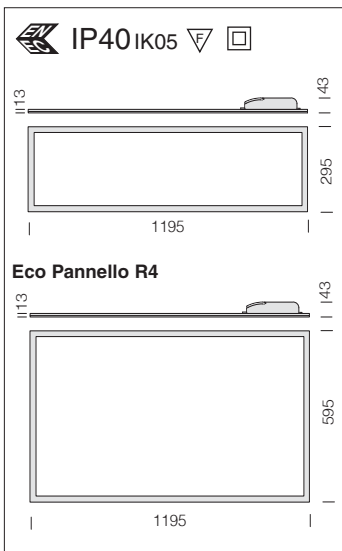
LED	
Power factor	≥0,95
Photobiological safety	Exempt group
LED wattage	31W 49W
Power consumption	34W 54W
LED Luminous flux maintenance L80B20	50.000h



Eco Pannello luminoso

LED	colour	CLD CELL (ON-OFF)		CLD CELL-D (1-10V)	CLD CELLD-D (DALI)	CLD CELL-E (1h)	CLD CELL-E (3h)	W tot	LUMEN OUTPUT (tq= 25 °C)	
		weight	code	code	code	code	code		K - ølm - CRI	
LED	white	4.10	22184711-00	22184711-12	22184711-1241	22184711-09	22184711-31	34	3000K - 3417lm - CRI 83	
			22184710-00	22184710-12	22184710-1241	22184710-09	22184710-31		4000K - 3675lm - CRI 83	
LED *	white	4.10	22184615-39	22184615-1228	22184615-3941	22184615-0928	22184615-3957	54	3000K - 4929lm - CRI 83	
			22184615-00	22184615-12	22184615-1241	22184615-09	22184615-31		4000K - 5300lm - CRI 83	

* insulation class I.



LED R2	
Power factor	≥0,95
Photobiological safety	Exempt group
LED wattage	31W 49W
Power consumption	34W 54W
LED Luminous flux maintenance L80B20	50.000h



Eco Pannello luminoso R2

LED	colour	CLD CELL (ON-OFF)		CLD CELLD-D (DALI)	CLD CELL-E (1h)	CLD CELL-E (3h)	W tot	LUMEN OUTPUT (tq= 25 °C)	
		weight	code	code	code	code		K - ølm - CRI	
LED	white	4.00	22185219-00	22185219-1241	22185219-09	22185219-31	34	3000K - 3417lm - CRI 83	
			22185218-00	22185218-1241	22185218-09	22185218-31		4000K - 3675lm - CRI 83	
LED *	white	4.00	22185214-39	22185214-3941	22185214-0928	22185214-3957	54	3000K - 4929lm - CRI 83	
			22185214-00	22185214-1241	22185214-09	22185214-31		4000K - 5300lm - CRI 83	

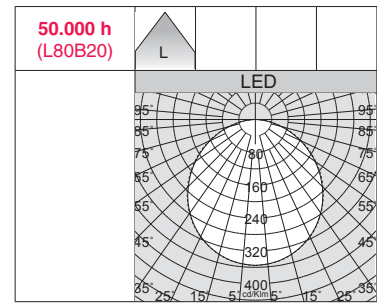
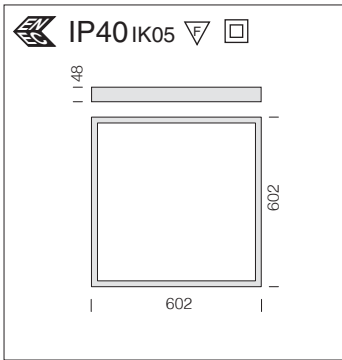
* insulation class I.

Eco Pannello luminoso R4

LED	colour	CLD CELL (ON-OFF)		CLD CELLD-D (DALI)	CLD CELL-E (1h)	CLD CELL-E (3h)	W tot	LUMEN OUTPUT (tq= 25 °C)	
		weight	code	code	code	code		K - ølm - CRI	
LED *	white	7.40	22185318-00	22185318-1241	22185318-09	22185318-31	73	4000K - 6880lm - CRI 83	

* I insulation class.



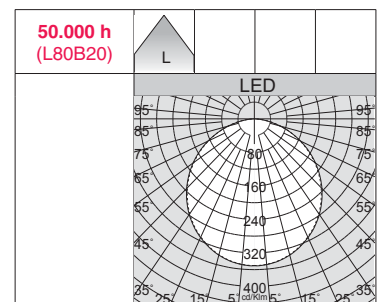
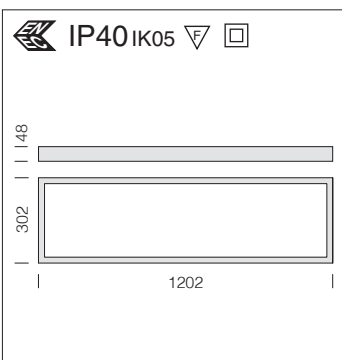


LED	
Power factor	≥0,95
Photobiological safety	Exempt group
LED wattage	31W 49W
Power consumption	34W 54W
LED Luminous flux maintenance L80B20	50.000h



Eco Pannello luminoso - CEILING							
LED	colour	CLD CELL (ON-OFF)		CLD CELL-DIG (DALI)	CLD CELL-E (1 h)	CLD CELL-E (3 h)	LUMEN OUTPUT (tq= 25 °C)
		weight	code	code	code	code	
LED	white	5.10	22184911-00	22184911-1241	22184911-09	22184911-31	34
			22184910-00	22184910-1241	22184910-09	22184910-31	
LED *	white	5.10	22184912-39	22184912-3941	22184912-0928	22184912-3957	54
			22184912-00	22184912-1241	22184912-09	22184912-31	
							K - ølm - CRI
							3000K - 3417lm - CRI 83
							4000K - 3675lm - CRI 83
							3000K - 4929lm - CRI 83
							4000K - 5300lm - CRI 83

* insulation class I.

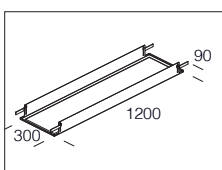


LED	
Power factor	≥0,95
Photobiological safety	Exempt group
LED wattage	31W 49W
Power consumption	34W 54W
LED Luminous flux maintenance L80B20	50.000h

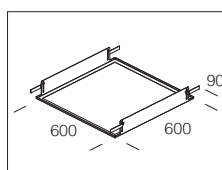


Eco Pannello luminoso R2 - CEILING							
LED	colour	CLD CELL (ON-OFF)		CLD CELL-DIG (DALI)	CLD CELL-E (1 h)	CLD CELL-E (3 h)	LUMEN OUTPUT (tq= 25 °C)
		weight	code	code	code	code	
LED	white	5.10	22185911-00	22185911-1241	22185911-09	22185911-31	34
			22185910-00	22185910-1241	22185910-09	22185910-31	
LED *	white	5.10	22185912-39	22185912-3941	22185912-0928	22185912-3957	54
			22185912-00	22185912-1241	22185912-09	22185912-31	
							K - ølm - CRI
							3000K - 3417lm - CRI 83
							4000K - 3675lm - CRI 83
							3000K - 4929lm - CRI 83
							4000K - 5300lm - CRI 83

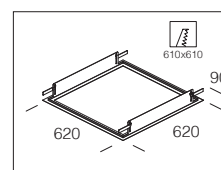
* insulation class I.



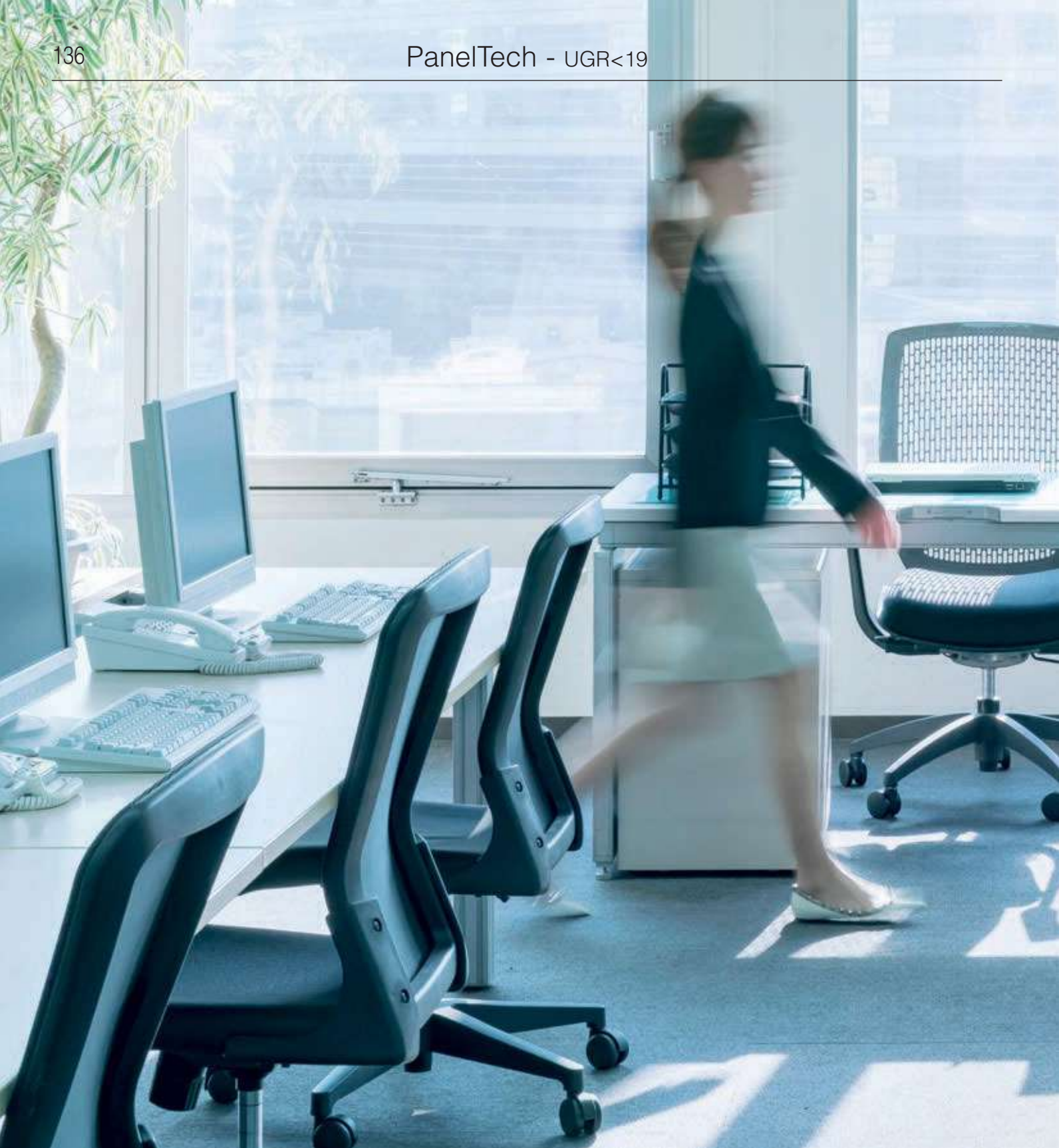
Frame - 1200x300
22097014-00
Ideal for mounting the fixture in false ceilings with hidden structure.



Frame - 600x600
22097010-00
Ideal for mounting the fixture in false ceilings with hidden structure.



Frame - 620x620
22097015-00
Ideal for mounting the fixture in plasterboard false ceilings.



The superior quality of LED lighting is now more affordable and accessible thanks to a benchmarking product that offers, at contained costs, the ideal light for offices, shopping centres, hotels and healthcare facilities and, in general, all spaces where continuous lighting is necessary.

It is the best and easiest way to get one of today's most advanced technology in interior lighting solutions. The presence of a LED source is not always synonym with excellent performance. The long service life and optimal light output of a lighting system also depend on the use of top-notch materials that are tested, controlled and selected with care to maintain lighting and aesthetic quality over time: lumen maintenance, perfect colour rendering, no glare and anti-yellowing of components. A special slab fitted between the LED source and the diffuser is responsible for the operation, quality and amount of light emitted from the light panel. This slab is made in PMMA (polymethyl methacrylate), a polymer that keeps its characteristics unaltered in time and prevents the lens from yellowing.

Frame: in aluminium.

Inner slab: in PMMA.

Diffuser: in opal engineering plastic with high transmittance.

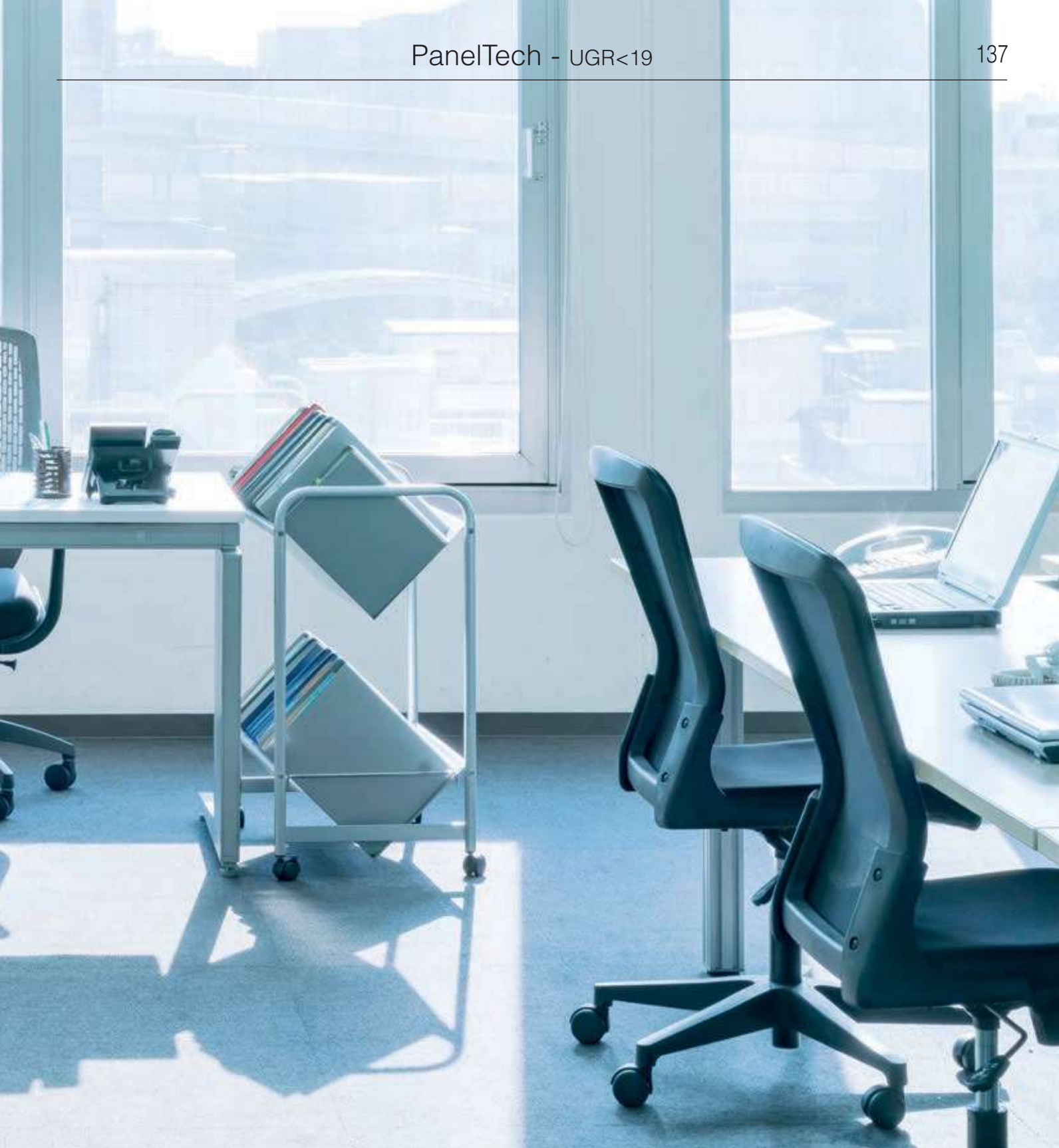
Wiring: rapid wiring connection, the fixture does not need to be opened; equipped with fast connector.

Low Flicker: product with a very low flicker; uniform light for greater eye protection.

LED: luminous flux maintenance 80%: **50.000 h (L80B20)**.

Power factor $\geq 0,95$.

Photobiological safety class: exempt group.



Classification of UGR values by applications		
UGR	≤ 16	Very demanding applications (technical drawings)
	≤ 19	Offices and schools (reading, writing, business meetings, computer work)
	≤ 22	Industrial applications, craftsmen
	> 28	High glare

12464-1 recommends a specific UGR value for different applications ranging between **10 and 30**; **the lower the UGR value, the lower the glare**. The exact value of this index differs by project type because it depends on the position of the luminaires, room characteristics (dimensions, reflections) and on the point of observation of viewers.

The **UGR** (unified glare rating) is an international unified measure developed by the CIE (Commission Internationale de l'Eclairage) to assess the direct glare generated by a lighting system. The European standard regulating the lighting of indoor work places (**UNI-EN**

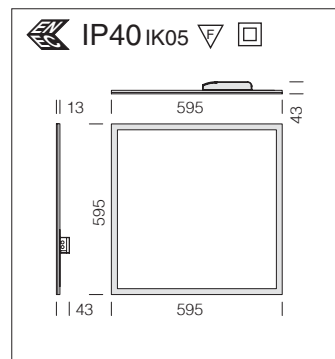
L

50.000 h
(L80B20)

PANELTECH A - UGR<19

LED

Power factor	≥0,95
Photobiological safety	Exempt group
LED wattage	31W
Power consumption	34W
LED luminous flux maintenance L80B20	50.000h



PanelTech A - UGR<19									
LED	colour	CLD CELL (ON-OFF)		CLD CELL-D (0-10V)	CLD CELL-DIG (DALI)	CLD CELL-E (1h)	CLD CELL-E (3h)	W tot	LUMEN OUTPUT (tq= 25 °C)
		weight	code	code	code	code	code		K - ølm - CRI
LED	white	4,00	22184811-00	22184811-12	22184811-1241	22184811-09	22184811-31	34	3000K - 3408lm - CRI 80
			22184810-00	22184810-12	22184810-1241	22184810-09	22184810-31		4000K - 3527lm - CRI 80

On request: version also available in 610x610 mm size.

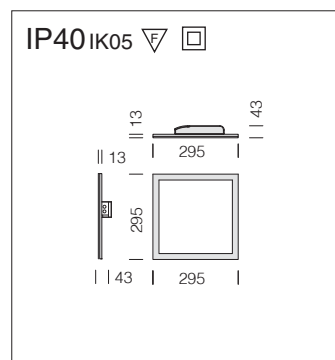
L

50.000 h
(L80B20)

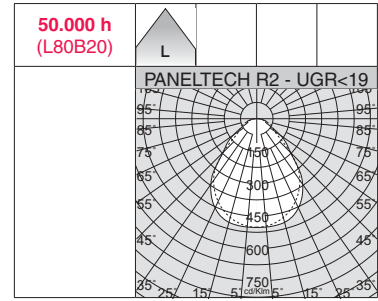
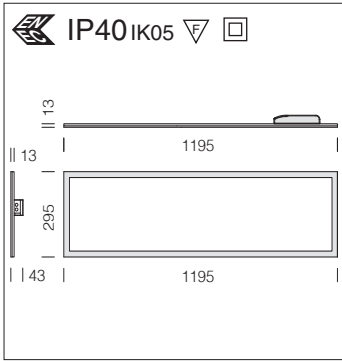
PANELTECH B - UGR<19

LED

Power factor	≥0,95
Photobiological safety	Exempt group
LED wattage	15W
Power consumption	17W
LED luminous flux maintenance L80B20	50.000h



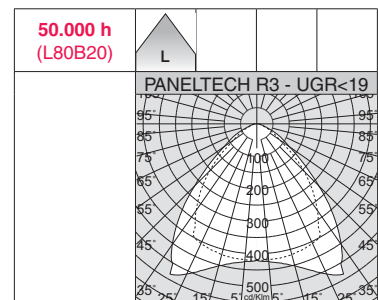
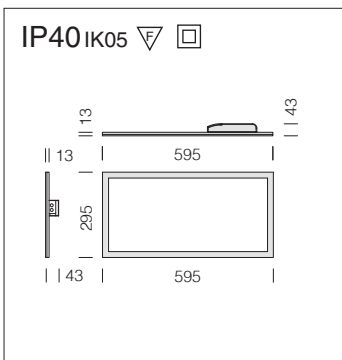
PanelTech B - UGR<19								
LED	colour	CLD CELL-D (0-10V)		CLD CELL-DIG (DALI)	CLD CELL-E (1h)	CLD CELL-E (3h)	W tot	LUMEN OUTPUT (tq= 25 °C)
		weight	code	code	code	code		K - ølm - CRI
LED	white	2,50	22185411-00	22185411-1241	22185411-09	22185411 -31	17	3000K - 1488lm - CRI 80
			22185410-00	22185410-1241	22185410-09	22185410-31		4000K - 1600lm - CRI 80



LED	
Power factor	≥0,95
Photobiological safety	Exempt group
LED wattage	31W
Power consumption	34W
LED luminous flux maintenance L80B20	50.000h



PanelTech R2 - UGR<19									
LED	colour	weight	CLD CELL (ON-OFF) code	CLD CELL-D (0-10V) code	CLD CELLD-DIG (DALI) code	CLD CELL-E (1h) code	CLD CELL-E (3h) code	W tot	LUMEN OUTPUT (tq= 25 °C)
LED	white	4.00	22185211-00	22185211-12	22185211-1241	22185211-09	22185211-31	34	K - ølm - CRI
			22185210-00	22185210-12	22185210-1241	22185210-09	22185210-31		3000K - 3353lm - CRI 80
									4000K - 3470lm - CRI 80

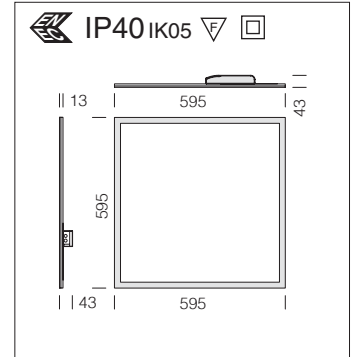
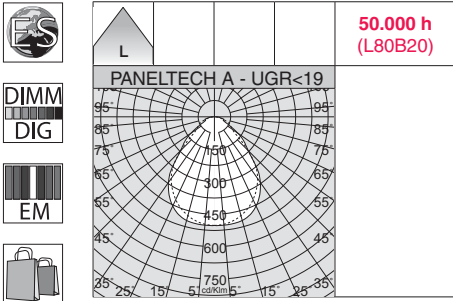


LED	
Power factor	≥0,95
Photobiological safety	Exempt group
LED wattage	17W
Power consumption	20W
LED luminous flux maintenance L80B20	50.000h



PanelTech R3 - UGR<19								
LED	colour	weight	CLD CELL-D (0-10V) code	CLD CELLD-DIG (DALI) code	CLD CELL-E (1h) code	CLD CELL-E (3h) code	W tot	LUMEN OUTPUT (tq= 25 °C)
LED	white	3.00	22185311-00	22185311-1241	22185311-09	22185311 -31	20	K - ølm - CRI
			22185310-00	22185310-1241	22185310-09	22185310 -31		3000K - 1953lm - CRI 80
								4000K - 2100lm - CRI 80





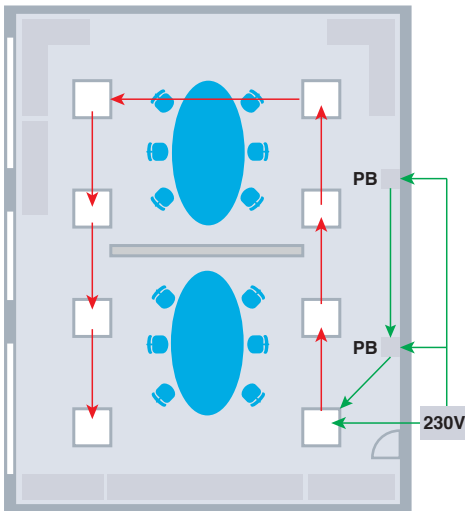
LED	
Power factor	≥0,95
Photobiological safety	Exempt group
LED wattage	31W
Power consumption	34W
LED luminous flux maintenance L80B20	50.000h

PanelTech A - UGR<19 - LED						
LED	colour	CLD CELL-DIG (PUSH DALI)		CLD CELL-E (1h)	CLD CELL-E (3h)	LUMEN OUTPUT (tq= 25 °C)
		weight	code	code	code	
LED	white	4.00	22184811-1245	22184811-0945	22184811-3145	K - olm - CRI 80 3000K - 3408lm - CRI 80 4000K - 3527lm - CRI 80
			22184810-1245	22184810-0945	22184810-3145	
W tot						34

On request: version also available in 610x610 mm size.

PANELTECH - PUSH DIMM DALI VERSION (sub-code -1245)

Example of application



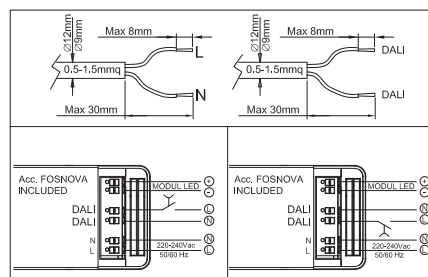
Operating principle:

Lighting fixtures are connected by means of standard parallel connector(s) which are supplied by the installer and that send a signal on the driver's DALI input. The other DALI input is connected to the neutral terminal. Lighting fixtures are powered directly at 230 V from the panel.

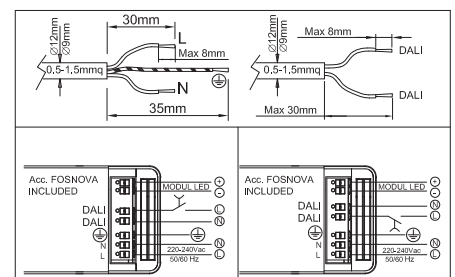
ADVANTAGES:

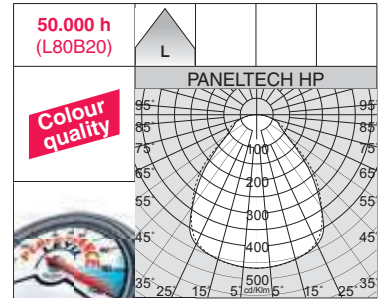
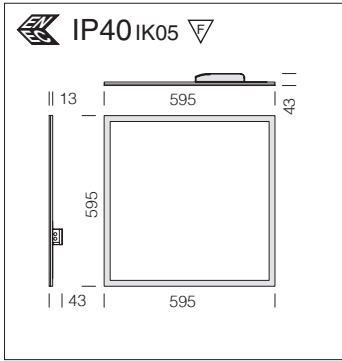
- No need for connection accessories
- No limit in the number of parallel connectors (PB)
- No power cable

PUSH DIMM CONNECTION



PUSH DIMM CONNECTION



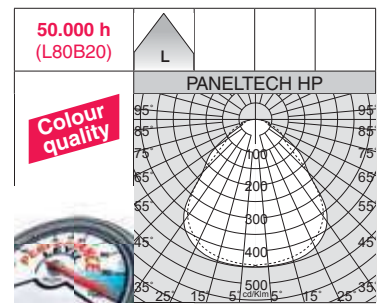
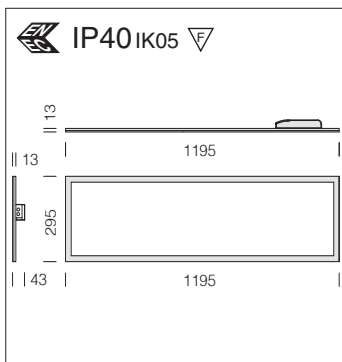


LED	
Power factor	≥0,95
Photobiological safety	Exempt group
LED wattage	46W 50W
Power consumption	51W 56W
LED luminous flux maintenance L80B20	50.000h



PanelTech High Performance A2 - LED									
LED	colour	CLD CELL (ON-OFF)		CLD CELLD-DIG (DALI)	CLD CELL-E (1h)	CLD CELL-E (3h)	W tot	LUMEN OUTPUT (tq= 25 °C)	
		weight	code	code	code	code		K - ølm - CRI	
LED	white	4.00	22184812-39	22184812-3941	22184812-0928	22184812-3957	51	3000K - 4557lm	CRI 93
			22184812-00	22184812-1241	22184812-09	22184812-31		4000K - 4900lm	CRI 93
LED *	white	4.00	22184815-39	22184815-3941	22184815-0928	22184815-3957	56	3000K - 4930lm	CRI 93
			22184815-00	22184815-1241	22184815-09	22184815-31		4000K - 5300lm	CRI 93

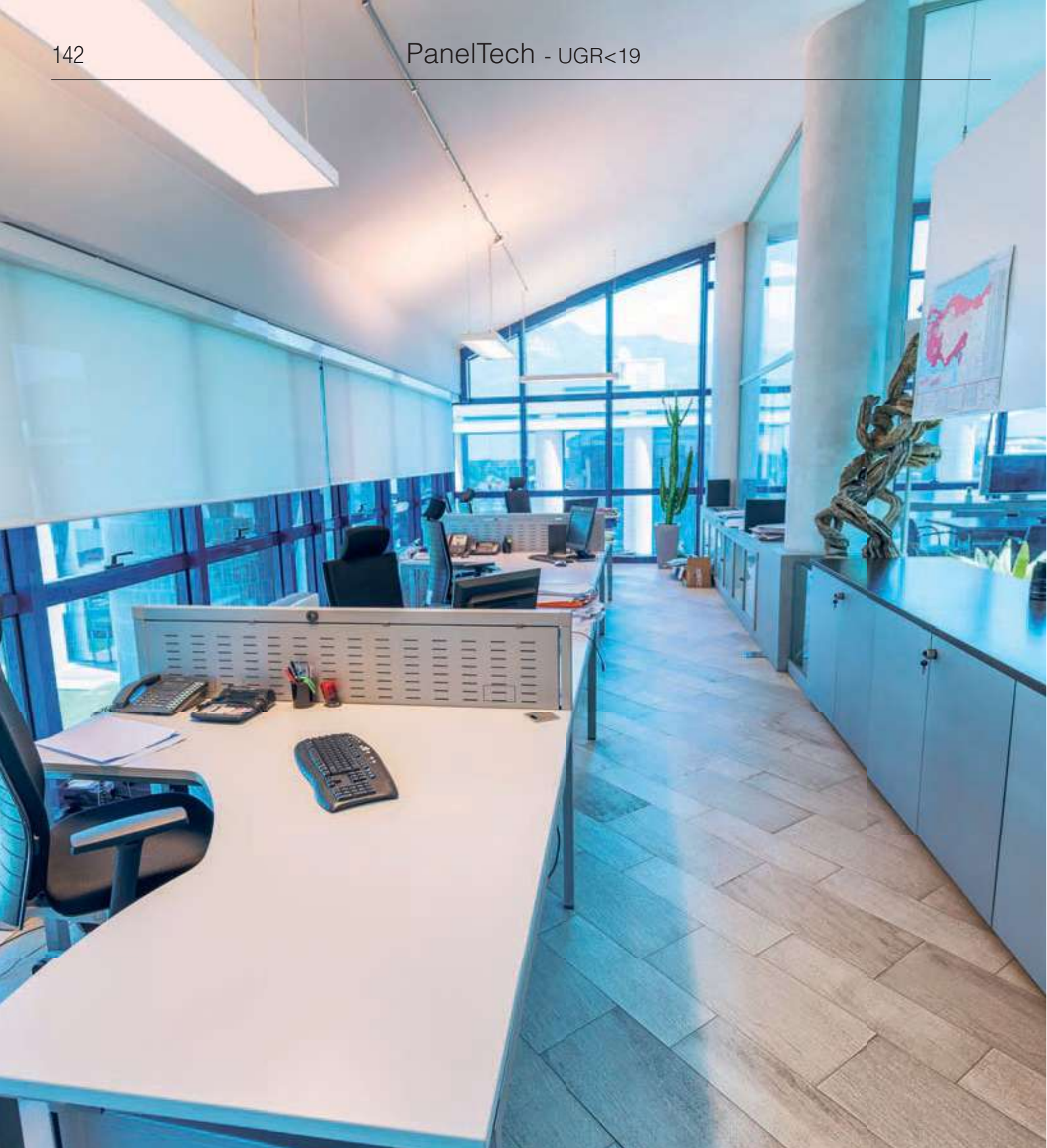
On request: version also available in 610x610 mm size.
* version not UGR<19.



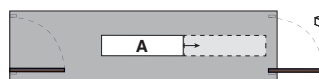
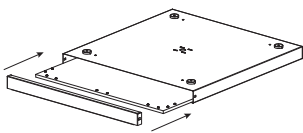
LED	
Power factor	≥0,95
Photobiological safety	Exempt group
LED wattage	46W
Power consumption	51W
LED luminous flux maintenance L80B20	50.000h

PanelTech High Performance R2 - LED									
LED	colour	CLD CELL (ON-OFF)		CLD CELLD-DIG (DALI)	CLD CELL-E (1h)	CLD CELL-E (3h)	W tot	LUMEN OUTPUT (tq= 25 °C)	
		weight	code	code	code	code		K - ølm - CRI	
LED	white	4.00	22185212-39	22185212-3941	22185212-0928	22185212-3957	51	3000K - 4306lm	CRI 93
			22185212-00	22185212-1241	22185212-09	22185212-31		4000K - 4630lm	CRI 93

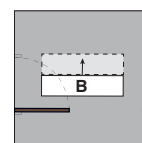
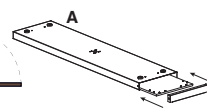




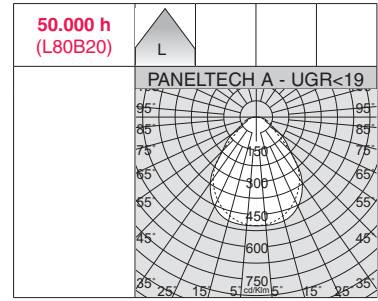
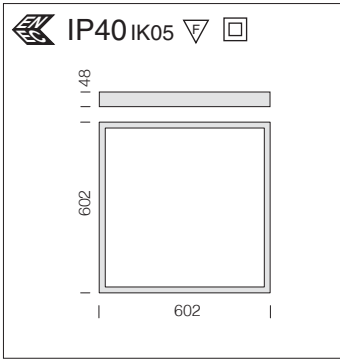
Example of installation with ceiling-mounted frame:



A) as standard supply



B) upon request

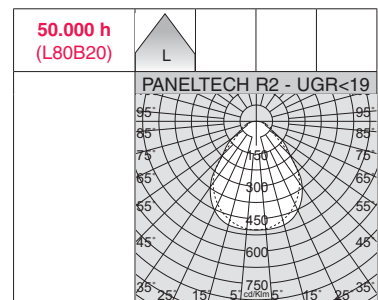
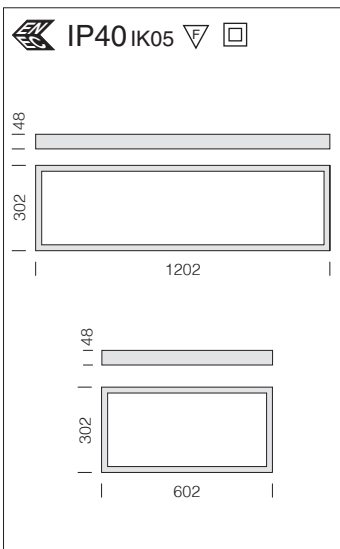


LED	
Power factor	≥0,95
Photobiological safety	Exempt group
LED wattage	31W
Power consumption	34W
LED luminous flux maintenance L80B20	50.000h



PanelTech A - UGR<19 - CEILING

LED	colour	CLD CELL (ON-OFF)					W tot	LUMEN OUTPUT (tq= 25 °C)	
		weight	code	code	code	code		code	K - ølm - CRI
LED	white	5.10	22185511-00	22185511-12	22185511-1241	22185511-09	34	3000K - 3353lm - CRI 80	4000K - 3527lm - CRI 80
			22185510-00	22185510-12	22185510-1241	22185510-09			



LED	
Power factor	≥0,95
Photobiological safety	Exempt group
LED wattage	31W
Power consumption	34W
LED luminous flux maintenance L80B20	50.000h



PanelTech R2 - UGR<19 - CEILING

LED	colour	CLD CELL (ON-OFF)					W tot	LUMEN OUTPUT (tq= 25 °C)	
		weight	code	code	code	code		code	K - ølm - CRI
LED	white	7.70	22185711-00	22185711-12	22185711-1241	22185711-09	34	3000K - 3353lm - CRI 80	4000K - 3470lm - CRI 80
			22185710-00	22185710-12	22185710-1241	22185710-09			

PanelTech R3 - UGR<19 - CEILING

LED	colour	CLD CELL (ON-OFF)				W tot	LUMEN OUTPUT (tq= 25 °C)	
		weight	code	code	code		code	K - ølm - CRI
LED	white	4.50	22185618-00	22185618-1241	22185618-09	20	4000K - 2100lm - CRI 80	3000K - 1953lm - CRI 80
			22185619-00	22185619-1241	22185619-09			



Linear Systems

Liset 2.0



p. 146

Sintesi System



p. 176

Strip - LED



p. 192



Liset 2.0 is a linear and modular lighting system that is easily customisable and capable of offering a series of lighting solutions in any setting, including retailing, artistic and cultural spaces or in entrance lobbies and/or hospitality facilities. Compact, elegant, flexible and small, **Liset 2.0** is simple to install as a recessed, ceiling, suspension or track lamp. It is available in three versions: with dark light lamellar optics with URG<19, or with either white or black polycarbonate comfort optics and polycarbonate opal diffuser. The entire range has latest generation 4000K LED sources with 80 and 90 CRI, making these products easy to fit into any lighting design project.

Housing: made of extruded aluminium.

Heads: in die cast aluminium.

LED: luminous flux maintenance 80%: **50.000h (L80B20)**.

Power factor: $\geq 0,92$.

Photobiological safety class: exempt group.



The right lighting and fixture play a vital role in facilitating sales. This is the reason why LED fixtures with a **CRI>90** are being requested. Therefore, the current trend is geared towards the manufacturing of more flexible fixtures, which also emit an excellent quality of light, while guaranteeing remarkable energy savings and lower maintenance costs.

The Colour Rendering Index (**CRI**) indicates how truthfully the artificial light source is able to reproduce the colours of objects. It varies from a range of **0 to 100**, where **0 represents the minimum and 100 is the maximum**. Daylight is the best source of light from a physiological point of view because it contains the full colour spectrum. Therefore, a lamp with a high colour rendering index is very important to ensure the wellbeing and comfort of the occupants of a room and it is absolutely necessary in rooms where good visibility is required.

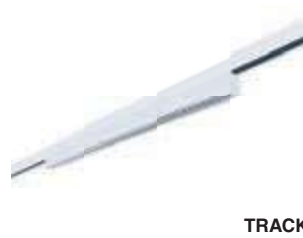
Classification of UGR values by applications		
UGR	≤ 16	Very demanding applications (technical drawings)
	≤ 19	Offices and schools (reading, writing, business meetings, computer work)
	≤ 22	Industrial applications, craftsmen
	> 28	High glare

The UGR (unified glare rating) is an international unified measure developed by the CIE (Commission International de l'Eclairage) to assess the direct glare generated by a lighting system. The European standard regulating the lighting of indoor work places (**UNI-EN 12464-1**) recommends a specific UGR value for different applications ranging between **10 and**

30; the lower the UGR value, the lower the glare. The exact value of this index differs by project type because it depends on the position of the luminaires, room characteristics (dimensions, reflections) and on the point of observation of viewers.

Liset 2.0 is a real multi-purpose lighting system studied to make the best use of the LED technology. Its clean lines and luminous efficiency ensure extraordinary light and colour effects.

Liset 2.0 - **DARK LIGHT** optics version - UGR<19



UGR<19

Liset 2.0 - **COMFORT** optics version - UGR<19



UGR<19

Liset 2.0 - **OPAL DIFFUSER** version



Liset 2.0 - special compositions with **RECESSED** lamp



UGR<19

UGR<19

Liset 2.0 - special compositions with **CEILING** lamp



UGR<19

UGR<19

Liset 2.0 - special compositions with **SUSPENSION** lamp

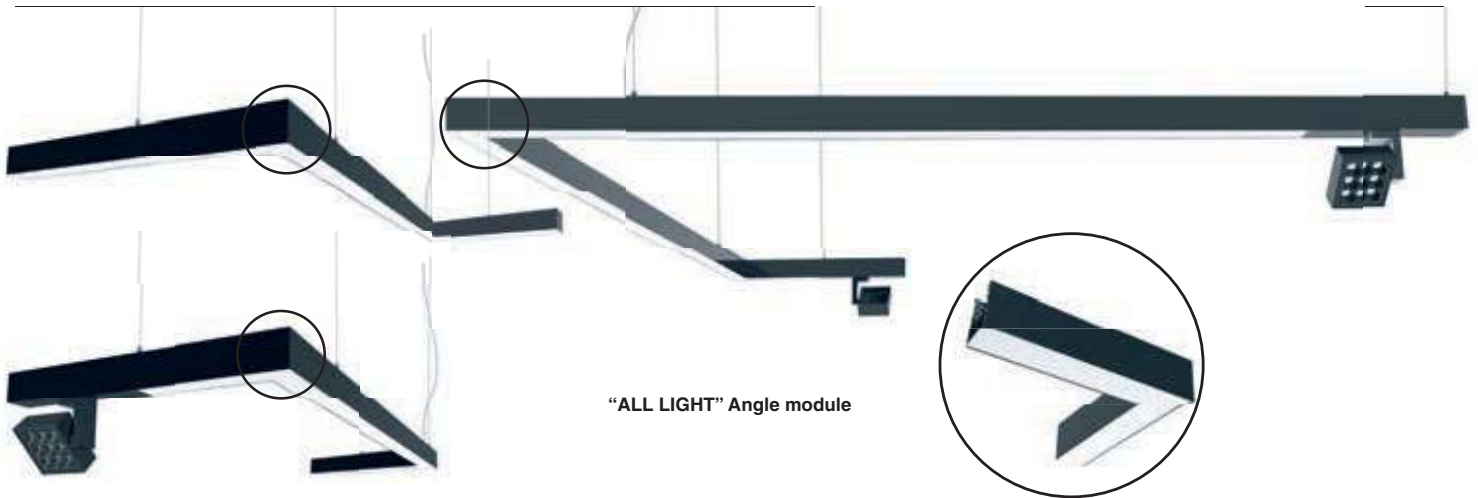


UGR<19

UGR<19

The system's extreme flexibility is guaranteed by the numerous compositions that can be made using the angular module to create **ALL LIGHT** solutions, which can offer uniform lighting of the space and constant visual comfort.

Liset 2.0 - special compositions with **SUSPENSION** fixtures with acc. "ALL LIGHT" angle module



"ALL LIGHT" Angle module

Liset 2.0 - KIT

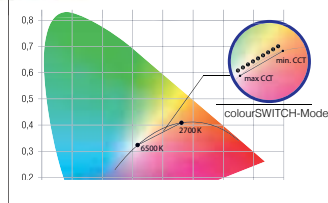
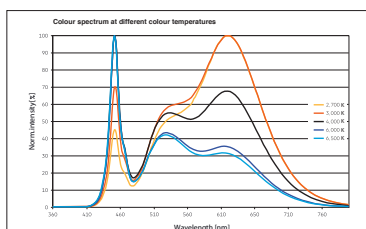


Other size on request

On request:

tunable White system for downlights with adjustable colour temperature from 2,700 to 6,500 K at constant luminous flux. Ideal for retail, public spaces (hotels and restaurants), corridors, stairs, applications. **Functions:**

- Constant light output function (CLO)
- switchDIM and colourSWITCH with memory function;
- colourSWITCH with 9 predefined colours;
- Configurable via DALI;



Colour temperatures are controlled precisely and with irrefutable variability, while the drivers reliably maintain the selected range across all dimming levels. The **colourSWITCH function** makes it possible to select the colour temperature, while the light can be dimmed with the **switchDIM function**.

ColourSWITCH function

A conventional pushbutton can be used to control the system via colourSWITCH. Use of pushbutton with indicator lamp is not permitted. If the device is controlled via DALI/DSI, colourSWITCH is not available. For control via a pushbutton different settings can be made:

- Short press: setting the colour temperature

via colourSWITCH mode with 9 values between 2,700 and 6,500 K.

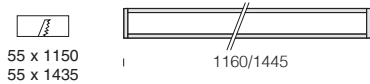
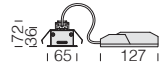
- Long press (> 1 s): stepless setting of colour temperature. After completion the colour temperature direction will be inverted.
 - These values can be changed via masterCONFIGURATOR.
 - Alternatively the colour temperature could be changed via DALI device type 8 control system.
- In installations with LED Drivers with different colour temperature or opposite colour temperature directions (e.g. after a system extension), all LED Drivers can be synchronized to 4,500 K by a 10 s push.

SwitchDIM function

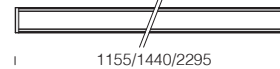
Integrated switchDIM function allows a direct connection of a pushbutton for dimming and switching. Brief push (< 0.6 s) switches LED Driver ON and OFF. The dim level is saved at power-down and restored at power-up. When the pushbutton is held, LED modules are dimmed. After releasing and pushing the LED modules are dimmed in the opposite direction.

In installations with LED Drivers with different dimming levels or opposite dimming directions (e.g. after a system extension), all LED Drivers can be synchronized to 50 % dimming level by a 10 s push. Use of pushbutton with indicator lamp is not permitted.

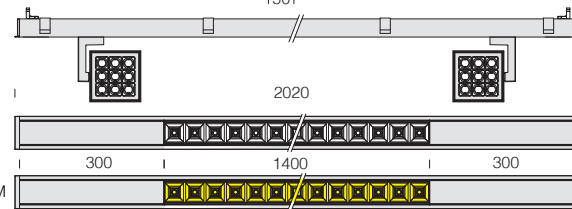
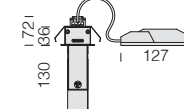
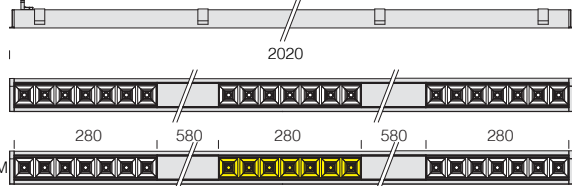
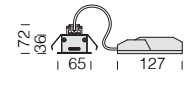
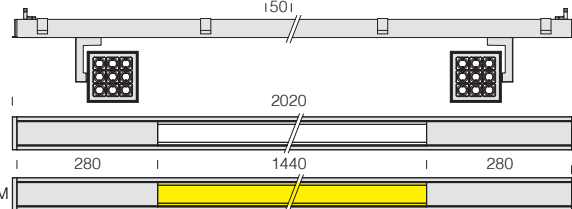
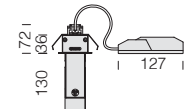
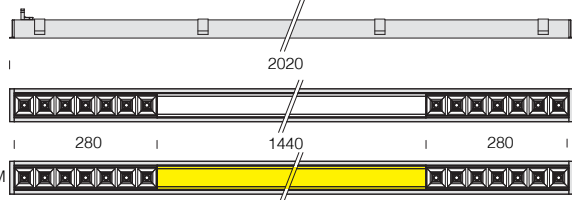
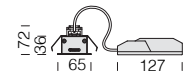
Application with **RECESSED** lamp



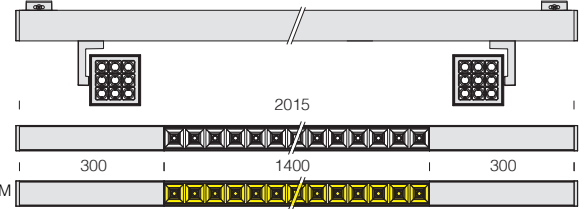
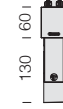
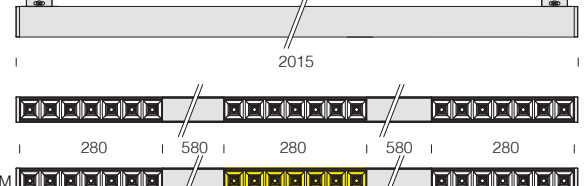
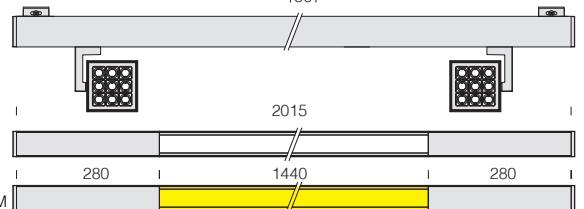
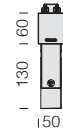
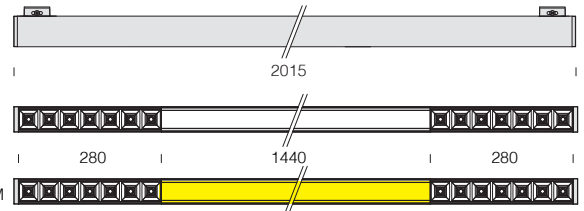
Application with **CEILING** lamp



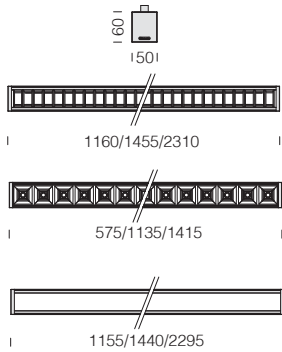
Special compositions with **RECESSED** lamp



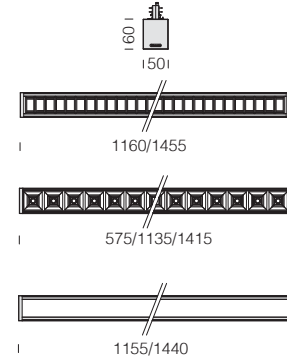
Special compositions with **CEILING** lamp



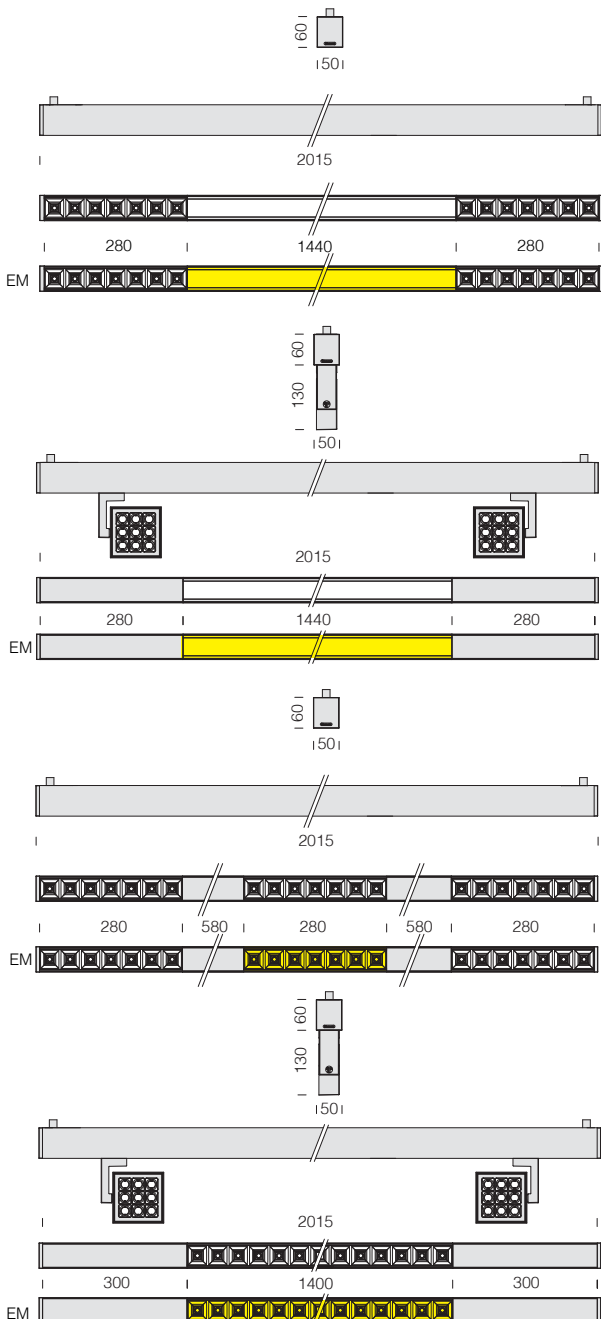
Application with **SUSPENSION** lamp



Application with **TRACK** lamp

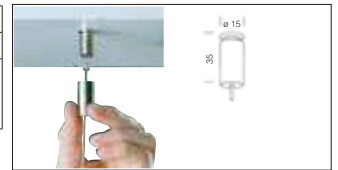


Special compositions with **SUSPENSION** lamp

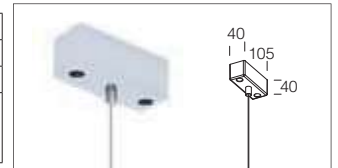


ACCESSORIES

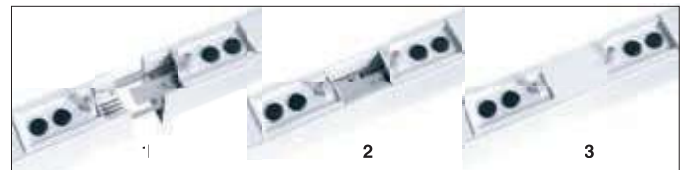
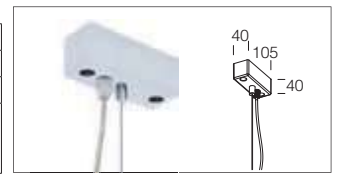
Suspension	
galvanised	22003166-00
Supplied with steel wire (L=1,75m) and millimetre adjustment device. Max load: 20 kg.	



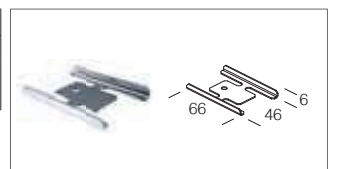
Suspension with wire	
black	22003138-00
white	22003118-00
Complete with steel wire (L = 100cm) and millimetre adjustment device. Max load: 20 kg.	



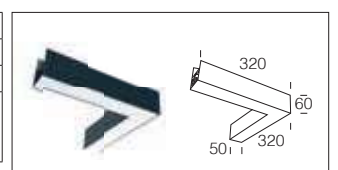
Powered suspension with wire	
black	22003130-00
white	22003190-00
Supplied with steel wire (L = 100cm) and millimetre adjustment device and power cord. Max loading: 20Kg.	

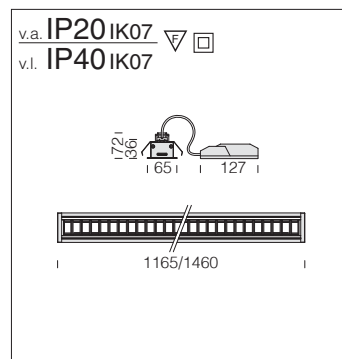
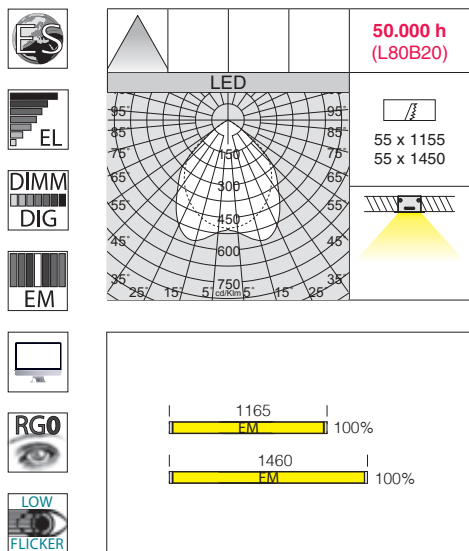


Connecting bracket	
22025877-00	
It permits mechanical connection of the profiles.	



"ALL LIGHT" Angle module		
black	22302630-00	14W
white	22302610-00	14W
It permits angle connection of Liset 2.0. On request: DIMM-DALI (-1241). Kg= 1,1.		

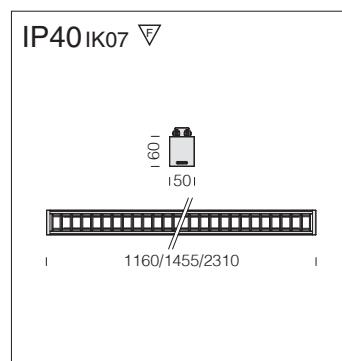
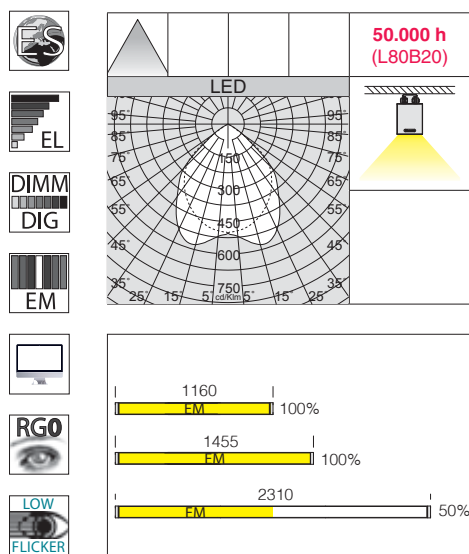




Dark light louvre: double parabolic louvres, in high-gloss 99.99 aluminium, anti-glare and anti-iridescence, very low luminance with PVD treatment.

Liset 2.0 - recessed - Dark light - UGR<19									
		CLD CELL (ON-OFF)			CLD CELLD-DIG (DALI)	CLD CELL-E (1h)	CLD CELL-E (3h)	LUMEN OUTPUT (tq= 25 °C)	
LED	colour	L (mm)	weight	code	code	code	code	W tot	K - olm - CRI
LED 4 modules	white	1165	1,60	22302001-00	22302001-1241	22302001-09	22302001-31	28	4000K - 2599lm - CRI 80
LED 5 modules	white	1460	2,00	22302002-00	22302002-1241	22302002-09	22302002-31	35	4000K - 3249lm - CRI 80

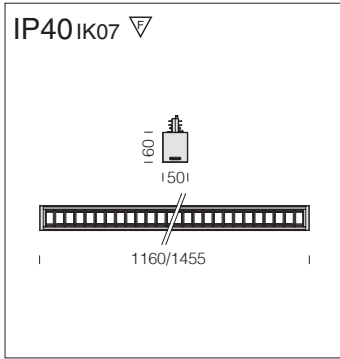
On request: PUSH-DIMM version with sub-code **-1245**.



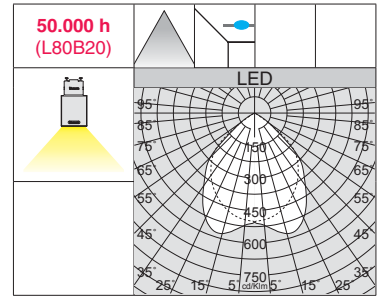
Dark light louvre: double parabolic louvres, in high-gloss 99.99 aluminium, anti-glare and anti-iridescence, very low luminance with PVD treatment.

Liset 2.0 - ceiling - Dark light - UGR<19									
		CLD CELL (ON-OFF)			CLD CELLD-DIG (DALI)	CLD CELL-E (1h)	CLD CELL-E (3h)	LUMEN OUTPUT (tq= 25 °C)	
LED	colour	L (mm)	weight	code	code	code	code	W tot	K - olm - CRI
LED 4 modules	white	1160	2,40	22302003-00	22302003-1241	22302003-09	22302003-31	28	4000K - 2599lm - CRI 80
	black			22302033-00	22302033-1241	22302033-09	22302033-31		
LED 5 modules	white	1455	3,00	22302004-00	22302004-1241	22302004-09	22302004-31	35	4000K - 3249lm - CRI 80
	black			22302034-00	22302034-1241	22302034-09	22302034-31		
LED 8 modules	white	2310	4,80	22302005-00	22302005-1241	22302005-09	22302005-31	55	4000K - 5198lm - CRI 80
	black			22302035-00	22302035-1241	22302035-09	22302035-31		

On request: pass-through wiring for continuous line mounting with subcode **-0072**. PUSH-DIMM version with sub-code **-1245**.

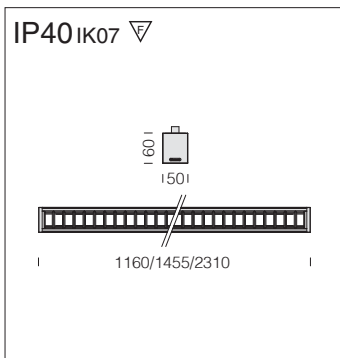


Dark light louvre: double parabolic louvres, in high-gloss 99.99 aluminium, anti-glare and anti-iridescence, very low luminance with PVD treatment.

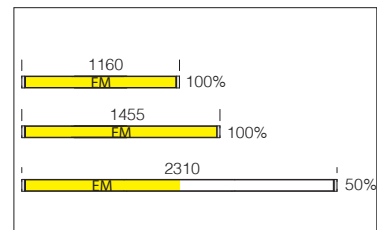
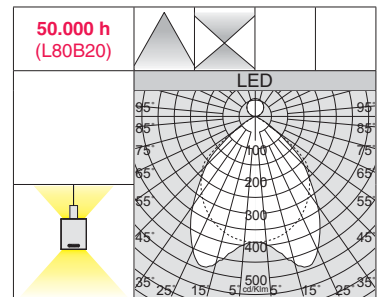


Liset 2.0 - track - Dark light - UGR<19							
LED		CLD CELL (ON-OFF)			W tot	LUMEN OUTPUT (tq= 25 °C)	
colour	L (mm)	weight	code			K - ølm - CRI	
LED 4 modules	white	1160	2,40	22302006-00		28	4000K - 2599lm - CRI 80
	black			22302036-00			
LED 5 modules	white	1455	3,00	22302007-00		35	4000K - 3249lm - CRI 80
	black			22302037-00			

On request: DIMM- DALI version with sub-code **-1241**. PUSH-DIMM version with sub-code **-1245**.



Dark light louvre: double parabolic louvres, in high-gloss 99.99 aluminium, anti-glare and anti-iridescence, very low luminance with PVD treatment.

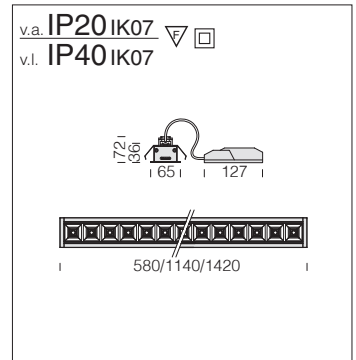
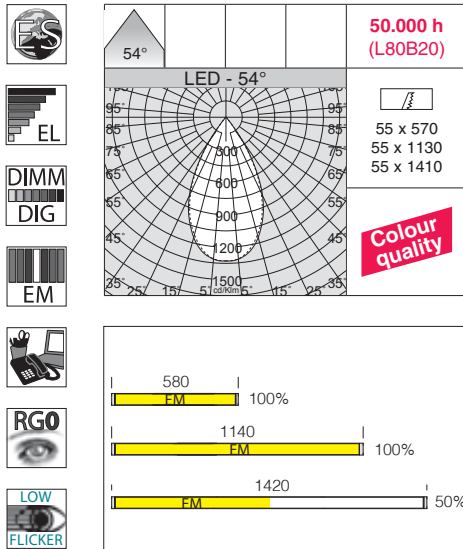


Liset 2.0 - suspension - direct - Dark light - UGR<19									
LED		CLD CELL (ON-OFF)		CLD CELLD-DIG (DALI)	CLD CELL-E (1h)	CLD CELL-E (3h)	W tot	LUMEN OUTPUT (tq= 25 °C)	
colour	L (mm)	weight	code	code	code	code		K - ølm - CRI	
LED 4 modules	white	1160	2,40	22302008-00	22302008-1241	22302008-09	22302008-31	28	4000K - 2599lm - CRI 80
	black			22302038-00	22302038-1241	22302038-09	22302038-31		
LED 5 modules	white	1455	3,00	22302009-00	22302009-1241	22302009-09	22302009-31	35	4000K - 3249lm - CRI 80
	black			22302039-00	22302039-1241	22302039-09	22302039-31		
LED 8 modules	white	2310	4,80	22302010-00	22302010-1241	22302010-09	22302010-31	55	4000K - 5198lm - CRI 80
	black			22302030-00	22302030-1241	22302030-09	22302030-31		

On request: pass-through wiring for continuous line mounting with subcode **-0072**. PUSH-DIMM version with sub-code **-1245**.

Liset 2.0 - suspension - direct/indirect light - Dark light - UGR<19								
LED		CLD CELL (ON-OFF)			CLD CELLD-DIG (DALI) *	W tot	LUMEN OUTPUT (tq= 25 °C)	
colour	L (mm)	weight	code		code		K - ølm - CRI	
LED 5 modules	white	1455	3,20	22302011-00		22302011-1241	42	4000K - 3865lm - CRI 80
	black			22302031-00		22302031-1241		
LED 8 modules	white	2310	4,90	22302012-00		22302012-1241	72	4000K - 6800lm - CRI 80
	black			22302032-00		22302032-1241		

On request: pass-through wiring for continuous line mounting with subcode **-0072**. PUSH-DIMM version with sub-code **-1245**. * = only direct light.

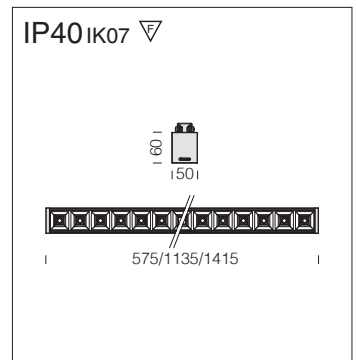
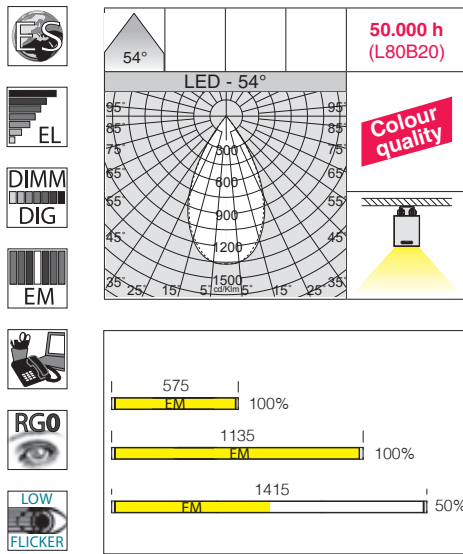


Comfort optics: in white anti-glare polycarbonate for improved visual comfort.

Liset 2.0 - recessed - comfort optics - UGR<19

LED	colour	CLD CELL (ON-OFF)				CLD CELLD-DIG (DALI)		CLD CELL-E (1h)		CLD CELL-E (3h)		W tot	LUMEN OUTPUT (tq= 25 °C) K - ølm - CRI - degrees
		L (mm)	weight	code	code	code	code	code	code				
LED 14 lenses	white	580	1,10	22302101-00	22302101-1241	22302101-09	22302101-31	22	4000K - 2748lm - CRI 90 - 54°				
LED 28 lenses	white	1140	2,20	22302102-00	22302102-1241	22302102-09	22302102-31	44	4000K - 5495lm - CRI 90 - 54°				
LED 35 lenses	white	1420	2,80	22302103-00	22302103-1241	22302103-09	22302103-31	55	4000K - 6869lm - CRI 90 - 54°				

On request: available 3000K version with sub-code -39. PUSH-DIMM version with sub-code -1245.

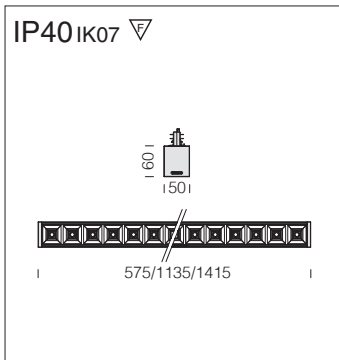


Comfort optics: in black anti-glare polycarbonate for improved visual comfort (the white colour version is available upon request).

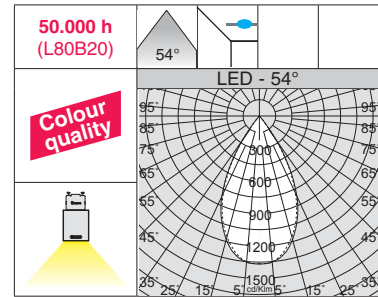
Liset 2.0 - ceiling - comfort optics - UGR<19

LED	colour	CLD CELL (ON-OFF)			CLD CELLD-DIG (DALI)		CLD CELL-E (1h)		CLD CELL-E (3h)		W tot	LUMEN OUTPUT (tq= 25 °C) K - ølm - CRI - degrees
		L (mm)	weight	code	code	code	code	code	code			
LED 14 lenses	white	575	1,60	22302104-00	22302104-1241	22302104-09	22302104-31	22	4000K - 2637lm - CRI 90 - 54°			
	black			22302134-00	22302134-1241	22302134-09	22302134-31					
LED 14 lenses	white	575	1,60	22302104-39	22302104-3941	22302104-0928	22302104-3957	22	3000K - 2452lm - CRI 90 - 54°			
	black			22302134-39	22302134-3941	22302134-0928	22302134-3957					
LED 28 lenses	white	1135	3,20	22302105-00	22302105-1241	22302105-09	22302105-31	44	4000K - 5274lm - CRI 90 - 54°			
	black			22302135-00	22302135-1241	22302135-09	22302135-31					
LED 28 lenses	white	1135	3,20	22302105-39	22302105-3941	22302105-0928	22302105-3957	44	3000K - 4905lm - CRI 90 - 54°			
	black			22302135-39	22302135-3941	22302135-0928	22302135-3957					
LED 35 lenses	white	1415	4,00	22302106-00	22302106-1241	22302106-09	22302106-31	55	4000K - 6593lm - CRI 90 - 54°			
	black			22302136-00	22302136-1241	22302136-09	22302136-31					
LED 35 lenses	white	1415	4,00	22302106-39	22302106-3941	22302106-0928	22302106-3957	55	3000K - 6131lm - CRI 90 - 54°			
	black			22302136-39	22302136-3941	22302136-0928	22302136-3957					

On request: pass-through wiring for continuous line mounting with subcode -0072. PUSH-DIMM version with sub-code -1245.

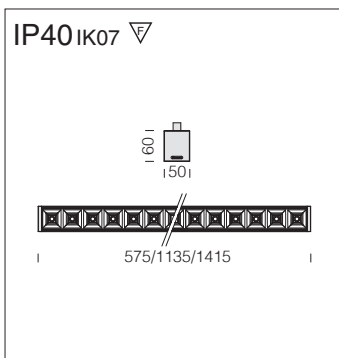


Comfort optics: in black anti-glare polycarbonate for improved visual comfort (the white colour version is available upon request).

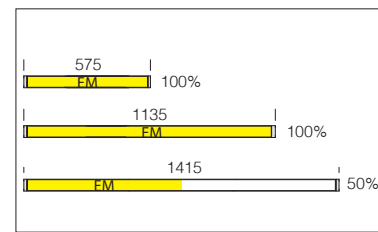
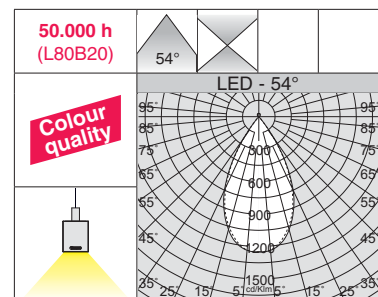


Liset 2.0 - track - comfort optics - UGR<19						
LED	colour	CLD CELL (ON-OFF)			W tot	LUMEN OUTPUT (tq= 25 °C)
		L (mm)	weight	code		K - ølm - CRI - degrees
LED 14 lenses	white	575	1,60	22302107-00	22	4000K - 2637lm - CRI 90 - 54°
	black			22302137-00		
LED 14 lenses	white	575	1,60	22302107-39	22	3000K - 2452lm - CRI 90 - 54°
	black			22302137-39		
LED 28 lenses	white	1135	3,20	22302108-00	44	4000K - 5274lm - CRI 90 - 54°
	black			22302138-00		
LED 28 lenses	white	1135	3,20	22302108-39	44	3000K - 4905lm - CRI 90 - 54°
	black			22302138-39		
LED 35 lenses	white	1415	4,00	22302109-00	55	4000K - 6593lm - CRI 90 - 54°
	black			22302139-00		
LED 35 lenses	white	1415	4,00	22302109-39	55	3000K - 6131lm - CRI 90 - 54°
	black			22302139-39		

On request: DIMM- DALI version with sub-code -1241 or -3941. PUSH-DIMM version with sub-code -1245 or 3945.



Comfort optics: in black anti-glare polycarbonate for improved visual comfort (the white colour version is available upon request).








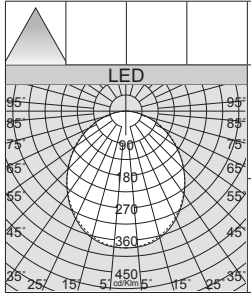


Liset 2.0 - suspension - direct - comfort optics - UGR<19									
LED	colour	CLD CELL (ON-OFF)		CLD CELLD-DIG (DALI)	CLD CELL-E (1h)	CLD CELL-E (3h)	W tot	LUMEN OUTPUT (tq= 25 °C)	
		L (mm)	weight	code	code	code		code	K - ølm - CRI - degrees
LED 14 lenses	white	575	1,60	22302110-00	22302110-1241	22302110-09	22302110-31	22	4000K - 2637lm - CRI 90 - 54°
	black			22302130-00	22302130-1241	22302130-09	22302130-31		
LED 28 lenses	white	1135	3,20	22302111-00	22302111-1241	22302111-09	22302111-31	44	4000K - 5274lm - CRI 90 - 54°
	black			22302131-00	22302131-1241	22302131-09	22302131-31		
LED 35 lenses	white	1415	4,00	22302112-00	22302112-1241	22302112-09	22302112-31	55	4000K - 6593lm - CRI 90 - 54°
	black			22302132-00	22302132-1241	22302132-09	22302132-31		

On request: available 3000K version with sub-code -39. Pass-through wiring for continuous line mounting with subcode -0072. PUSH-DIMM version with sub-code -1245.



Liset 2.0 - suspension - direct/indirect light - comfort optics - UGR<19							
LED	colour	CLD CELL (ON-OFF)		CLD CELLD-DIG (DALI) *	W tot	LUMEN OUTPUT (tq= 25 °C)	
		L (mm)	weight	code		code	K - ølm - CRI
LED 35 lenses	white	1415	4,20	22302113-00	22302113-1241	62	4000K - 7209lm - CRI 90
	black			22302133-00	22302133-1241		

On request: available 3000K version with sub-code -39. Pass-through wiring for continuous line mounting with subcode -0072. PUSH-DIMM version with sub-code -1245. *= only direct ligh.

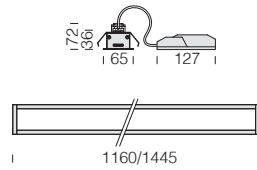









50.000 h (L80B20)

55 x 1150
55 x 1435








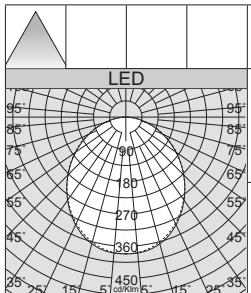

v.a. IP20 IK07
v.l. IP40 IK07






Diffuser: inl polycarbonate.

Liset 2.0 - recessed - with polycarbonate diffuser									
LED	colour	CLD CELL (ON-OFF)			CLD CELLD-DIG (DALI)	CLD CELL-E (1h)	CLD CELL-E (3h)	W tot	LUMEN OUTPUT (tq= 25 °C)
		L (mm)	weight	code	code	code	code		K - ølm - CRI
LED 4 modules	white	1160	1,50	22302201-00	22302201-1241	22302201-09	22302201-31	28	4000K - 2530lm - CRI 80
				22302201-39	22302201-3941	22302201-0928	22302201-3957		3000K - 2353lm - CRI 80
LED 5 modules	white	1445	1,90	22302202-00	22302202-1241	22302202-09	22302202-31	35	4000K - 3163lm - CRI 80
				22302202-39	22302202-3941	22302202-0928	22302202-3957		3000K - 2942lm - CRI 80

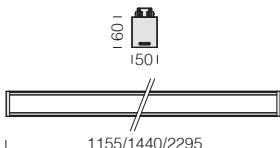
On request: PUSH-DIMM version with sub-code -1245.

50.000 h (L80B20)

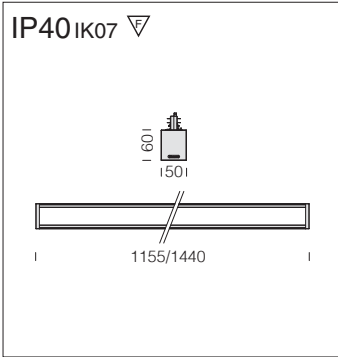

IP40 IK07



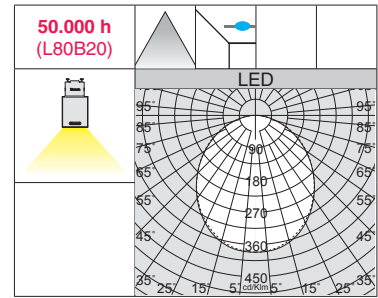
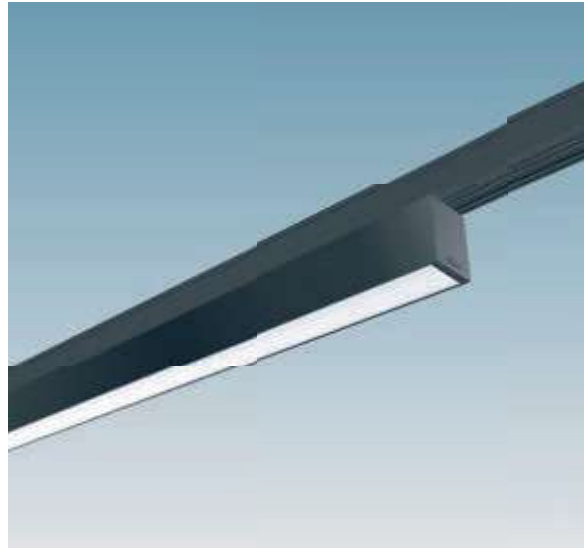
Diffuser: inl polycarbonate.

Liset 2.0 - ceiling - with polycarbonate diffuser									
LED	colour	CLD CELL (ON-OFF)			CLD CELLD-DIG (DALI)	CLD CELL-E (1h)	CLD CELL-E (3h)	W tot	LUMEN OUTPUT (tq= 25 °C)
		L (mm)	weight	code	code	code	code		K - ølm - CRI
LED 4 modules	white	1155	2,30	22302203-00	22302203-1241	22302203-09	22302203-31	28	4000K - 2530lm - CRI 80
	black			22302233-00	22302233-1241	22302233-09	22302233-31		3000K - 2353lm - CRI 80
LED 4 modules	white	1155	2,30	22302203-39	22302203-3941	22302203-0928	22302203-3957	28	4000K - 2530lm - CRI 80
	black			22302233-39	22302233-3941	22302233-0928	22302233-3957		3000K - 2353lm - CRI 80
LED 5 modules	white	1440	2,90	22302204-00	22302204-1241	22302204-09	22302204-31	35	4000K - 3163lm - CRI 80
	black			22302234-00	22302234-1241	22302234-09	22302234-31		3000K - 2942lm - CRI 80
LED 5 modules	white	1440	2,90	22302204-39	22302204-3941	22302204-0928	22302204-3957	35	4000K - 3163lm - CRI 80
	black			22302234-39	22302234-3941	22302234-0928	22302234-3957		3000K - 2942lm - CRI 80
LED 8 modules	white	2295	4,50	22302205-00	22302205-1241	22302205-09	22302205-31	55	4000K - 5060lm - CRI 80
	black			22302235-00	22302235-1241	22302235-09	22302235-31		3000K - 4706lm - CRI 80
LED 8 modules	white	2295	4,50	22302205-39	22302205-3941	22302205-0928	22302205-3957	55	4000K - 5060lm - CRI 80
	black			22302235-39	22302235-3941	22302235-0928	22302235-3957		3000K - 4706lm - CRI 80

On request: pass-through wiring for continuous line mounting with subcode -0072. PUSH-DIMM version with sub-code -1245.

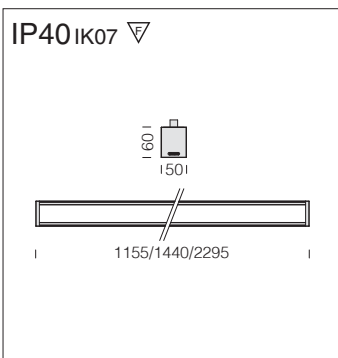


Diffuser: inl polycarbonate.

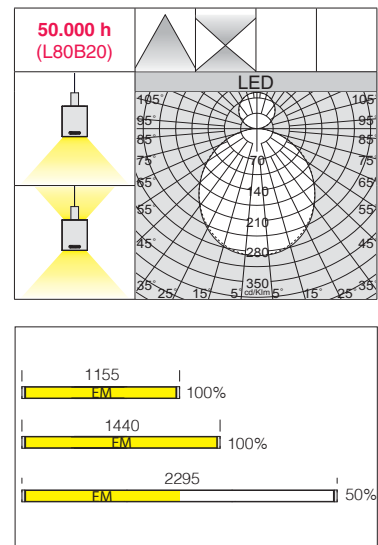


Liset 2.0 - track - with polycarbonate diffuser						
LED	colour	CLD CELL (ON-OFF)			LUMEN OUTPUT (tq= 25 °C)	
		L (mm)	weight	code	code	K - ølm - CRI
LED 4 modules	white	1155	2,30	22302206-00	28	4000K - 2530lm - CRI 80
	black			22302236-00		
LED 4 modules	white	1155	2,30	22302206-39	28	3000K - 2353lm - CRI 80
	black			22302236-39		
LED 5 modules	white	1440	2,90	22302207-00	35	4000K - 3163lm - CRI 80
	black			22302237-00		
LED 5 modules	white	1440	2,90	22302207-39	35	3000K - 2942lm - CRI 80
	black			22302237-39		

On request: DIMM- DALI version with sub-code **-1241** or **-3941**. PUSH-DIMM version with sub-code **-1245** or **-3945**.



Diffuser: inl polycarbonate.

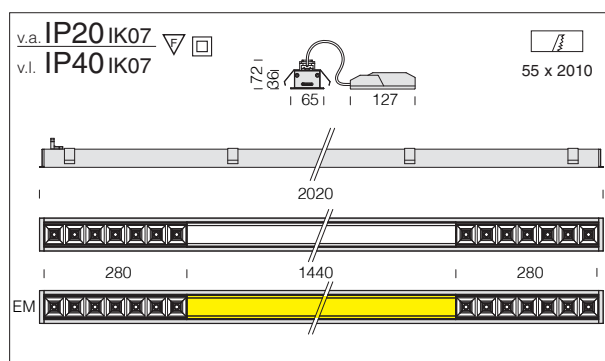


Liset 2.0 - suspension - direct - with polycarbonate diffuser										
LED	colour	CLD CELL (ON-OFF)			CLD CELLD-DIG (DALI)	CLD CELL-E (1h)	CLD CELL-E (3h)	W tot	LUMEN OUTPUT (tq= 25 °C)	
		L (mm)	weight	code	code	code	code		K - ølm - CRI	
LED 4 modules	white	1155	2,30	22302208-00	22302208-1241	22302208-09	22302208-31	28	4000K - 2530lm - CRI 80	
	black			22302238-00	22302238-1241	22302238-09	22302238-31			
LED 5 modules	white	1440	2,90	22302209-00	22302209-1241	22302209-09	22302209-31	35	4000K - 3163lm - CRI 80	
	black			22302239-00	22302239-1241	22302239-09	22302239-31			
LED 8 modules	white	2295	4,50	22302210-00	22302210-1241	22302210-09	22302210-31	55	4000K - 5060lm - CRI 80	
	black			22302230-00	22302230-1241	22302230-09	22302230-31			

On request: available 3000K version with sub-code **-39**. Pass-through wiring for continuous line mounting with subcode **-0072**. PUSH-DIMM version with sub-code **-1245**.

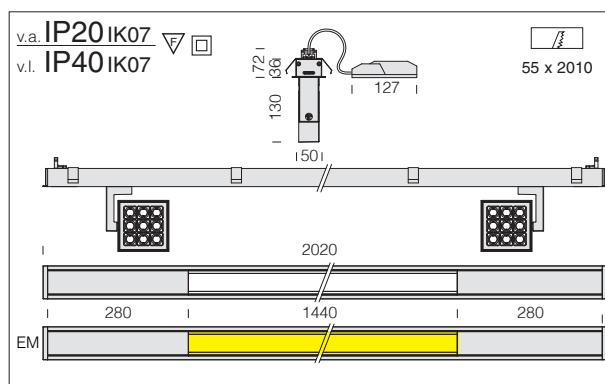
Liset 2.0 - suspension - direct/indirect light - with polycarbonate diffuser								
LED	colour	CLD CELL (ON-OFF)			CLD CELLD-DIG (DALI) *	W tot	LUMEN OUTPUT (tq= 25 °C)	
		L (mm)	weight	code	code		K - ølm - CRI	
LED 5 modules	white	1440	3,10	22302211-00	22302211-1241	42	4000K - 3779lm - CRI 80	
	black			22302231-00	22302231-1241			
LED 8 modules	white	2295	4,70	22302212-00	22302212-1241	72	4000K - 6662lm - CRI 80	
	black			22302232-00	22302232-1241			

On request: available 3000K version with sub-code **-39**. Pass-through wiring for continuous line mounting with subcode **-0072**. PUSH-DIMM version with sub-code **-1245**.
 *= only direct ligh.



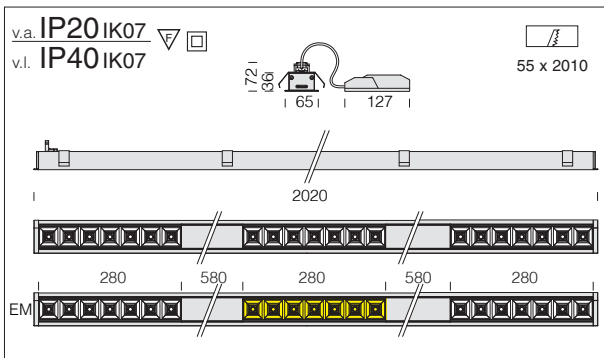
Liset 2.0 - A+2M - recessed									
LED	colour	CLD CELL (ON-OFF)		CLD CELLD-DIG (DALI)	CLD CELL-E (1h)	CLD CELL-E (3h)	W tot	LUMEN OUTPUT (tq= 25 °C)	
		L (mm)	weight	code	code	code		code	K - ølm - CRI - degrees
LED	white	2020	3,00	22302301-00	22302301-1241	22302301-09	22302301-31	57	4000K - 3163lm - CRI 80 4000K - 2x1374lm - CRI 90 - 54°

Composition: Liset 2.0 with diffuser + 2 modules with 54° comfort optics (upon request with 78° beam angle). Standard version includes double switching.
On request: available 3000K version with sub-code -39. PUSH-DIMM version with sub-code -1245 or -3945.



Liset 2.0 - A+2S - recessed									
LED	colour	CLD CELL (ON-OFF)		CLD CELLD-DIG (DALI)	CLD CELL-E (1h)	CLD CELL-E (3h)	W tot	LUMEN OUTPUT (tq= 25 °C)	
		L (mm)	weight	code	code	code		code	K - ølm - CRI - degrees
LED	white	2020	3,80	22302302-00	22302302-1241	22302302-09	22302302-31	101	4000K - 3163lm - CRI 80 4000K - 2x2415lm - CRI 90 - 38°

Composition: Liset 2.0 with diffuser + 2 modules with 38° spotlight (upon request with 32° or 50° beam angles). Standard version includes double switching.
On request: available 3000K version with sub-code -39. PUSH-DIMM version with sub-code -1245 or -3945.



UGR<19

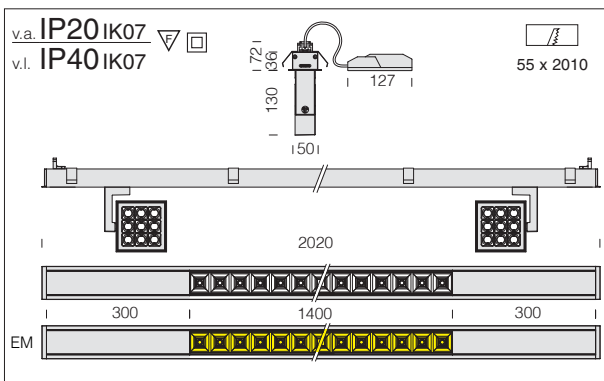


Liset 2.0 - A+H+3M - recessed - UGR<19

		CLD CELL (ON-OFF)			CLD CELLD-DIG (DALI)	CLD CELL-E (1h)	CLD CELL-E (3h)	LUMEN OUTPUT (tq= 25 °C)	
LED	colour	L (mm)	weight	code	code	code	code	W tot	K - ølm - CRI - degrees
LED	white	2020	3,00	22302303-00	22302303-1241	22302303-09	22302303-31	33	4000K - 3x1374lm - CRI 90 - 54°

Composition: 3 modules with 54° comfort optics (upon request with 78° beam angle).

On request: available 3000K version with sub-code -39. PUSH-DIMM version with sub-code -1245 or -3945. With RADAR SENSOR: sub-code -19.



UGR<19

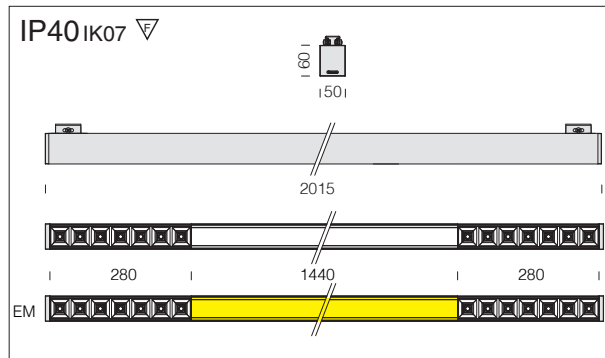


Liset 2.0 - A+M+2S - recessed - UGR<19

		CLD CELL (ON-OFF)			CLD CELLD-DIG (DALI)	CLD CELL-E (1h)	CLD CELL-E (3h)	LUMEN OUTPUT (tq= 25 °C)	
LED	colour	L (mm)	weight	code	code	code	code	W tot	K - ølm - CRI - degrees
LED	white	2020	4,80	22302304-00	22302304-1241	22302304-09	22302304-31	121	4000K - 6869lm - CRI 90 - 54° 4000K - 2x24156lm - CRI 90 - 38°

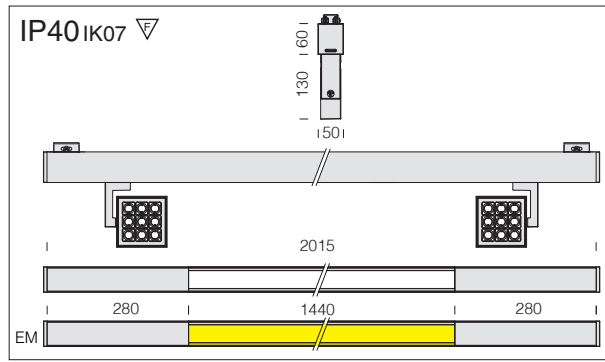
Composition: Liset 2.0 with 54° comfort optics + 2 modules with 38° spotlight (upon request with 78° comfort optics + 32° or 50° spotlights).

Standard version includes double switching. **On request:** available 3000K version with sub-code -39. PUSH-DIMM version with sub-code -1245 or -3945.



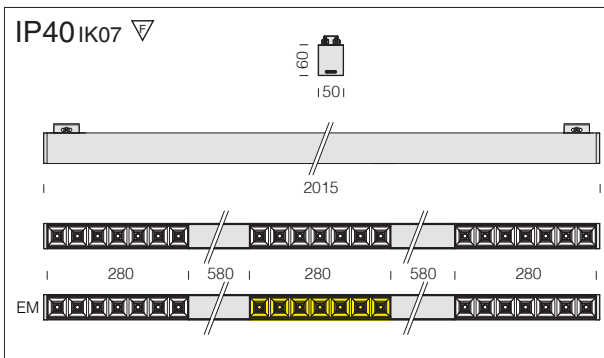
Liset 2.0 - B+2M - ceiling										
LED	colour	CLD CELL (ON-OFF)			CLD CELLD-DIG (DALI)	CLD CELL-E (1h)	CLD CELL-E (3h)	W tot	LUMEN OUTPUT (tq= 25 °C)	
		L (mm)	weight	code	code	code	code		K - ølm - CRI - degrees	
LED	white	2015	4,50	22302410-00	22302410-1241	22302410-09	22302410-31	57	4000K - 3163lm - CRI 80 4000K - 2x1319lm - CRI 90 - 54°	
LED	black	2015	4,50	22302430-00	22302430-1241	22302430-09	22302430-31	57	4000K - 3581lm - CRI 80 4000K - 2x1319lm - CRI 90 - 54°	

Composition: Liset 2.0 with diffuser + 2 comfort modules with 54° optics (upon request with 78° beam angle). Standard version includes double switching.
On request: available 3000K version with sub-code -39. PUSH-DIMM version with sub-code -1245 or -3945.



Liset 2.0 - B+2S - ceiling										
LED	colour	CLD CELL (ON-OFF)			CLD CELLD-DIG (DALI)	CLD CELL-E (1h)	CLD CELL-E (3h)	W tot	LUMEN OUTPUT (tq= 25 °C)	
		L (mm)	weight	code	code	code	code		K - ølm - CRI - degrees	
LED	white	2015	5,50	22302411-00	22302411-1241	22302411-09	22302411-31	101	4000K - 3163lm - CRI 80 4000K - 2x2415lm - CRI 90 - 38°	
LED	black	2015	5,50	22302431-00	22302431-1241	22302431-09	22302431-31	101	4000K - 3163lm - CRI 80 4000K - 2x2415lm - CRI 90 - 38°	

Composition: Liset 2.0 with diffuser + 2 modules with 38° spotlight (upon request with 32° or 50° beam angles). Standard version includes double switching.
On request: available 3000K version with sub-code -39. PUSH-DIMM version with sub-code -1245 or -3945.

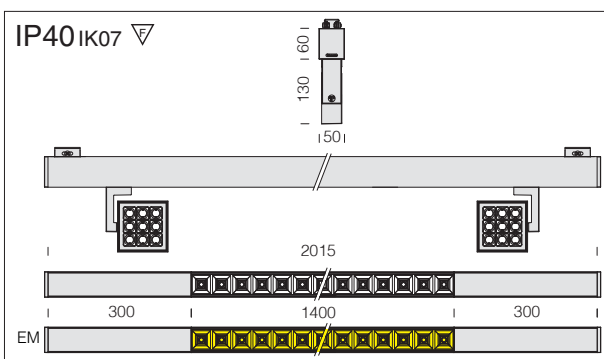


UGR<19



Liset 2.0 - B+H+3M - ceiling - UGR<19										
LED		CLD CELL (ON-OFF)			CLD CELLD-DIG (DALI)	CLD CELL-E (1h)	CLD CELL-E (3h)	W tot	LUMEN OUTPUT (tq= 25 °C)	
colour	L (mm)	weight	code	code	code	code	K - olm - CRI - degrees			
white	2015	4,60	22302412-00	22302412-1241	22302412-09	22302412-31	33	4000K - 3x1319lm - CRI 90 - 54°		
black			22302432-00	22302432-1241	22302432-09	22302432-31				

Composition: 3 modules with 54° comfort optics (upon request with 78° beam angle).
On request: available 3000K version with sub-code -39. PUSH-DIMM version with sub-code -1245 or -3945. With RADAR SENSOR: sub-code -19.

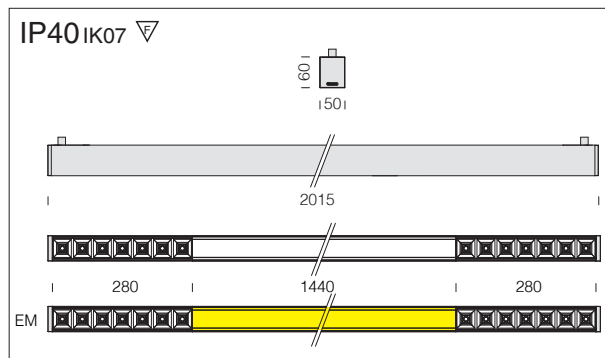


UGR<19



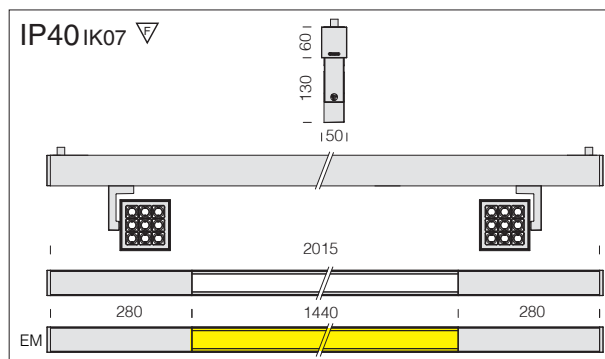
Liset 2.0 - B+M+2S - ceiling - UGR<19										
LED		CLD CELL (ON-OFF)			CLD CELLD-DIG (DALI)	CLD CELL-E (1h)	CLD CELL-E (3h)	W tot	LUMEN OUTPUT (tq= 25 °C)	
colour	L (mm)	weight	code	code	code	code	K - olm - CRI - degrees			
white	2015	6,50	22302413-00	22302413-1241	22302413-09	22302413-31	121	4000K - 6593lm - CRI 90 - 54° 4000K - 2x2415lm - CRI 90 - 38°		
black	2015	6,50	22302433-00	22302433-1241	22302433-09	22302433-31				

Composition: Liset 2.0 with 54° comfort optics + 2 modules with 38° spotlight (upon request with 78° comfort optics + 32° or 50° spotlights).
 Standard version includes double switching.
On request: available 3000K version with sub-code -39. PUSH-DIMM version with sub-code -1245 or -3945.



Liset 2.0 - C+2M - suspension										
LED	colour	CLD CELL (ON-OFF)			CLD CELLD-DIG (DALI)	CLD CELL-E (1h)	CLD CELL-E (3h)	W tot	LUMEN OUTPUT (tq= 25 °C)	
		L (mm)	weight	code	code	code	code		K - ølm - CRI - degrees	
LED	white	2015	4,50	22302510-00	22302510-1241	22302510-09	22302510-31	57	4000K - 3163lm - CRI 80 4000K - 2x1319lm - CRI 90 - 54°	
LED	black	2015	4,50	22302530-00	22302530-1241	22302530-09	22302530-31	57	4000K - 3163lm - CRI 80 4000K - 2x1319lm - CRI 90 - 54°	

Composition: Liset 2.0 with diffuser + 2 comfort modules with 54° optics (upon request with 78° beam angle). Standard version includes double switching.
On request: available 3000K version with sub-code **-39**. PUSH-DIMM version with sub-code **-1245** or **-3945**.



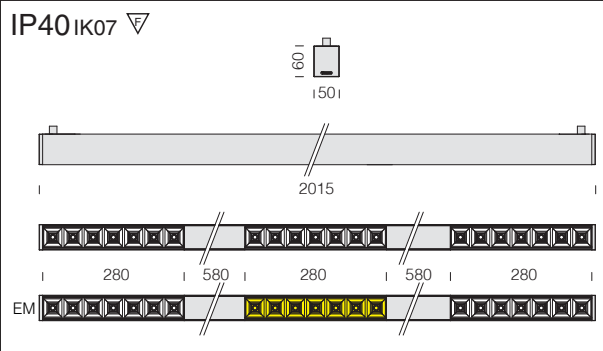
Liset 2.0 - C+2S - suspension										
LED	colour	CLD CELL (ON-OFF)			CLD CELLD-DIG (DALI)	CLD CELL-E (1h)	CLD CELL-E (3h)	W tot	LUMEN OUTPUT (tq= 25 °C)	
		L (mm)	weight	code	code	code	code		K - ølm - CRI - degrees	
LED	white	2015	5,50	22302511-00	22302511-1241	22302511-09	22302511-31	101	4000K - 3163lm - CRI 80 4000K - 2x2415lm - CRI 90 - 38°	
LED	black	2015	5,50	22302531-00	22302531-1241	22302531-09	22302531-31	101	4000K - 3163lm - CRI 80 4000K - 2x2415lm - CRI 90 - 38°	

Composition: Liset 2.0 with diffuser + 2 modules with 38° spotlight (upon request with 32° or 50° beam angles). Standard version includes double switching.
On request: available 3000K version with sub-code **-39**. PUSH-DIMM version with sub-code **-1245** or **-3945**.



-
-
-
-
-
-
-
-
-
-

On request



UGR<19

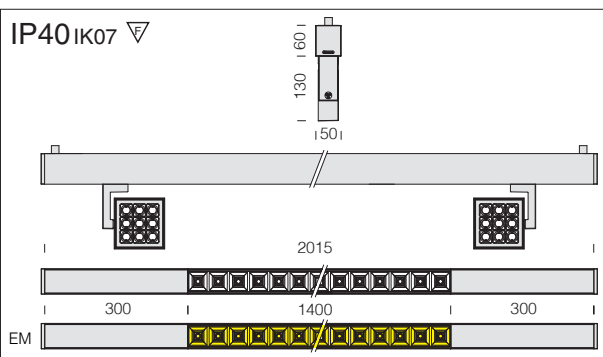


Liset 2.0 - C+H+3M - suspension - UGR<19

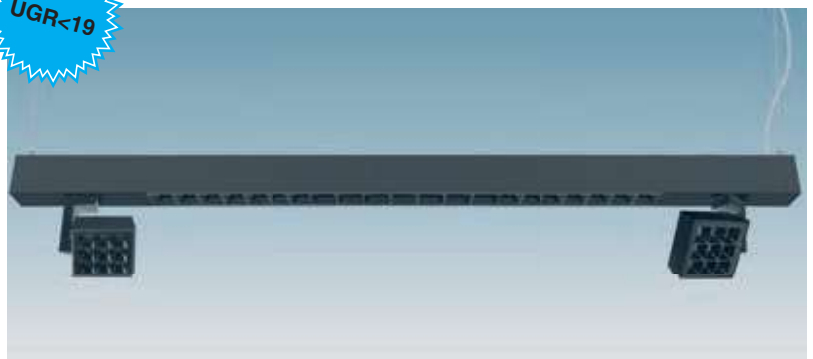
LED	colour	CLD CELL (ON-OFF)		CLD CELLD-DIG (DALI)	CLD CELL-E (1h)	CLD CELL-E (3h)	W tot	LUMEN OUTPUT (tq= 25 °C)	
		L (mm)	weight	code	code	code		code	K - ølm - CRI - degrees
LED	white	2015	4,60	22302512-00	22302512-1241	22302512-09	22302512-31	33	4000K - 3x1319lm - CRI 90 - 54°
	black			22302532-00	22302532-1241	22302532-09	22302532-31		

Composition: 3 modules with 54° comfort optics (upon request with 78° beam angle).

On request: available 3000K version with sub-code -39. PUSH-DIMM version with sub-code -1245 or -3945. With RADAR SENSOR: sub-code -19.



UGR<19



Liset 2.0 - C+M+2S - suspension - UGR<19

LED	colour	CLD CELL (ON-OFF)		CLD CELLD-DIG (DALI)	CLD CELL-E (1h)	CLD CELL-E (3h)	W tot	LUMEN OUTPUT (tq= 25 °C)	
		L (mm)	weight	code	code	code		code	K - ølm - CRI - degrees
LED	white	2015	6,50	22302513-00	22302513-1241	22302513-09	22302513-31	121	4000K - 6593lm - CRI 90 - 54°
									4000K - 2x2415lm - CRI 90 - 38°
LED	black	2015	6,50	22302533-00	22302533-1241	22302533-09	22302533-31	121	4000K - 6593lm - CRI 90 - 54°
									4000K - 2x2415lm - CRI 90 - 38°

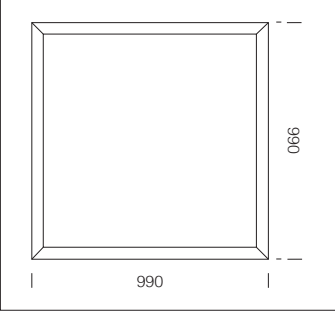
Composition: Liset 2.0 with 54° comfort optics + 2 modules with 38° spotlight (upon request with 78° comfort optics + 32° or 50° spotlights).

Standard version includes double switching.

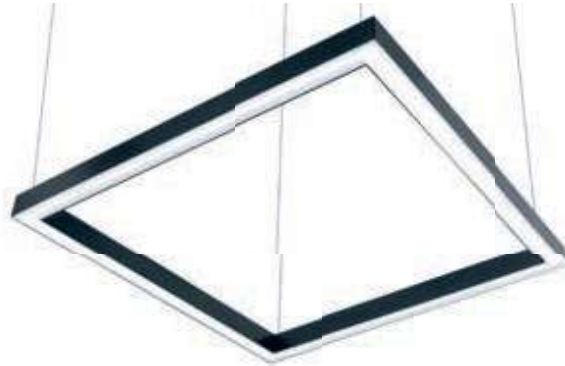
On request: available 3000K version with sub-code -39. PUSH-DIMM version with sub-code -1245 or -3945.



IP40IK07 ▽



All wattage and lumen values are maximum values and may be reduced based on design needs.

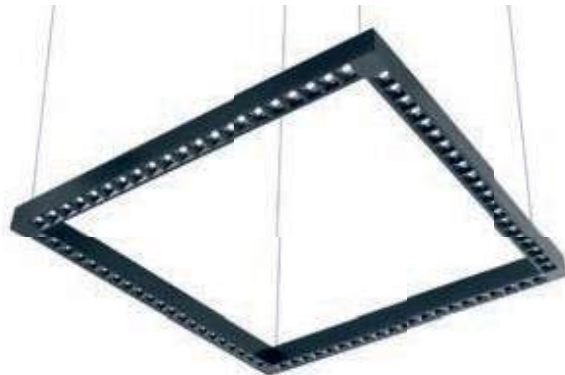
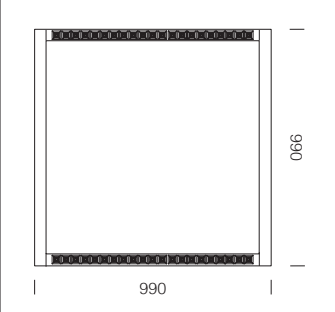


Liset 2.0 - C 4D	
LUMEN OUTPUT (tq= 25 °C)	
W tot	ølm
96	8672 lm



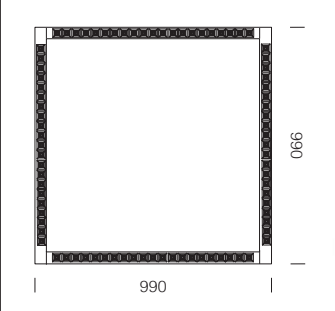
Liset 2.0 - C 2D+2M	
LUMEN OUTPUT (tq= 25 °C)	
W tot	ølm
114	12246 lm

IP40IK07 ▽

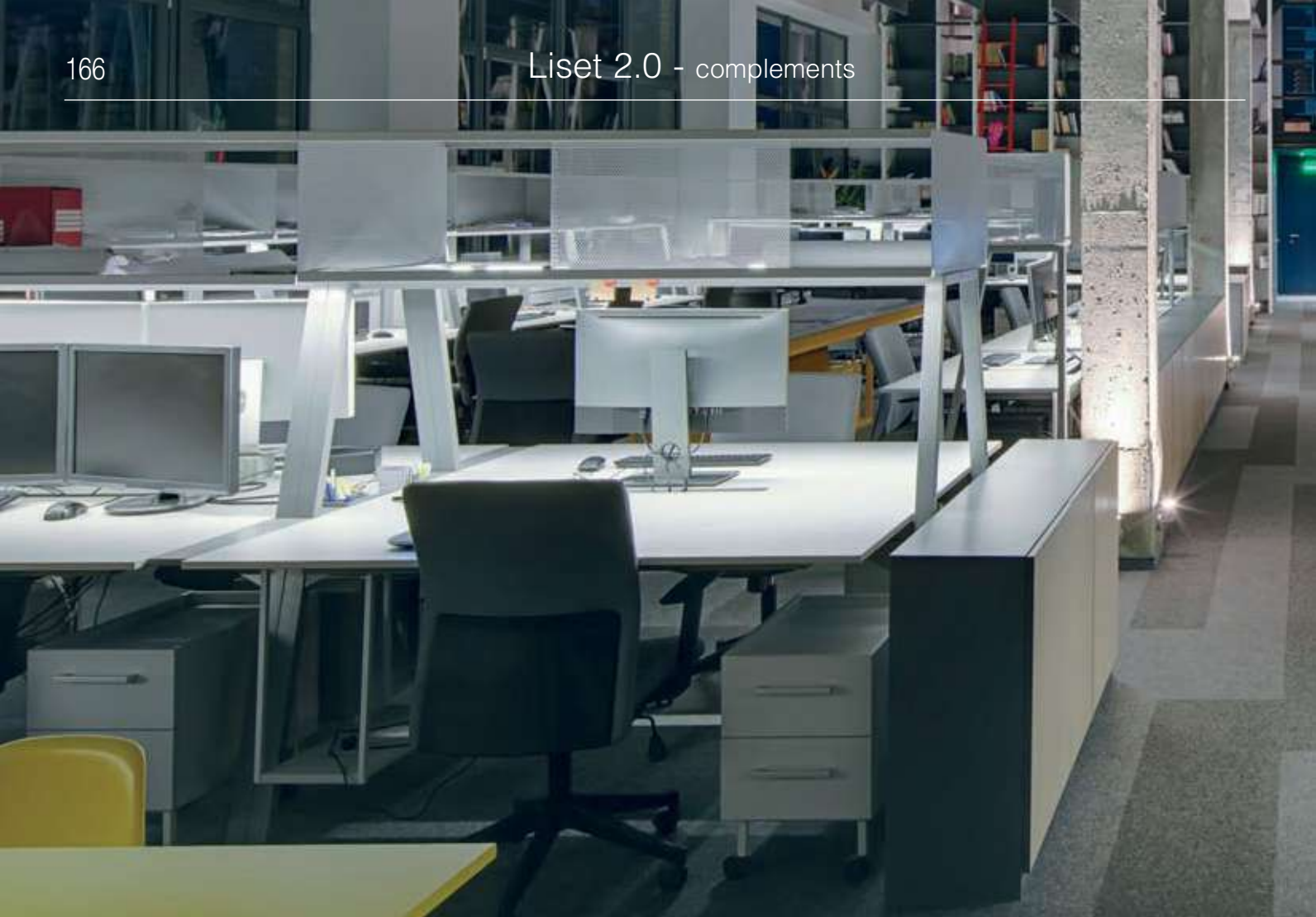


Liset 2.0 - C 4M	
LUMEN OUTPUT (tq= 25 °C)	
W tot	ølm
132	15820 lm

IP40IK07 ▽



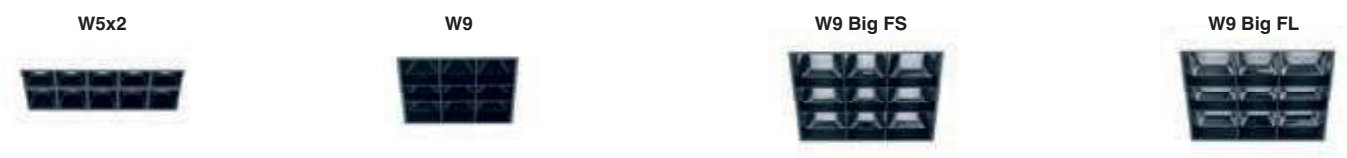
Other size on request



Separate modules - RECESSED DOWNLIGHTS

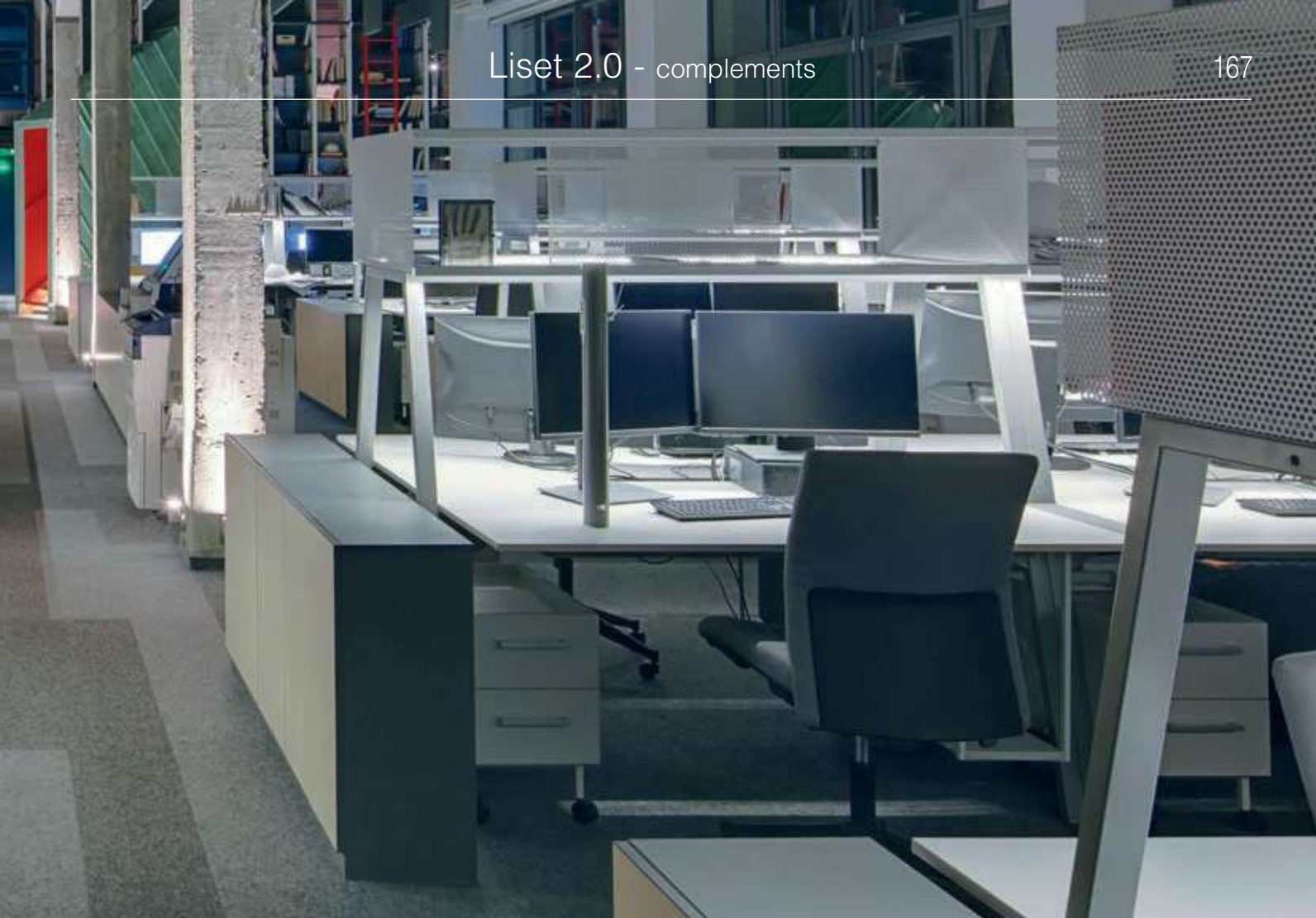


Separate modules - RECESSED DOWNLIGHTS FOR PLASTERBOARD



Separate modules - CEILING SPOTLIGHTS





Separate modules - **SPOT**

SPOT MW



WALLWASHER

SPOT PANEL 1



SPOT PANEL 2



Floodlights - **MATRIX Q DARK** series

MATRIX Q5 DARK "E"



MATRIX Q5 DARK "C"



MATRIX Q5 DARK "D"



MATRIX Q10 DARK "E"



MATRIX Q10 DARK "C"



MATRIX Q10 DARK "D"



MATRIX Q DARK - A



MATRIX Q DARK - B



MATRIX Q DARK - C



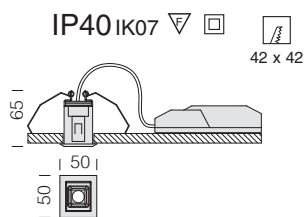
MATRIX Q DARK - D



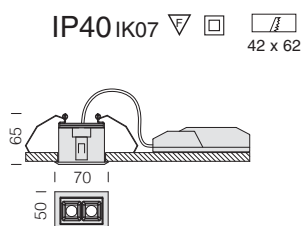
The system is made up of individual modules that can be **recessed mounting in plasterboard false ceilings** thanks to their remarkably small dimensions, allowing them to fit perfectly into any space. These modules are characterised by high-definition optics in thermally conductive plastic with metallic finish, combined with a special diffuser to optimise the luminous output and significantly reduce direct glare.



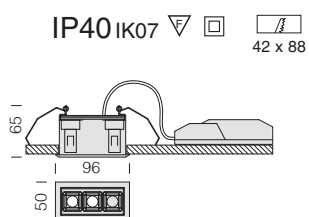
LED: Luminous flux maintenance 80%: 50.000h (L80B20). Power factor: ≥0,92. Photobiological safety class: Exempt group.



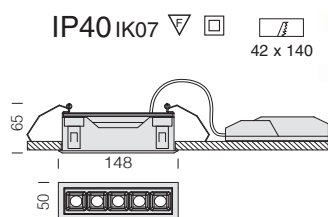
M1 - recessed - UGR<19				
		CLD CELL		LUMEN OUTPUT (tq= 25 °C)
LED	colour	code	W tot	K - ølm - CRI - degrees
1 module	white	22190101-00	4	4000K - 242lm - CRI 90 - 20°
		22190101-39		3000K - 225lm - CRI 90 - 20°
On request: 15°-30° version.				



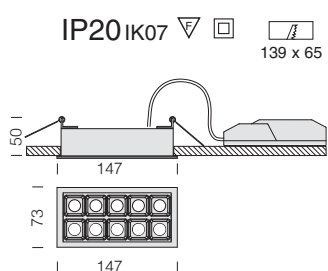
M2 - recessed - UGR<19				
		CLD CELL		LUMEN OUTPUT (tq= 25 °C)
LED	colour	code	W tot	K - ølm - CRI - degrees
2 modules	white	22190102-00	6	4000K - 465lm - CRI 90 - 20°
		22190102-39		3000K - 432lm - CRI 90 - 20°
On request: 15°-30° version.				



M3 - recessed - UGR<19				
		CLD CELL		LUMEN OUTPUT (tq= 25 °C)
LED	colour	code	W tot	K - ølm - CRI - degrees
3 modules	white	22190103-00	8	4000K - 690lm - CRI 90 - 20°
		22190103-39		3000K - 642lm - CRI 90 - 20°
On request: 15°-30° version.				



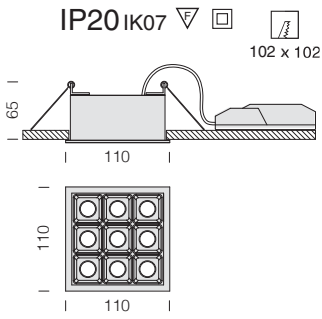
M5 - recessed - UGR<19				
		CLD CELL		LUMEN OUTPUT (tq= 25 °C)
LED	colour	code	W tot	K - ølm - CRI - degrees
5 modules	white	22190105-00	12	4000K - 1080lm - CRI 90 - 20°
		22190105-39		3000K - 1005lm - CRI 90 - 20°
On request: 15°-30° version.				



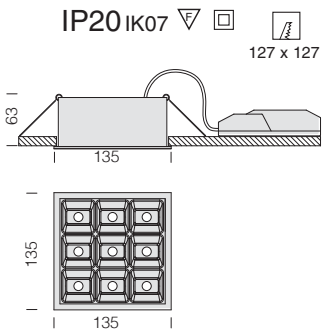
M5x2 - recessed				
		CLD CELL		LUMEN OUTPUT (tq= 25 °C)
LED	colour	code	W tot	K - ølm - CRI - degrees
10 modules	white	22190205-00	20	4000K - 1325lm - CRI>90 - 20°
		22190205-00		3000K - 1285lm - CRI>90 - 20°

On request: versions available with different aesthetic finishes ideal to create amazing light effects.

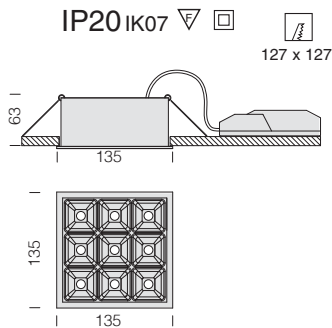




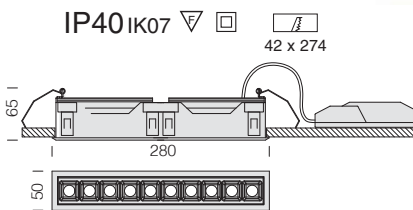
M9 - recessed				
		CLD CELL		LUMEN OUTPUT (tq= 25 °C)
LED	colour	code	W tot	K - ølm - CRI - degrees
9 modules	white	22190109-00	18	4000K - 910lm - CRI>90 - 15°
		22190109-39		3000K - 885lm - CRI>90 - 15°



M9 Big FS - recessed				
		CLD CELL		LUMEN OUTPUT (tq= 25 °C)
LED	colour	code	W tot	K - ølm - CRI - degrees
9 modules	white	22190109-22	36	4000K - 2640lm - CRI>90 - 15°
		22190109-3931		3000K - 2565lm - CRI>90 - 15°

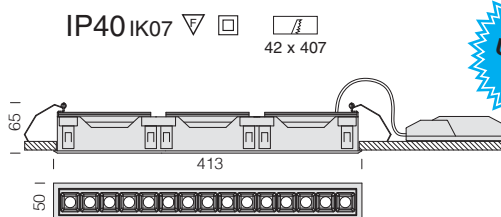


M9 Big FL - recessed				
		CLD CELL		LUMEN OUTPUT (tq= 25 °C)
LED	colour	code	W tot	K - ølm - CRI - degrees
9 modules	white	22190109-29	36	4000K - 2640lm - CRI>90 - 40°
		22190109-3932		3000K - 2565lm - CRI>90 - 40°



M10 - recessed - UGR<19				
		CLD CELL		LUMEN OUTPUT (tq= 25 °C)
LED	colour	code	W tot	K - ølm - CRI - degrees
10 modules	white	22190110-00	24	4000K - 2163lm - CRI 90 - 20°
		22190110-39		3000K - 2012lm - CRI 90 - 20°

On request: 15°-30° version.

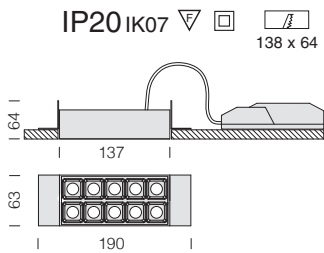


M15 - recessed - UGR<19				
		CLD CELL		LUMEN OUTPUT (tq= 25 °C)
LED	colour	code	W tot	K - ølm - CRI - degrees
15 modules	white	22190115-00	36	4000K - 3296lm - CRI 90 - 20°
		22190115-39		3000K - 3065lm - CRI 90 - 20°

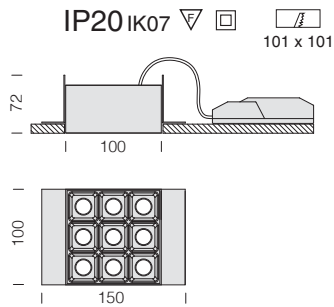
On request: 15°-30° version.



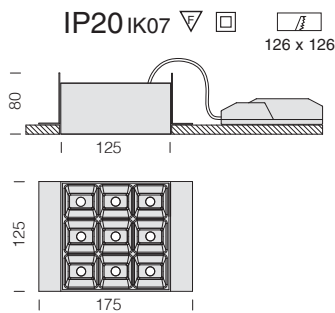




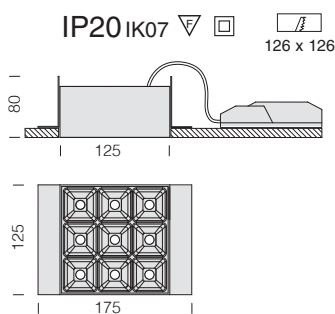
W5x2 - recessed				
LED		CLD CELL	W tot	LUMEN OUTPUT (tq= 25 °C)
		code		K - ølm - CRI - degrees
10 modules	white	22190235-00	20	4000K - 1294lm - CRI>90 - 18°
		22190235-39		3000K - 1256lm - CRI>90 - 18°



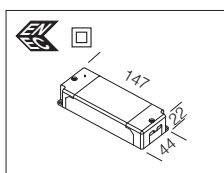
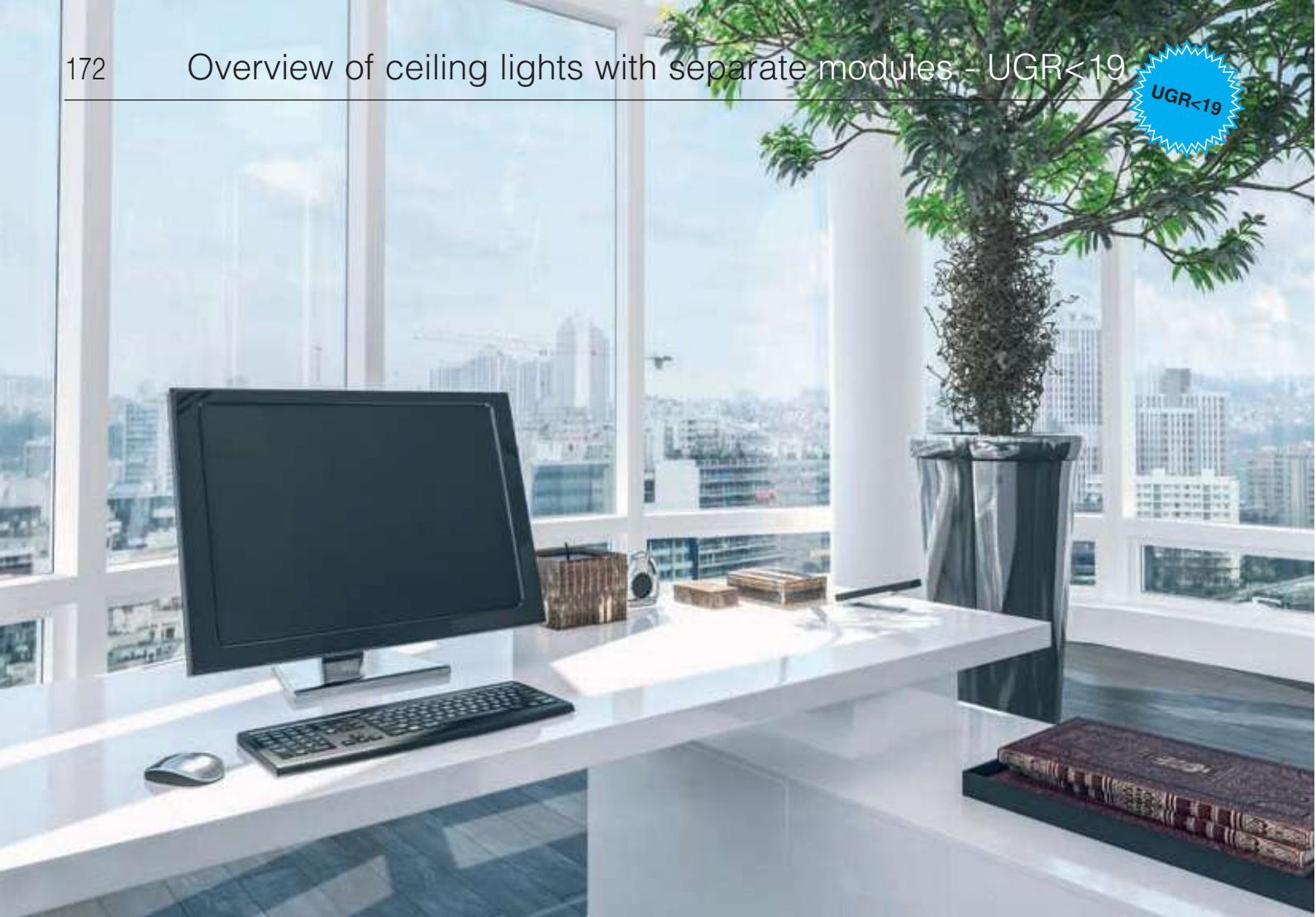
W9 - recessed				
LED		CLD CELL	W tot	LUMEN OUTPUT (tq= 25 °C)
		code		K - ølm - CRI - degrees
9 modules	white	22190139-00	18	4000K - 910lm - CRI>90 - 15°
		22190139-39		3000K - 885lm - CRI>90 - 15°



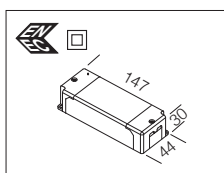
W9 Big FS - recessed				
LED		CLD CELL	W tot	LUMEN OUTPUT (tq= 25 °C)
		code		K - ølm - CRI - degrees
9 modules	white	22190139-22	36	4000K - 2640lm - CRI>90 - 15°
		22190139-3931		3000K - 2565lm - CRI>90 - 15°



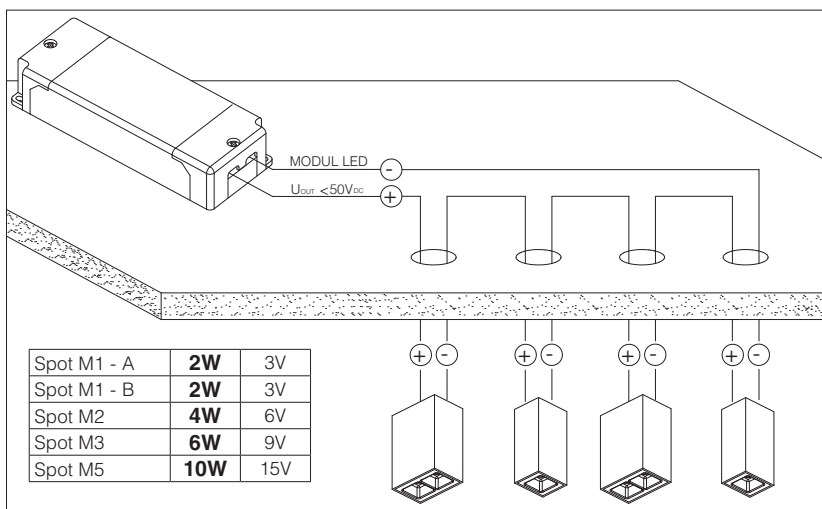
W9 Big FL - recessed				
LED		CLD CELL	W tot	LUMEN OUTPUT (tq= 25 °C)
		code		K - ølm - CRI - degrees
9 modules	white	22190139-3929	36	4000K - 2640lm - CRI>90 - 40°
		22190139-3932		3000K - 2565lm - CRI>90 - 40°



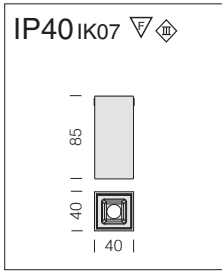
Driver ON-OFF	
white	220 90812-00
Min. 2V - Max 44V-30W (700mA).	



Driver DIMM-DALI	
white	220 90813-1241
Min. 10V - Max 54V-38W (700mA).	

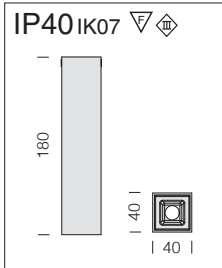


Spot M1 A - M1 B - M2 - M3 - M5					
Acc.	M1 A	M1 B	M2	M3	M5
220 90812-00 ON-OFF 700 mA	Min. 1 Spot Max. 14 Spot	Min. 1 Spot Max. 14 Spot	Min. 1 Spot Max. 7 Spot	Min. 1 Spot Max. 4 Spot	Min. 1 Spot Max. 2 Spot
220 90813-1241 DIMM-DALI 700 mA	Min. 4 Spot Max. 18 Spot	Min. 4 Spot Max. 18 Spot	Min. 2 Spot Max. 9 Spot	Min. 2 Spot Max. 6 Spot	Min. 1 Spot Max. 3 Spot



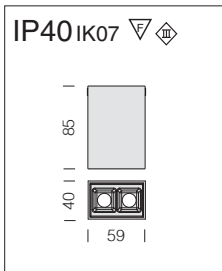
Spot M1-A - ceiling - UGR<19				
		CLD CELL		LUMEN OUTPUT (tq= 25 °C)
LED	colour	code	W	K - ølm - CRI - degrees
LED 1 module	white	22510101-00	2	4000K - 242lm - CRI 90 - 20°
		22510101-39		3000K - 225lm - CRI 90 - 20°

On request: 15°-30° version. Driver not included.



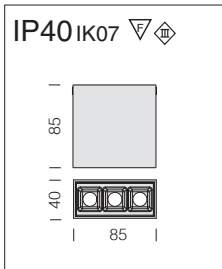
Spot M1-B - ceiling - UGR<19				
		CLD CELL		LUMEN OUTPUT (tq= 25 °C)
LED	colour	code	W	K - ølm - CRI - degrees
LED 1 module	white	22510104-00	2	4000K - 242lm - CRI 90 - 20°
		22510104-39		3000K - 225lm - CRI 90 - 20°

On request: 15°-30° version. Driver not included.



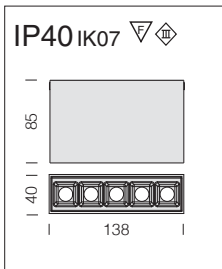
Spot M2 - ceiling - UGR<19				
		CLD CELL		LUMEN OUTPUT (tq= 25 °C)
LED	colour	code	W	K - ølm - CRI - degrees
LED 2 modules	white	22510102-00	4	4000K - 465lm - CRI 90 - 20°
		22510102-39		3000K - 432lm - CRI 90 - 20°

On request: 15°-30° version. Driver not included.



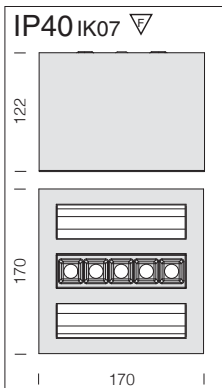
Spot M3 - ceiling - UGR<19				
		CLD CELL		LUMEN OUTPUT (tq= 25 °C)
LED	colour	code	W	K - ølm - CRI - degrees
LED 3 modules	white	22510103-00	6	4000K - 690lm - CRI 90 - 20°
		22510103-39		3000K - 642lm - CRI 90 - 20°

On request: 15°-30° version. Driver not included.



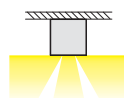
Spot M5 - ceiling - UGR<19				
		CLD CELL		LUMEN OUTPUT (tq= 25 °C)
LED	colour	code	W	K - ølm - CRI - degrees
LED 5 modules	white	22510105-00	10	4000K - 1080lm - CRI 90 - 20°
		22510105-39		3000K - 1005lm - CRI 90 - 20°

On request: 15°-30° version. Driver not included.



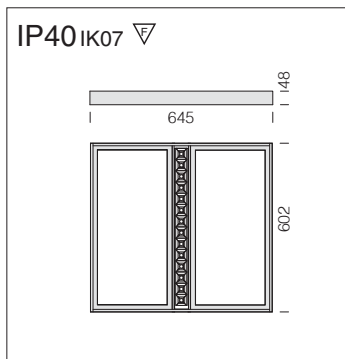
Spot MW - ceiling - UGR<19				
		CLD CELL		LUMEN OUTPUT (tq= 25 °C)
LED	colour	code	W tot	K - ølm - CRI - degrees
LED 3 modules	black	22520101-00	36	4000K - 2070lm - CRI 90 - 15°
		22520101-39		3000K - 1925lm - CRI 90 - 15°

On request: 30° version. Driver inside.



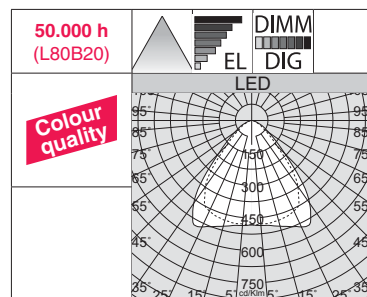
The innovative wall washer optic was designed to guarantee uniform lighting of walls, avoiding ant-aesthetic shadow areas. Suited for installation in transit areas or corridors.





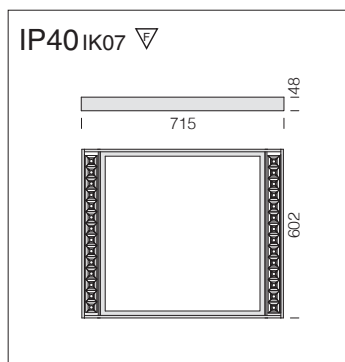
Inner slab: in PMMA.

Diffuser: in prismatic engineering plastic with high transmittance.



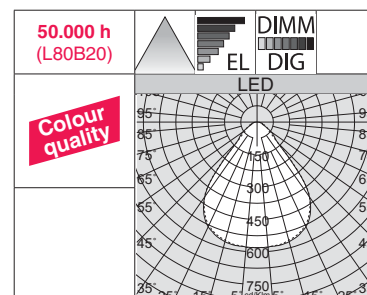
Spot panel 1 - ceiling - UGR<19							
LED	colour	CLD CELL (ON-OFF)		CLD CELLD-DIG (DALI)	CLD CELL-E (1h)	CLD CELL-E (3h)	LUMEN OUTPUT (tq= 25 °C)
		poids	code	code	code	code	
LED 14 modules	white	7,10	22530101-00	22530101-1241	22530101-09	22530101-31	51 K - ølm - CRI - degrees 4000K - 5400lm - CRI 90 3000K - 5022lm - CRI 90
			22530101-39	22530101-3941	22530101-0928	22530101-3957	

78° comfort module. **On request:** 54° version. Driver inside.
On request: possibility of separate ON/OFF switch.



Inner slab: in PMMA.

Diffuser: in prismatic engineering plastic with high transmittance.



Spot panel 2 - ceiling - UGR<19							
LED	colour	CLD CELL (ON-OFF)		CLD CELLD-DIG (DALI)	CLD CELL-E (1h)	CLD CELL-E (3h)	LUMEN OUTPUT (tq= 25 °C)
		poids	code	code	code	code	
LED 28 modules	white	8,20	22540101-00	22540101-1241	22540101-09	22540101-31	56 K - ølm - CRI - degrees 4000K - 5930lm - CRI 90 3000K - 5515lm - CRI 90
			22540101-39	22540101-3941	22540101-0928	22540101-3957	

78° comfort module. **On request:** 54° version. Driver inside.
On request: possibility of separate ON/OFF switch.



Sintesi System is the new linear lighting system by Fosnova with a sober and elegant design, available in a wide range of optics and LED modules. The system can be easily mounted as a suspension lamp for direct and/or indirect lighting, as a ceiling lamp or in continuous lines, making it the most effective choice for any lighting project and obtain the needed lighting level with an efficient use of energy.

Housing: in extruded 6060 aluminium alloy. Removable top cover in extruded 6060 aluminium for electrical connection.

Diffuser: wide-beam lenses in PMMA.

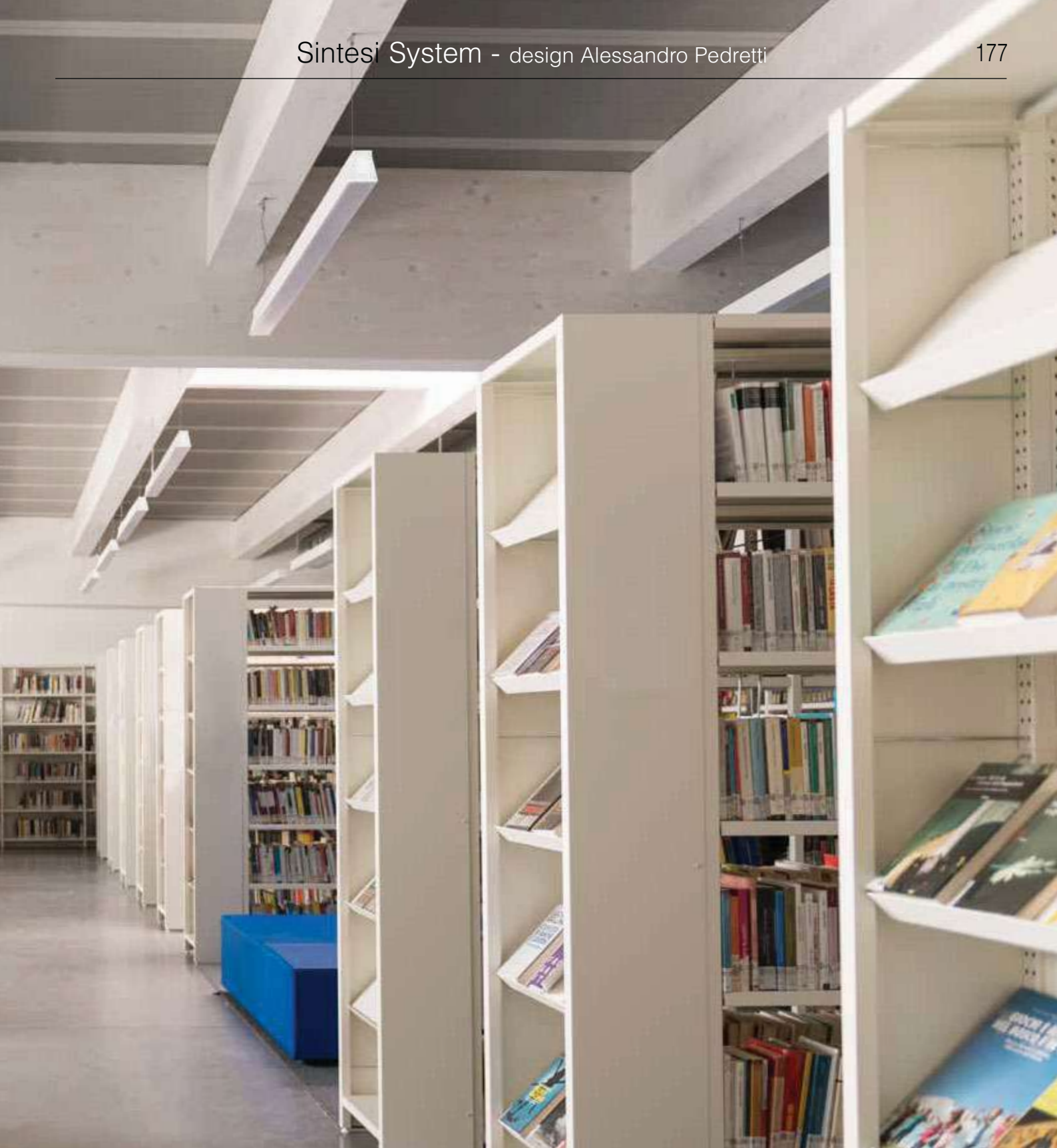
Closing ends: V0 ABS plastic injection moulded.

LED: Luminous flux maintenance 80%: **50.000 h (L80B20)**.

Power factor >0.92

Photobiological safety class: Exempt group.

* Data refer to the LED's **nominal luminous flux** (Ta= 25 °C) with a tolerance of ± 10% compared to the reported value. The **W** column indicates the **nominal power** of the LED module.









Classification of UGR values by applications

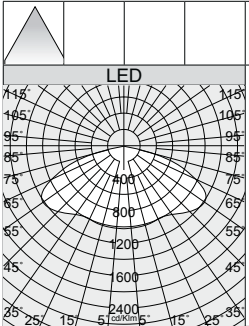
UGR	≤ 16	Very demanding applications (technical drawings)
	≤ 19	Offices and schools (reading, writing, business meetings, computer work)
	≤ 22	Industrial applications, craftsmen
	> 28	High glare

The UGR (unified glare rating) is an international unified measure developed by the CIE (Commission Internationale de l'Eclairage) to assess the direct glare generated by a lighting system. The European standard regulating the lighting of indoor work places (**UNI-EN 12464-1**) recommends a specific UGR value for different applica-

tions ranging between **10 and 30**; **the lower the UGR value, the lower the glare**. The exact value of this index differs by project type because it depends on the position of the luminaires, room characteristics (dimensions, reflections) and on the point of observation of viewers.






LED

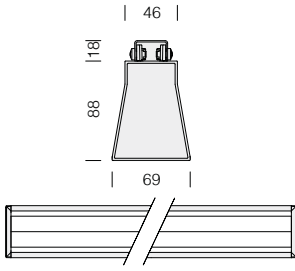
50.000 h
(L80B20)




Possibility to be mounted in continuous lines with the connecting bracket with code 22025876-00



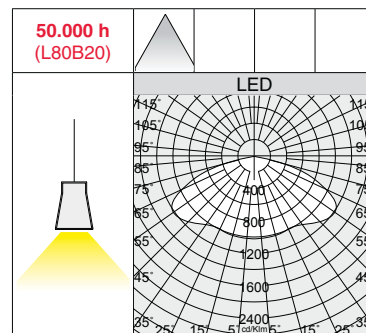
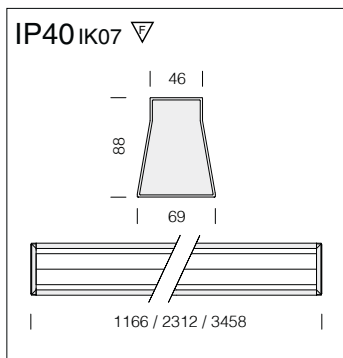
IP40 IK07



1166 / 2312 / 3458

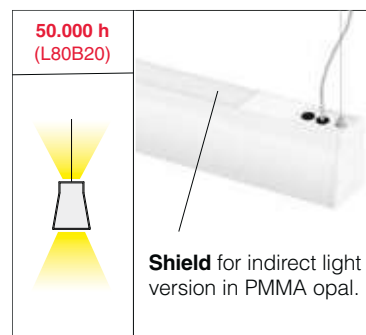
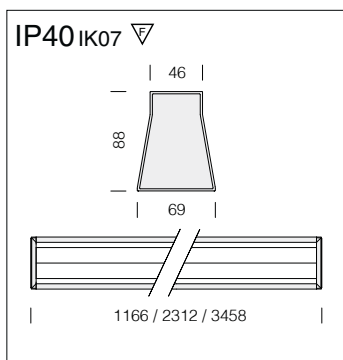


Sintesi System - ceiling - with wide-beam lenses								
		CLD CELL (ON-OFF)		CLD CELL-DIG (DALI)	CLD CELL-E (1 h)	CLD CELL-E (3 h)	LUMEN OUTPUT (tq= 25 °C)	
LED	colour	L (mm)	code	code	code	code	W	K - ølm (350mA) - CRI
4 modules	white	1166	22010410-39	22010410-3941	22010410-0928		29	3000K - 2267lm - CRI 80
			22010410-00	22010410-1241	22010410-09			4000K - 2438lm - CRI 80
8 modules	white	2312	22010411-39	22010411-3941	22010411-0928	22010411-3957	56	3000K - 4534lm - CRI 80
			22010411-00	22010411-1241	22010411-09	22010411-31		4000K - 4876lm - CRI 80
12 modules	white	3458	22010412-39	22010412-3941	22010412-0928	22010412-3957	81	3000K - 6802lm - CRI 80
			22010412-00	22010412-1241	22010412-09	22010412-31		4000K - 7314lm - CRI 80



Sintesi System - suspension - with wide-beam lenses

LED	colour	CLD CELL				W	LUMEN OUTPUT (tq= 25 °C)	
		(ON-OFF)	DIG (DALI)	(1 h)	(3 h)		K - ølm (350mA) - CRI	
4 modules	white	1166	22010413-39	22010413-3941	22010413-0928	29	3000K - 2267lm - CRI 80	
			22010413-00	22010413-1241	22010413-09		4000K - 2438lm - CRI 80	
8 modules	white	2312	22010414-39	22010414-3941	22010414-0928	56	3000K - 4534lm - CRI 80	
			22010414-00	22010414-1241	22010414-09		22010414-31	4000K - 4876lm - CRI 80
12 modules	white	3458	22010415-39	22010415-3941	22010415-0928	81	3000K - 6802lm - CRI 80	
			22010415-00	22010415-1241	22010415-09		22010415-31	4000K - 7314lm - CRI 80

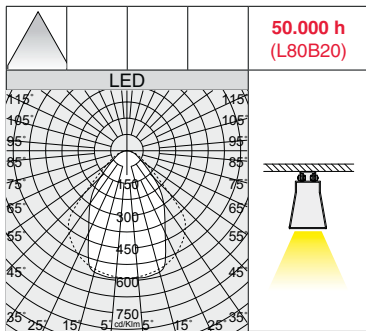


Indirect light distribution.

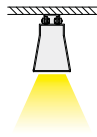


Sintesi System - suspension - direct/indirect light - with wide-beam lenses

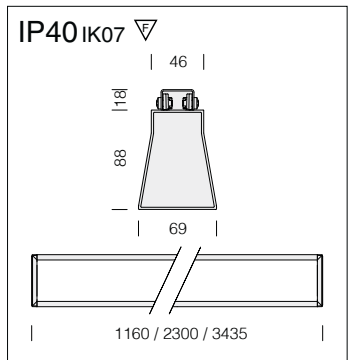
LED	colour	CLD CELL		W	LUMEN OUTPUT (tq= 25 °C)		
		(ON-OFF)	DIG (DALI)		K - ølm (350mA+175mA) - CRI		
4+3 modules	white	1166	22010416-39	22010416-3941	40	3000K - 3367lm - CRI 80	
			22010416-00	22010416-1241		4000K - 3621lm - CRI 80	
8+6 modules	white	2312	22010417-39	22010417-3941	76	3000K - 6734lm - CRI 80	
			22010417-00	22010417-1241		4000K - 7242lm - CRI 80	
12+9 modules	white	3458	22010418-39	22010418-3941	106	3000K - 10101lm - CRI 80	
			22010418-00	22010418-1241		4000K - 10863lm - CRI 80	



50.000 h
(L80B20)

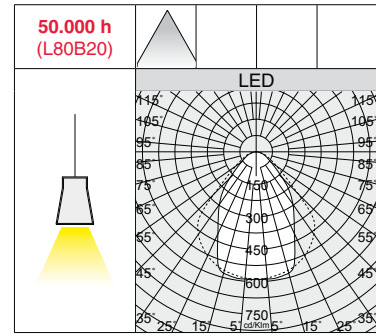
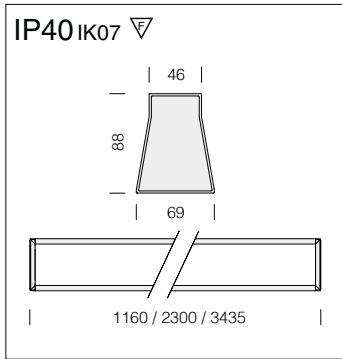


Possibility to be mounted in continuous lines with the connecting bracket with code 22025876-00

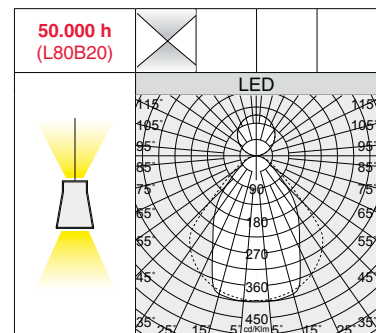
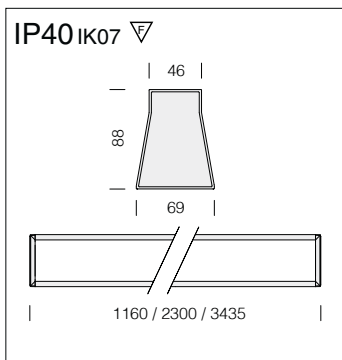


Sintesi System - ceiling - with UGR<19 shield

		Sintesi System - ceiling - with UGR<19 shield					
		CLD CELL (ON-OFF)	CLD CELL-DIG (DALI)	CLD CELL-E (1 h)	CLD CELL-E (3 h)	LUMEN OUTPUT (tq= 25 °C)	
LED	colour	L (mm)	code	code	code	W	K - l/m (700mA) - CRI
4 modules	white	1166	22010110-39	22010110-3941	22010110-0928	29	3000K - 2369lm - CRI 80
			22010110-00	22010110-1241	22010110-09		4000K - 2547lm - CRI 80
8 modules	white	2312	22010111-39	22010111-3941	22010111-0928	22010111-3957	3000K - 4737lm - CRI 80
			22010111-00	22010111-1241	22010111-09	22010111-31	4000K - 5094lm - CRI 80
12 modules	white	3458	22010112-39	22010112-3941	22010112-0928	22010112-3957	3000K - 7106lm - CRI 80
			22010112-00	22010112-1241	22010112-09	22010112-31	4000K - 7641lm - CRI 80



Sintesi System - suspension - with UGR<19 shield								
LED	colour	L (mm)	CLD CELL (ON-OFF) code	CLD CELL-DIG (DALI) code	CLD CELL-E (1 h) code	CLD CELL-E (3 h) code	LUMEN OUTPUT (tq= 25 °C)	
4 modules	white	1166	22010113-39	22010113-3941	22010113-0928		29	
			22010113-00	22010113-1241	22010113-09			
8 modules	white	2312	22010114-39	22010114-3941	22010114-0928		56	
			22010114-00	22010114-1241	22010114-09			
12 modules	white	3458	22010115-39	22010115-3941	22010115-0928		81	
			22010115-00	22010115-1241	22010115-09			
							W	K - ølm (700mA) - CRI
								3000K - 2369lm - CRI 80
								4000K - 2547lm - CRI 80
								3000K - 4737lm - CRI 80
								4000K - 5094lm - CRI 80
								3000K - 7106lm - CRI 80
								4000K - 7641lm - CRI 80



Indirect light distribution.



Sintesi System - suspension - direct/indirect - with UGR<19 shield							
LED	colour	L (mm)	CLD CELL (ON-OFF) code	CLD CELL-DIG (DALI) code	W	LUMEN OUTPUT (tq= 25 °C)	
4+3 modules	white	1166	22010116-39	22010116-3941	40	K - ølm (700mA+175mA) - CRI	
			22010116-00	22010116-1241		3000K - 3468lm - CRI 80	
8+6 modules	white	2312	22010117-39	22010117-3941	76	4000K - 3729lm - CRI 80	
			22010117-00	22010117-1241		3000K - 6936lm - CRI 80	
12+9 modules	white	3458	22010118-39	22010118-3941	108	4000K - 7458lm - CRI 80	
			22010118-00	22010118-1241		3000K - 10404lm - CRI 80	
							4000K - 11187lm - CRI 80



50.000 h
(L80B20)

LED

DIMM DIG

EM

LOW FLICKER

RGO

Possibility to be mounted in continuous lines with the connecting bracket with code **22025876-00**

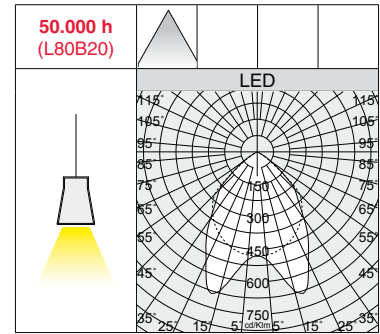
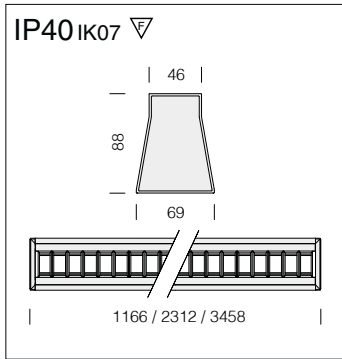


UGR<19

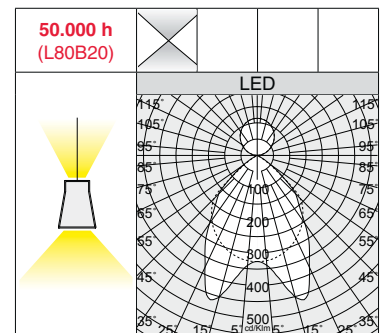
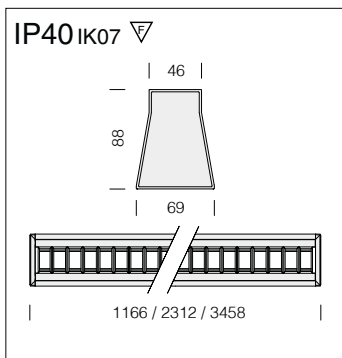
IP40 IK07 ▽

1166 / 2312 / 3458

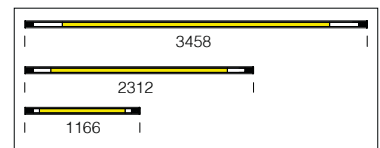
Sintesi System - ceiling - Dark light - UGR<19								
		CLD CELL (ON-OFF)		CLD CELL-DIG (DALI)	CLD CELL-E (1 h)	CLD CELL-E (3 h)	LUMEN OUTPUT (tq= 25 °C)	
LED	colour	L (mm)	code	code	code	code	W	K - ølm (700mA) - CRI
4 modules	white	1166	22010010-39	22010010-3941	22010010-0928		29	3000K - 2335lm - CRI 80
			22010010-00	22010010-1241	22010010-09			4000K - 2511lm - CRI 80
8 modules	white	2312	22010011-39	22010011-3941	22010011-0928	22010011-3957	56	3000K - 4670lm - CRI 80
			22010011-00	22010011-1241	22010011-09	22010011-31		4000K - 5022lm - CRI 80
12 modules	white	3458	22010012-39	22010012-3941	22010012-0928	22010012-3957	81	3000K - 7006lm - CRI 80
			22010012-00	22010012-1241	22010012-09	22010012-31		4000K - 7533lm - CRI 80



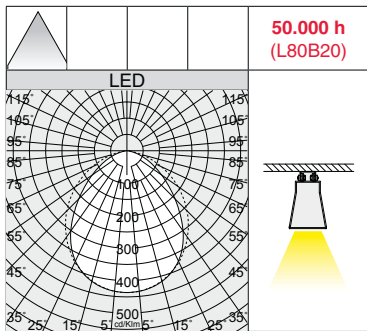
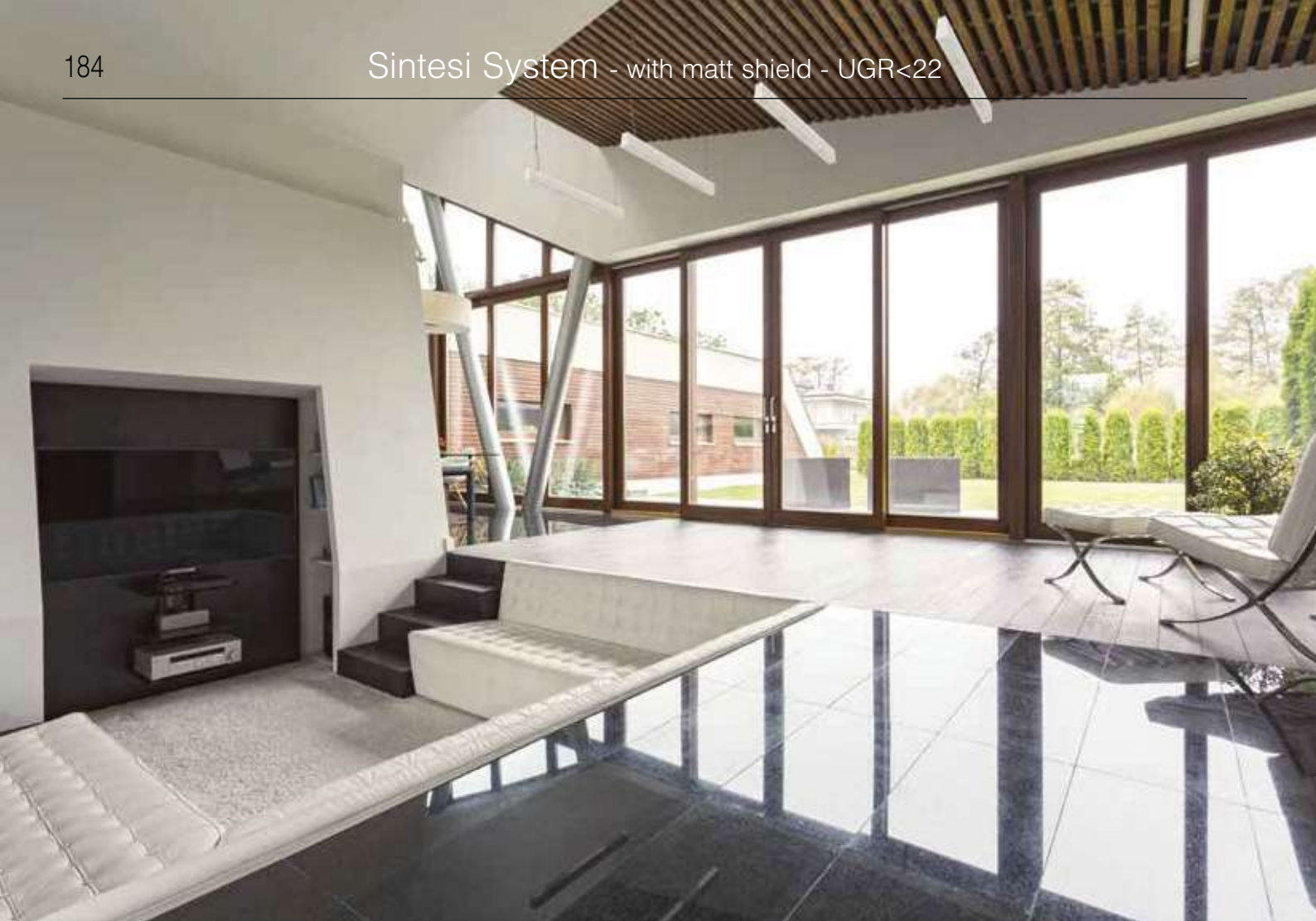
Sintesi System - suspension - Dark light - UGR<19												
LED	colour	CLD CELL (ON-OFF)		CLD CELL-DIG (DALI)		CLD CELL-E (1 h)		CLD CELL-E (3 h)		W	LUMEN OUTPUT (tq= 25 °C)	
		L (mm)	code	code	code	code	code	K - ølm (700mA) - CRI				
4 modules	white	1166	22010013-39	22010013-3941	22010013-0928			29	3000K - 2335lm - CRI 80			
			22010013-00	22010013-1241	22010013-09		4000K - 2511lm - CRI 80					
8 modules	white	2312	22010014-39	22010014-3941	22010014-0928	22010014-3957		56	3000K - 4670lm - CRI 80			
			22010014-00	22010014-1241	22010014-09	22010014-31	4000K - 5022lm - CRI 80					
12 modules	white	3458	22010015-39	22010015-3941	22010015-0928	22010015-3957		81	3000K - 7006lm - CRI 80			
			22010015-00	22010015-1241	22010015-09	22010015-31	4000K - 7533lm - CRI 80					



Indirect light distribution.



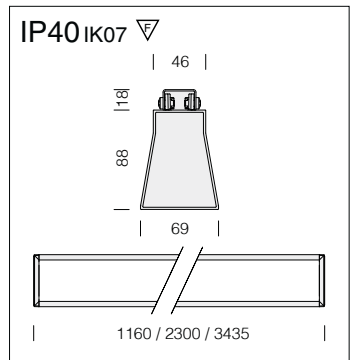
Sintesi System - suspension - direct/indirect light - Dark light - UGR<19								
LED	colour	CLD CELL (ON-OFF)		CLD CELL-DIG (DALI)		W	LUMEN OUTPUT (tq= 25 °C)	
		L (mm)	code	code	code		K - ølm (700mA+175mA) - CRI	
4+3 modules	white	1166	22010016-39	22010016-3941		40	3000K - 3434lm - CRI 80	
			22010016-00	22010016-1241			4000K - 3693lm - CRI 80	
8+6 modules	white	2312	22010017-39	22010017-3941		76	3000K - 6869lm - CRI 80	
			22010017-00	22010017-1241			4000K - 7386lm - CRI 80	
12+9 modules	white	3458	22010018-39	22010018-3941		108	3000K - 10303lm - CRI 80	
			22010018-00	22010018-1241			4000K - 11079lm - CRI 80	



Possibility to be mounted in continuous lines with the connecting bracket with code 22025876-00

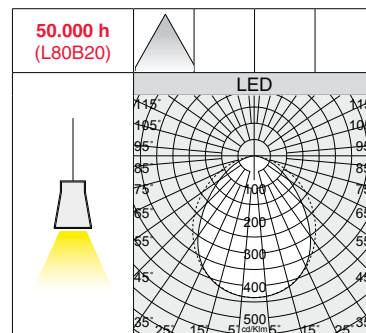
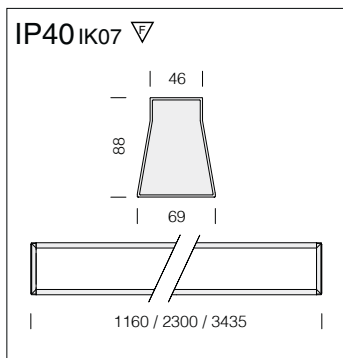


UGR<22



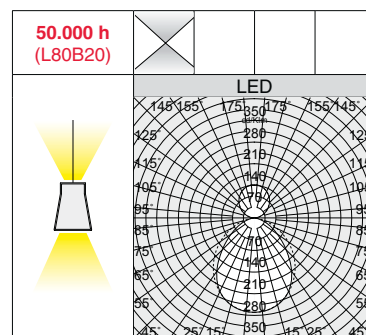
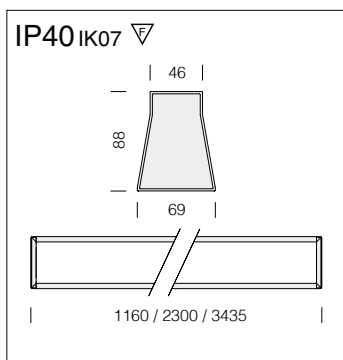
Sintesi System - ceiling - with matt shield - UGR<22

		CLD CELL (ON-OFF)				CLD CELL-DIG (DALI)		CLD CELL-E (1 h)		CLD CELL-E (3 h)		LUMEN OUTPUT (tq= 25 °C)	
LED	colour	L (mm)	code		code		code		code		W	K - ølm (700mA) - CRI	
4 modules	white	1166	22010210-39	22010210-00	22010210-3941	22010210-1241	22010210-0928	22010210-09			29	3000K - 2550lm - CRI 80	4000K - 2742lm - CRI 80
			22010211-39	22010211-00	22010211-3941	22010211-1241	22010211-0928	22010211-09	22010211-3957	22010211-31		3000K - 5100lm - CRI 80	4000K - 5484lm - CRI 80
8 modules	white	2312	22010212-39	22010212-00	22010212-3941	22010212-1241	22010212-0928	22010212-09	22010212-3957		81	3000K - 7650lm - CRI 80	4000K - 8226lm - CRI 80
			22010212-39	22010212-00	22010212-3941	22010212-1241	22010212-0928	22010212-09	22010212-31			3000K - 7650lm - CRI 80	4000K - 8226lm - CRI 80

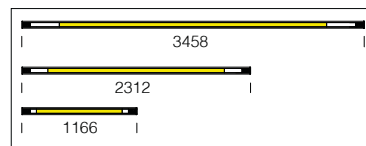


Sintesi System - suspension - with matt shield - UGR<22

LED	colour	CLD CELL (ON-OFF)				W	LUMEN OUTPUT (tq= 25 °C)
		L (mm)	code	code	code		
4 modules	white	1166	22010213-39	22010213-3941	22010213-0928	29	3000K - 2550lm - CRI 80
			22010213-00	22010213-1241	22010213-09		4000K - 2742lm - CRI 80
8 modules	white	2312	22010214-39	22010214-3941	22010214-0928	22010214-3957	3000K - 5100lm - CRI 80
			22010214-00	22010214-1241	22010214-09	22010214-31	4000K - 5484lm - CRI 80
L12 modules	white	3458	22010215-39	22010215-3941	22010215-0928	22010215-3957	3000K - 7650lm - CRI 80
			22010215-00	22010215-1241	22010215-09	22010215-31	4000K - 8226lm - CRI 80

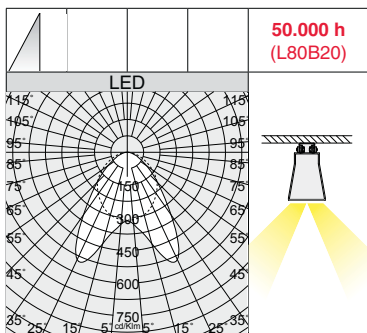


Indirect light distribution.



Sintesi System - suspension - direct/indirect light - with matt shield - UGR<22

LED	colour	CLD CELL (ON-OFF)		CLD CELL-DIG (DALI)		W	LUMEN OUTPUT (tq= 25 °C)
		L (mm)	code	code	code		
4+3 modules	white	1166	22010216-39	22010216-3941	40	3000K - 3649lm - CRI 80	
			22010216-00	22010216-1241		4000K - 3924lm - CRI 80	
8+6 modules	white	2312	22010217-39	22010217-3941	76	3000K - 7299lm - CRI 80	
			22010217-00	22010217-1241	4000K - 7848lm - CRI 80		
12+9 modules	white	3458	22010218-39	22010218-3941	108	3000K - 10948lm - CRI 80	
			22010218-00	22010218-1241	4000K - 11772lm - CRI 80		

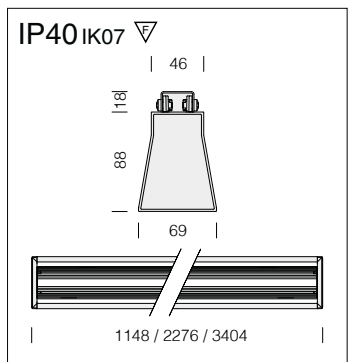


50.000 h
(L80B20)

Possibility to be mounted in continuous lines with the connecting bracket with code 22025876-00

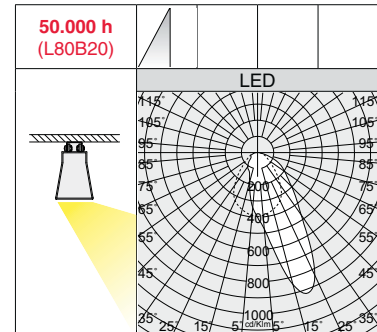
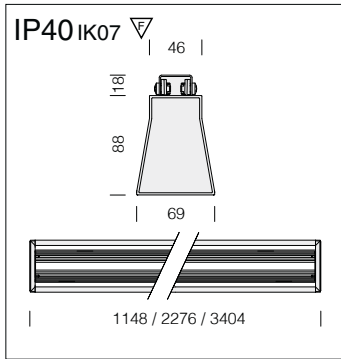


UGR<22



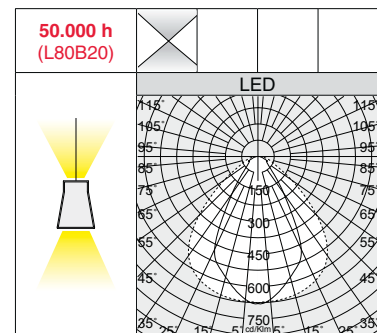
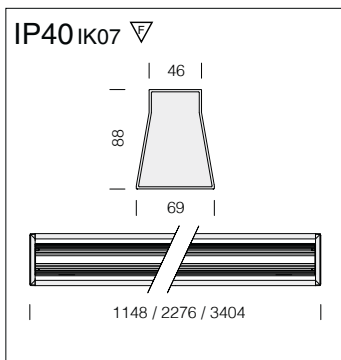
Sintesi System - ceiling - 25° bi-asymmetric - UGR<22

		CLD CELL (ON-OFF)				CLD CELL-DIG (DALI)		CLD CELL-E (1 h)		CLD CELL-E (3 h)		LUMEN OUTPUT (tq= 25 °C)	
LED	colour	L (mm)	code	code	code	code	code	code	code	W	K - dlm (350mA) - CRI		
4 modules	white	1148	22010310-39	22010310-3941	22010310-0928					29	3000K - 3189lm - CRI 80		
			22010310-00	22010310-1241	22010310-09			4000K - 3429lm - CRI 80					
8 modules	white	2276	22010311-39	22010311-3941	22010311-0928	22010311-3957				56	3000K - 6378lm - CRI 80		
			22010311-00	22010311-1241	22010311-09	22010311-31		4000K - 6858lm - CRI 80					
L12 modules	white	3404	22010312-39	22010312-3941	22010312-0928	22010312-3957				81	3000K - 9567lm - CRI 80		
			22010312-00	22010312-1241	22010312-09	22010312-31		4000K - 10287lm - CRI 80					

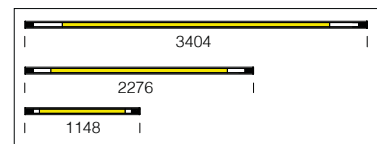


Sintesi System - ceiling - 25° asymmetric - UGR<22

LED	colour	CLD CELL (ON-OFF)				LUMEN OUTPUT (tq= 25 °C)		
		L (mm)	code	code	code	code	W	K - ølm (350mA) - CRI
4 modules	white	1148	22010313-39	22010313-3941	22010313-0928		29	3000K - 2875lm - CRI 80
			22010313-00	22010313-1241	22010313-09			4000K - 3091lm - CRI 80
8 modules	white	2276	22010314-39	22010314-3941	22010314-0928	22010314-3957	56	3000K - 5794lm - CRI 80
			22010314-00	22010314-1241	22010314-09	22010314-31		4000K - 6182lm - CRI 80
12 modules	white	3404	22010315-39	22010315-3941	22010315-0928	22010315-3957	81	3000K - 8624lm - CRI 80
			22010315-00	22010315-1241	22010315-09	22010315-31		4000K - 9273lm - CRI 80



Indirect light distribution.



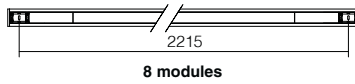
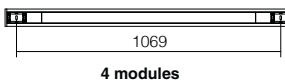
Sintesi System - suspension - direct/indirect light - 60° wide-beam - UGR<22

LED	colour	CLD CELL (ON-OFF)		CLD CELL-DIG (DALI)		LUMEN OUTPUT (tq= 25 °C)	
		L (mm)	code	code	code	W	K - ølm (350mA+175mA) - CRI
4+3 modules	white	1148	22010316-39	22010316-3941		40	3000K - 4205lm - CRI 80
			22010316-00	22010316-1241			4000K - 4521lm - CRI 80
8+6 modules	white	2276	22010317-39	22010317-3941		76	3000K - 8409lm - CRI 80
			22010317-00	22010317-1241			4000K - 9042lm - CRI 80
12+9 modules	white	3404	22010318-39	22010318-3941		106	3000K - 12614lm - CRI 80
			22010318-00	22010318-1241			4000K - 13563lm - CRI 80

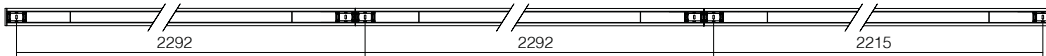


Application as **ceiling lamp** - Sintesi System with **dark light shield - wide-beam lenses**

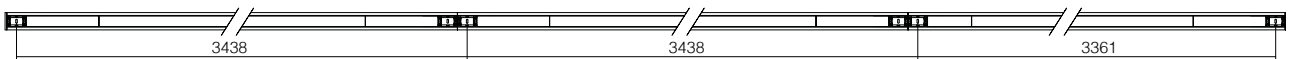
Ceiling base mounting - **individual lamp**



Ceiling base mounting - **8 modules in continuous line**

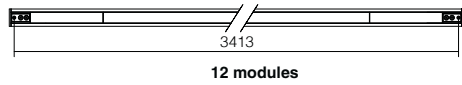
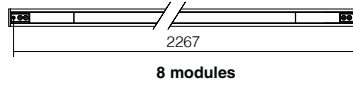
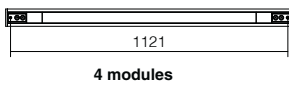


Ceiling base mounting - **12 modules in continuous line**

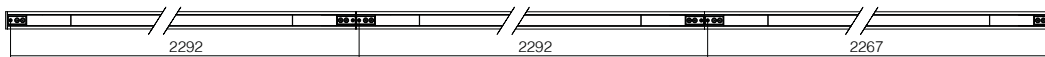


Application as **direct and direct/indirect light suspension lamp** - Sintesi System with **dark light shield - wide-beam lenses**

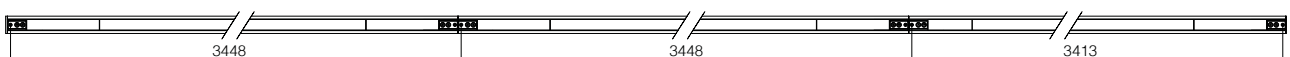
Suspension base mounting - **individual lamp**



Suspension base mounting - **8 modules in continuous line**

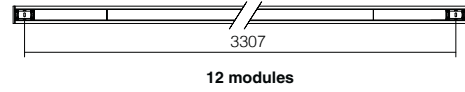
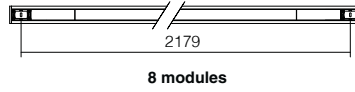
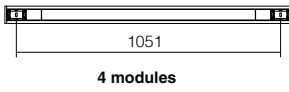


Suspension base mounting - **12 modules in continuous line**

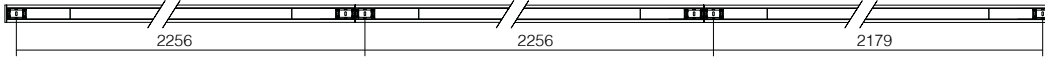


Application as **ceiling lamp** - Sintesi System with **modular lenses**

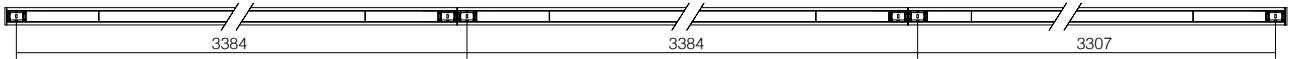
Ceiling base mounting - **individual lamp**



Ceiling base mounting - **8 modules in continuous line**

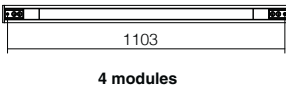


Ceiling base mounting - **12 modules in continuous line**

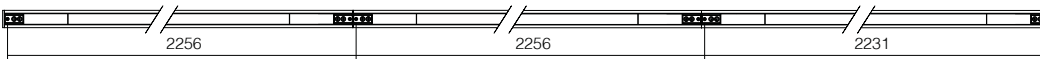


Application as **direct and direct/indirect light suspension lamp** - Sintesi System with **modular lenses**

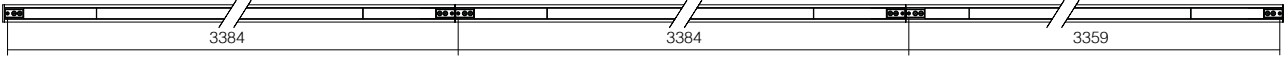
Suspension base mounting - **individual lamp**



Suspension base mounting - **8 modules in continuous line**

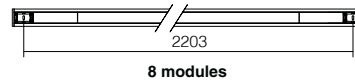
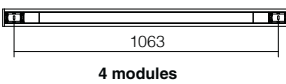


Suspension base mounting - **12 modules in continuous line**

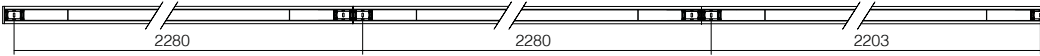


Application as **ceiling lamp** - Sintesi System with **UGR<19 - UGR<22 shield**

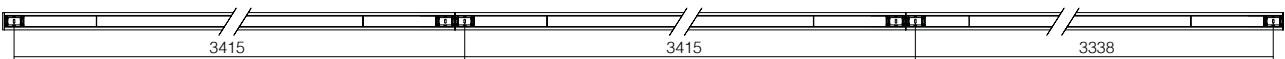
Ceiling base mounting - **individual lamp**



Ceiling base mounting - **8 modules in continuous line**

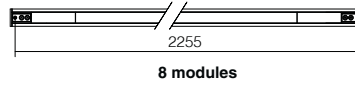
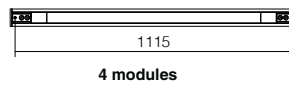


Ceiling base mounting - **12 modules in continuous line**

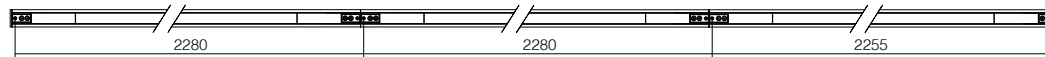


Application as **direct and direct/indirect light suspension lamp** - Sintesi System with **UGR<19 - UGR<22 shield**

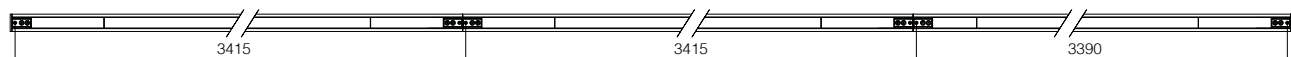
Suspension base mounting - **individual lamp**

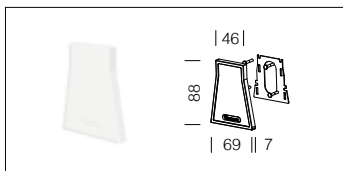


Suspension base mounting - **8 modules in continuous line**

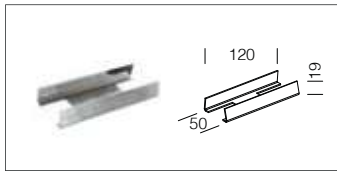


Suspension base mounting - **12 modules in continuous line**

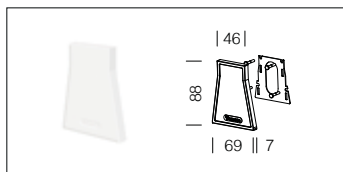




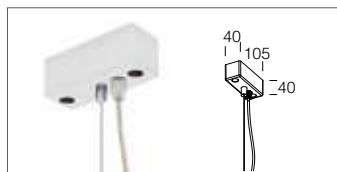
Closing ends	
22025812-00	
For closing the terminal end of the linear installation. For versions with the shields, dark light optics and wide-beam lens.	



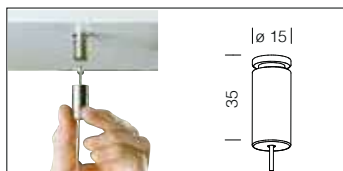
Connecting bracket	
22025876-00	
It permits mechanical connection of the profiles.	



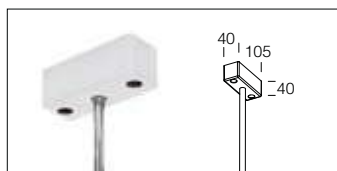
Closing ends	
22025813-00	
For closing the terminal end of the linear installation. For version with modular lens.	



Powered suspension with wire	
white	22003190-00
Supplied with steel wire (L = 100cm) and millimetre adjustment device and power cord. Max loading: 20Kg.	



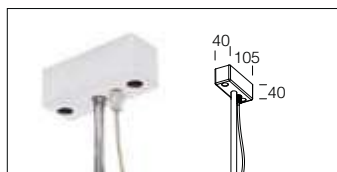
Suspension	
galvanised	22003166-00
Supplied with steel wire (L=1,75m) and millimetre adjustment device. Max load: 20 kg.	



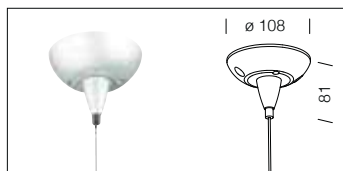
Suspension with rods	
white	22003117-00
Complete with rods. Max loading: 30Kg. Length: 50cm - ø10 mm.	



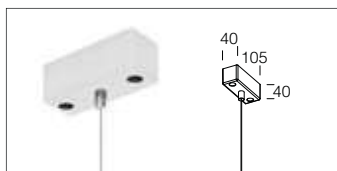
Powered suspension	
white	22003113-00
Supplied with steel wire (L = 100cm) and millimetre adjustment device and power cord. Max loading: 20Kg.	



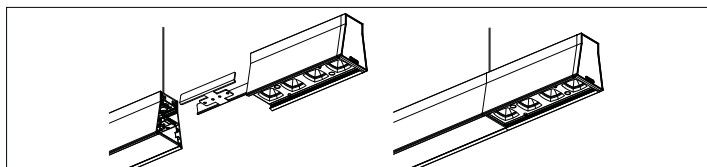
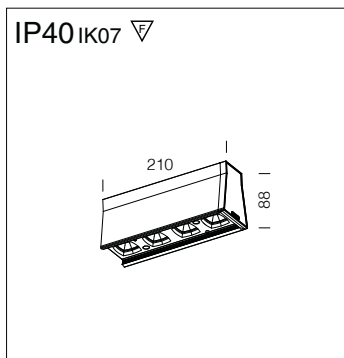
Powered suspension with rods	
white	22003116-00
Complete with power cord and rods. Max loading: 30Kg. Length: 50cm - ø10 mm.	



Suspension	
white	22003112-00
Complete with steel wire (L = 100cm) and millimetre adjustment device. Max load: 20 kg.	



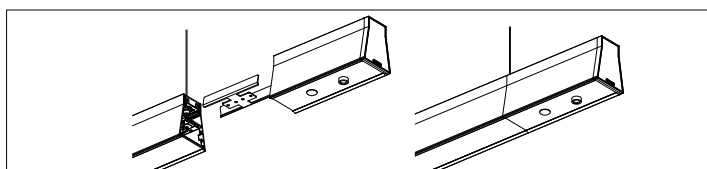
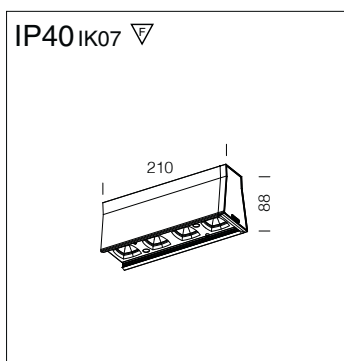
Suspension with wire	
white	22003118-00
Complete with steel wire (L = 100cm) and millimetre adjustment device. Max load: 20 kg.	



Sintesi Spot - UGR<22 - light module				
LED		CLD CELL	W	LUMEN OUTPUT (tq= 25 °C)
colour	code			K - ølm - CRI
LED	white	22011610-00	31	4000K - 4320lm - CRI 80

In extruded aluminium complete with connecting bracket. It allows the mechanical alignment of profiles. A lighting module complete with reflector in high-performance metallic V0 polycarbonate with micro faceting.

The **Sintesi Spot** extra modules can be easily installed with the supplied connecting bracket for perfect mechanical alignment of profiles, fully compatible with all versions of Sintesi System; therefore, they are ideal to create multiple compositions in continuous lines capable of meeting any lighting and design need.



Sintesi Sensor - light and/or presence detector	
colour	code
white	22011619-00

In extruded aluminium complete with connecting bracket. It allows the mechanical alignment of profiles. The module comes with the light and/or presence sensor for smart light management. To be installed only in DALI versions.

The **Sintesi Sensor** extra modules can be easily installed with the supplied connecting bracket for perfect mechanical alignment of profiles, fully compatible with all versions of Sintesi System; therefore, they are ideal to create multiple compositions in continuous lines capable of meeting any lighting and design need.



Strip LED: 24 V constant voltage strip. Ideal for various decorative lighting applications: facade accent lighting, ceiling integration, cove lighting and for aluminium extrusions.

Features and benefits :

- Luminous flux range of 600, 1200, 1800 lm/m
- Colour temperature 3000, 4000 and 6500 K
- High design freedom due to 10 cm cut-options
- Pitch distance of 1.4 cm enables high light homogeneity
- Self-adhesive 3M tape at the backside for simple mounting on different surfaces
- PCB to PCB and wire to PCB connectors for toolless handling and connection
- Life-time 50,000 hours
- System solution in combination with constant voltage LED Driver (fixed output and dimmable)
- **Connector not included**

Technical data

Beam characteristic	120°
Ambient temperature range	-35 ... +50 °C
tp rated / tc	65 °C / 75 °C
Supply voltage DC	24 V
Supply voltage range DC (1)	21,5 – 26,4 V
Insulation test voltage	0,5 kV
Risk group (EN 62471:2008)	0

(1) Exceeding the max. operating voltage leads to an overload on the Strip. This may in turn result in a significant reduction in life-time or even in destruction.



Description: Strips to be applied on smooth, clean and dry surfaces with 3M adhesive tape.

Avoid installation on sharp surfaces and pay attention not to damage components.

The product is supplied in 5-meter strips wrapped around support rolls, including a package containing connection accessories.

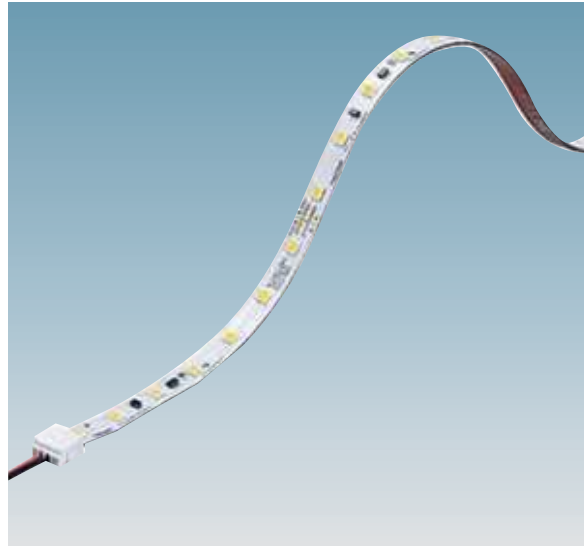
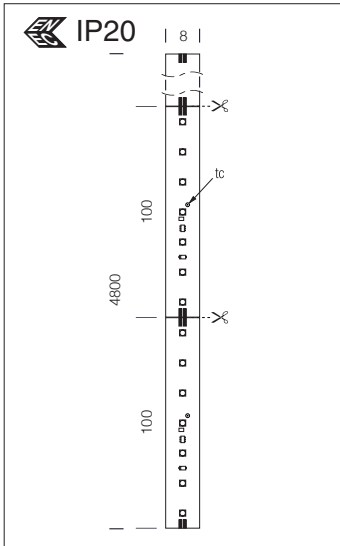
Strips can be cut at preset distances. For intermediate cuts, use the end caps included in the package and make sure that all cut ends are perfectly sealed.

Fosnova does not take responsibility for cuts made after the material has been delivered.

Connector not included.

**The colour temperatures of leds ranging from:
3000K - 4000K/4200K - 6500K**



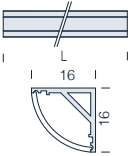


Luminous flux maintenance:		
80%	L80F50 (tp= 65 °C)	50.000h
90%	L90F50 (tp= 65 °C)	50.000h

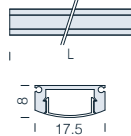
Luminous flux maintenance:		
70%	L70F50 (tp= 75 °C)	50.000h
80%	L80F50 (tp= 75 °C)	50.000h
90%	L90F50 (tp= 75 °C)	28.000h

Strip - LED 24V - CRI>80						
		CLD S+L				
wattage W/m	colour	tot. length	code	W/m	K - CRI - degrees	ølm/m
LED 4W	white	4,8 m	22485813-00	4	3000K - CRI>80 - 120°	600 lm/m
			22485814-00		4000K - CRI>80 - 120°	
			22485816-00		6500K - CRI>80 - 120°	
LED 8W	white	4,8 m	22485913-00	8	3000K - CRI>80 - 120°	1200 lm/m
			22485914-00		4000K - CRI>80 - 120°	
			22485916-00		6500K - CRI>80 - 120°	
LED 12W	white	4,8 m	22486013-00	12	3000K - CRI>80 - 120°	1800 lm/m
			22486014-00		4000K - CRI>80 - 120°	
			22486016-00		6500K - CRI>80 - 120°	

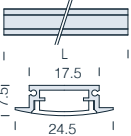
Range of profiles of different shapes used to house the LED strips, specifically designed to meet multiple lighting applications. Heat dissipation is guaranteed by the aluminium profiles, while the LED ensures maximum efficiency and lamp life; ideal for installation in false ceilings, floors, cupboards, glass cabinets and stairways. The profile can house adhesive LED Strips featured



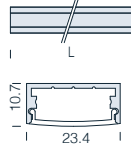
Profile A - angular ceiling		
colour	L mm	code
		S
opal	2000	22012210-00



Profile C - ceiling		
colour	L mm	code
		S
opal	2000	22012212-00



Profile B - recessed		
colour	L mm	code
		S
opal	2000	22012211-00



Profile D - ceiling		
colour	L mm	code
		S
opal	2000	22012213-00

Connector for connection of LED strip modules:

- Easy assembly: remove adhesive 3M tape on the backside of the LED Strip in the connection area, insert the LED Strip into the connector and lock it by pressing down the top of the connector.
- The insertion length of the LED Strip must be at least 4 mm (cut the LED Strip at the dotted lines).



Plug connector wire	
white	22028110-00

Connector with wire.

Power suppliers: choose the most suited ones



Corners connector	
150x9,8x5,7	22028210-00
60x9,8x5,7	22028211-00

To connect Strip-LED to corners.



Continuous line connector	
white	22028111-00

To connect Strip-LED in continuous line.

IP20 Driver - V in 100-277V 0/50/60Hz - V out 24V DC				
type	output energy power max (W)	weight (Kg)	size (mm) B - H - L	code
35W/24V	35W	0,23	40 - 21 - 220	22090235-00
60W/24V	60W	0,28	40 - 21 - 250	22090260-00

IP20 Driver DIMM DALI - V in 220-240V 0/50/60Hz - V out 24V DC				
type	output energy power max (W)	weight (Kg)	size (mm) B - H - L	code
35W/24V	35W	0,15	43 - 30 - 195	22090235-1241
60W/24V	60W	0,18	43 - 30 - 225	22090260-1241

IP20 Driver - V in 120-277V 0/50/60Hz - V out 24V DC				
type	output energy power max (W)	weight (Kg)	size (mm) B - H - L	code
96W/24V	96W	0,34	40 - 21 - 300	22090296-00
180W/24V	180W	0,85	64 - 31 - 280	22090218-00

IP20 Driver DIMM DALI - V in 220-240V 0/50/60Hz - V out 24V DC				
type	output energy power max (W)	weight (Kg)	size (mm) B - H - L	code
100W/24V	100W	0,26	43 - 30 - 295	22090210-12
150W/24V	150W	0,30	43 - 30 - 325	22090215-12

RECEPTION



Decorative Luminaires

Themis



p. 198

Slimcover



p. 204





Themis stands out for its simple design and high-quality lighting output delivered by latest generation LED sources. Studied to deliver direct lighting, it is equipped with a highly efficient reflector (adjustable) or with lenses to enhance the light beam. Designed to be easily installed inside ceilings thanks to its mounting bracket, it is capable of illuminating full and empty spaces, bringing out all the potential of architectural details and giving rhythm and colour to important interiors.

Housing: made of die-cast aluminium with clear polycarbonate diffuser.

Equipment: supplied with bracket for ceiling installation.

LED: Luminous flux maintenance 80%: **50.000 h (L80B20)**.

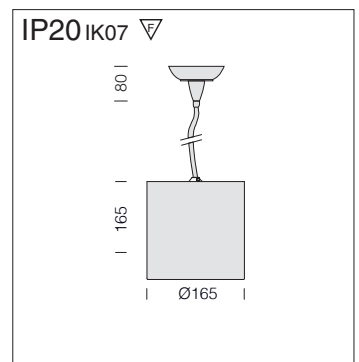
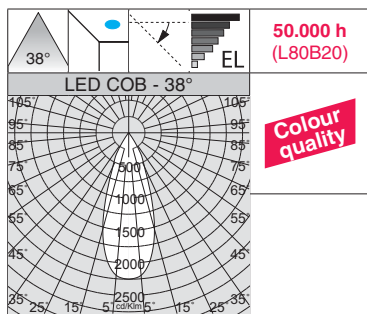
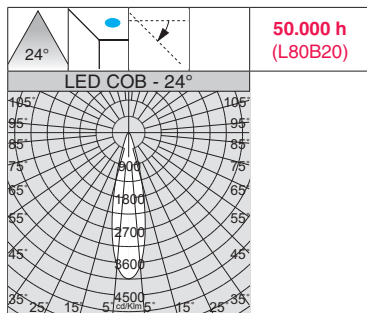
Power factor >0.9

Photobiological safety class: Exempt group.



The right lighting and fixture play a vital role in facilitating sales. This is the reason why LED fixtures with a **CRI>90** are being requested. Therefore, the current trend is geared towards the manufacturing of more flexible fixtures, which also emit an excellent quality of light, while guaranteeing remarkable energy savings and lower maintenance costs.

The Colour Rendering Index (**CRI**) indicates how truthfully the artificial light source is able to reproduce the colours of objects. It varies from a range of **0 to 100**, where **0 represents the minimum** and **100 is the maximum**. Daylight is the best source of light from a physiological point of view because it contains the full colour spectrum. Therefore, a lamp with a high colour rendering index is very important to ensure the wellbeing and comfort of the occupants of a room and it is absolutely necessary in rooms where good visibility is required.

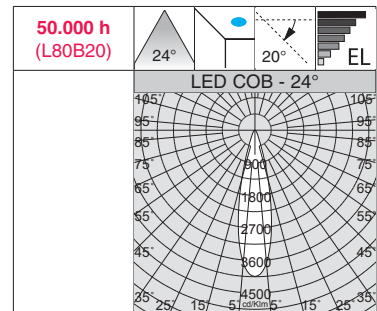
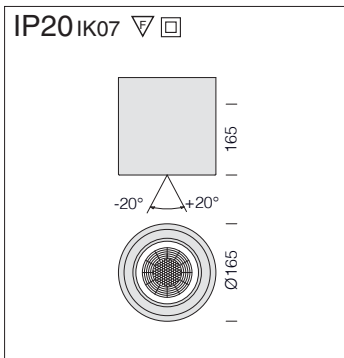


Themis L165 - suspension

		CLD CELL		CLD CELL-DIG (DALI)	LUMEN OUTPUT (tq= 25 °C)	
LED	colour	weight	code	code	W tot	K - ølm - CRI - degrees
COB	white	1,70	22071410-00	22071410-1241	24	3000K - 2442lm - CRI 85 - 24°
	grey		22071470-00	22071470-1241		
COB	white	1,70	22071410-68	22071410-6841	24	4000K - 2613lm - CRI 85 - 24°
	grey		22071470-68	22071470-6841		

Themis L165 - suspension with optic

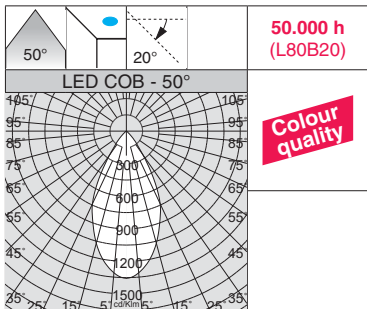
		CLD CELL		CLD CELL-DIG (DALI)	LUMEN OUTPUT (tq= 25 °C)	
LED	colour	weight	code	code	W tot	K - ølm - CRI - degrees
COB	white	1,30	22071610-00	22071610-1241	33	3000K - 2515lm - CRI>90 - 38°
	grey		22071670-00	22071670-1241		
COB	white	1,30	22071610-68	22071610-6841	33	4000K - 2691lm - CRI>90 - 38°
	grey		22071670-68	22071670-6841		



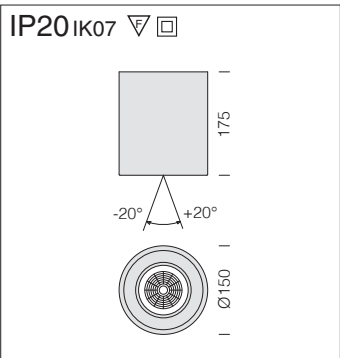
-
-
-
-
-
-
-
-
-
-

Themis L165 - adjustable with lens

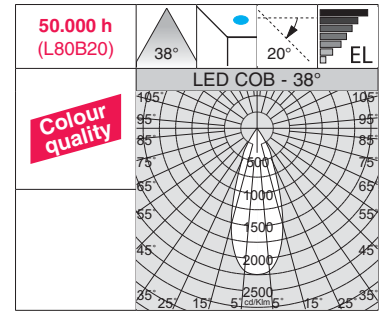
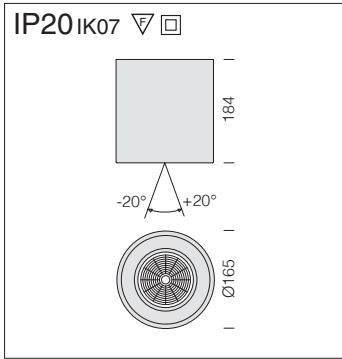
		CLD CELL		CLD CELL-DIG (DALI)	LUMEN OUTPUT (tq= 25 °C)	
LED	colour	weight	code	code	W tot	K - ølm - CRI - degrees
COB	white	1,70	22071310-00	22071310-1241	24	3000K - 2442lm - CRI 85 - 24°
	grey		22071370-00	22071370-1241		
COB	white	1,70	22071310-68	22071310-6841	24	4000K - 2613lm - CRI 85 - 24°
	grey		22071370-68	22071370-6841		



CRI>90



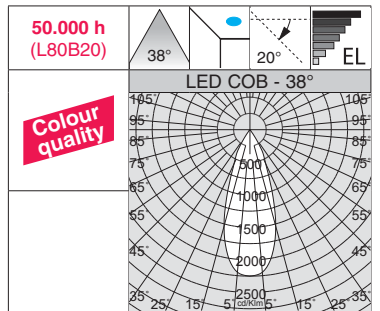
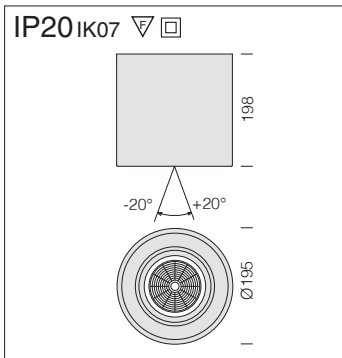
Themis R150 - adjustable with optic						
		CLD CELL		CLD CELL-DIG (DALI)	LUMEN OUTPUT (tq= 25 °C)	
LED	colour	weight	code	code	W tot	K - ølm - CRI - degrees
COB	white	0,90	22071010-00	22071010-1241	24	3000K - 1819lm - CRI>90 - 50°
	grey		22071070-00	22071070-1241		
COB	white	0,90	22071010-68	22071010-6841	24	4000K - 1946lm - CRI>90 - 50°
	grey		22071070-68	22071070-6841		



-
-
-
-
-
-
-
-
-

Themis R165 - adjustable with optic

		CLD CELL		CLD CELL-DIG (DALI)	LUMEN OUTPUT (tq= 25 °C)	
LED	colour	weight	code	code	W tot	K - ølm - CRI - degrees
COB	white	1,30	22071110-00	22071110-1241	33	3000K - 2515lm - CRI>90 - 38°
	grey		22071170-00	22071170-1241		
COB	white	1,30	22071110-68	22071110-6841	33	4000K - 2691lm - CRI>90 - 38°
	grey		22071170-68	22071170-6841		



-
-
-
-
-
-
-
-
-
-

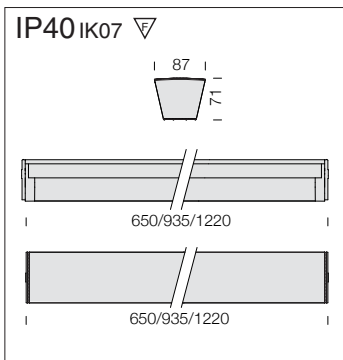
Themis R195 - adjustable with optic

		CLD CELL		CLD CELL-DIG (DALI)	LUMEN OUTPUT (tq= 25 °C)	
LED	colour	weight	code	code	W tot	K - ølm - CRI - degrees
COB	white	1,70	22071210-00	22071210-1241	44	3000K - 3424lm - CRI>90 - 38°
	grey		22071270-00	22071270-1241		
COB	white	1,70	22071210-68	22071210-6841	44	4000K - 3664lm - CRI>90 - 38°
	grey		22071270-68	22071270-6841		





On request: colored versions.



50.000 h (L80B20)



Simple shape, precious materials. Single lighting fixture. Suitable for installation in villas or luxury offices.

Housing: Extruded aluminium
LED: Luminous flux maintenance 80%: **50.000 h (L80B20)**.
 Power factor >0.95

Slimcover White

		CLD CELL (ON-OFF)	CLD CELLD-DIG (DALI)	CLD CELL-E (1h)	CLD CELL-E (3h)		LUMEN OUTPUT (tq= 25 °C)
LED	colour	code	code	code	code	W tot	K - ølm (700mA) - CRI
4 modules	white	22183710-00	22183710-1241			27	3000K - 1856lm - CRI 80
		22183710-68	22183710-6841				4000K - 1986lm - CRI 80
6 modules	white	22183810-00	22183810-1241			41	3000K - 2784lm - CRI 80
		22183810-68	22183810-6841				4000K - 2979lm - CRI 80
8 modules	white	22183910-00	22183910-1241	22183910-09	22183910-31	55	3000K - 3713lm - CRI 80
		22183910-68	22183910-6841	22183910-6809	22183910-3113		4000K - 3973lm - CRI 80

- 1- This catalogue supersedes and cancels all previous editions.
- 2- All list prices are VAT excluded and already include WEEE contribution. However, prices are not binding and the company will inform you on any variation.
- 3- Goods travel at the customer's risk, including in the case of possible breakages, even if shipped carriage free. No complaints will be accepted after 8 days from receipt.
- 4- Orders will be dealt with according to availability; partial shipments may also be sent out.
- 5- The characteristics of the articles, the LEDs used and the lighting design calculations may be subject to change without notice and with no obligation of notification, in accordance with our manufacturing requirements and in order to finalise the lighting fixture.
- 6- Transportation costs, with the exception of delivery by our vehicles, are at the customer's expense.
- 7- Returned goods will not be accepted. In any case, returned goods must be authorised by our company and will be accepted carriage free if the material is in a good state of conservation and can therefore be used. (Ask for the current year's circular).
- 8- We recommend that plastic components, especially those designed for suspension luminaires, be checked at least every time the bulb is changed.
- 9- Only payments made directly to our address or to persons authorised by our company, will be accepted.
- 10- Reproduction, even in part, of the descriptions and illustrations in our catalogue is prohibited.
- 11- The place of jurisdiction for any legal disputes arising from or related to these General Sales Conditions shall be Milan.
- 12- Fosnova guarantees that the products it manufactures are free of defects, in accordance with art. 1490 and subsequent articles of the Italian Civil Code.

QUANTITIES SHALL BE HANDLED ONLY IN PACKAGES OR RELEVANT MULTIPLES

SURCHARGE OF 10% FOR ACCESSORIES NOT HANDLED IN PACKAGES

**DIMENSIONS ARE GIVEN IN MM, UNLESS OTHERWISE INDICATED.
FOR VERSIONS WITH ELECTRONIC WIRING AND EMERGENCY UNIT, THE MEASUREMENTS OF THE MODULE DO NOT VARY,
EXCEPT OTHERWISE INDICATED**

PHOTOMETRIC DATA, POWER EFFICIENCY AND LUMINAIRE DESIGN INFORMATION MAY BE SUBJECT TO VARIATIONS AND IMPROVEMENTS. BASED ON THE SPEED OF TECHNOLOGICAL EVOLUTION AFFECTING THESE PRODUCTS. THE COLOUR TEMPERATURES OF LEDS FALL WITHIN ACCEPTED INDUSTRY TOLERANCES DEFINED BY LED MANUFACTURERS, WE WILL GIVE NOTICE OF THESE CHANGES ON OUR WEBSITES FROM TIME TO TIME.

SOME IMAGES ARE SIMULATED APPLICATION AND / OR PHOTOMONTAGES

OUTPUT LUMINOUS FLUX AND POWER (tq): THE REPORTED LUMINOUS FLUX IS THE FLUX EMITTED BY THE LIGHT SOURCE WITH A TOLERANCE OF \pm 10% COMPARED TO THE INDICATED VALUE. THE W TOT COLUMN (EXCEPT FOR THE EMERGENCY VERSIONS, OF WHICH VALUES ARE TO BE PROVIDED UPON REQUEST) INDICATES THE TOTAL WATTAGE ABSORBED BY THE SYSTEM WITHOUT EXCEEDING 10% OF THE INDICATED VALUE.

NOMINAL LUMINOUS FLUX AND POWER (ta): LUMINOUS FLUX AND POWER VALUES ARE NOMINAL. THE FLUX MAY HAVE A TOLERANCE OF \pm 10% WITH REFERENCE TO THE INDICATED VALUE. THE W COLUMN INDICATES THE LED'S POWER WATTAGE.

ALWAYS STAY WITHIN THE RECOMMENDED OPERATING TEMPERATURES OF THE DEVICE.

DISANO GROUP IN THE WORLD

DISANO ILLUMINAZIONE s.p.a.

v.le Lombardia, 129 - 20089 Rozzano - MI (Italy)
Tel. +39 02 824771
Email: info@disano.it
www.disano.it

FOSNOVA

via Como, 9 - 20089 Rozzano - MI (Italy)
Tel. +39 02 824771
Email: info@fosnova.it
www.fosnova.it

ILUMINACIÓN DISANO S.A.

Poligono Industrial L'Avenar,
C/ de la Llum, n°2
43883 Roda de Barà, Tarragona
Tel. +34 977 55 88 90
www.disano.es

DISANO ILLUMINAZIONE FRANCE S.A.

Parc d'activité de la Caille,
1443 Route de l'Arny
74350 Allonzier la Caille
Tel. +33 4 50 33 08 10
Email: commercial@disano.fr
www.disano.fr

DISANO ILLUMINAZIONE PORTUGAL

Julio Guedes
Head of Representative Office
Rua de Chunha Júnior, 41B - sala 2.1
4250-186 Porto
Mob. +351 919 318 510
Email: julio.guedes@disano.pt

DISANO ILLUMINAZIONE UK

Andy Bird
Head of Representative Office
Mob. +44 7391 129393
Email: andy.bird@disano.co.uk

DISANO ILLUMINAZIONE IRELAND

John Walsh
Head of Representative Office
Mob. +353 87 2236251
Email: john.walsh@disano.ie

DISANO ILLUMINAZIONE POLSKA

Paolo Nicoletti
Head of Representative Office
Mob. +48 506 822 198
Email: p.nicoletti@disano.pl

DISANO ILLUMINAZIONE CZECH REPUBLIC AND SLOVAKIA

Martin Bukovsky
Head of Representative Office
Mob. +420 602 515 329
Email: martin.bukovsky@disanogroup.cz

DISANO ILLUMINAZIONE ADRIA

(SLOVENIA, CROAZIA, SERBIA,
MONTENEGRO, BOSNIA, KOSOVO)
Uros Kovac
Head of Representative Office
Mob. +386 4 152 44 18
Email: uros.kovac@disano.si

DISANO ILLUMINAZIONE RUSSIA

Marina Vasilyeva
Head of Representative Office
Mob. +7 985 179 61 48
Email: marina.vasilyeva@disanogroup.ru

DISANO ILLUMINAZIONE MIDDLE EAST

Malek Abou Abdo
Head of Representative Office
Office n.1001,10Th Floor
Dusseldorf Business Point,
Al Barsha 1 – DUBAI
Tel. +971 4 4329504
Email: info.dubai@disano.ae

DISANO ILLUMINAZIONE INDIA

Vinit Sharma
Head of Representative Office
701, 7th Level, Wave Silver Tower
Sector 18, Noida, U.P., India
Pin : 201301
Mob. +91 98739 35351
Email: vinit.sharma@disano.in

DISANO ILLUMINAZIONE AFRICA

Mohamed Benchekroun
Head of the Liaison Office Africa
Mob. +212.661 31 35 32
Email: mohamed.benchekroun@disano.ma

DISANO ILLUMINAZIONE LATAM

Raul Rivera
Representative office latin america
Mob. +34 628 620 722
Email: raul.rivera@disano.es

EUAUSTRIA

MOLTO LUCE GmbH
Europastrasse 45
4600 Wels
Tel: +43 72426980
Email: office@moltoluce.at

MOLTO LUCE GmbH

Vorarlberger Allee 28
1230 Vienna
Tel: +43 16160300
Email: office.wien@moltoluce.com

BELGIUM**ELC LIGHTING b.v.b.a.**

Stenehei 30/14
2480 Dessel
Tel: +32 14704251
Email: info@elc-lighting.be

CYPRUS**DRAKOS LIGHTING LTD**

6A Neas Engomis Str.
2409 Nicosia
Tel: +357 22766100
Email:
c.drakos@drakoslighting.com.cy

GREECE**GRAVANI BROS S.A.**

20 Nap Zerva Street
54640 Thessaloniki
Tel: +30 2310845170
Email: info@gravani.gr

GRAVANI BROS S.A.

118b, Kifisias Avenue
11526 Athens
Tel: +30 2106917363
Email: info@gravani.gr

IRELAND**M. KELLIHER (1998) LTD**

Ballymullen, Tralee, Co Kerry
Tel: +353 667145300
Email:
bernadette.mcdonnell@gexpro.com

LITHUANIA**UAB ARDENA**

Vytenio Str.20
03229 Vilnius
Tel: +370 52139544
Email: valerijus.marsevskis@ardena.lt

NETHERLANDS**ATTIVA LICHTPROJECTEN**

Neckar 12
02491 BD Den Haag
Tel: +31 703172700
Email: info@attiva.nl

UNITED KINGDOM**PRINCIPAL LIGHTING LTD**

21 West Moor Park
Yorkshire Way Armthorpe
Doncaster
Tel: +44 1302 762160
Email: commercial@lighting.co.uk

CROATIA

TELEKTRA D.O.O.
Industrijska cesta 15
10360 Sesvete
Tel: +385 12050666
Email: Telektra@zg.t-com.hr

POLAND

JANEX-ELEKTRO J. i J.
Mieszczak sp. j.
ul. Chocianowska 20E
59-300 Lubin
Tel: +48 76 746 49 60
Email: janex@janex.pl

TECHNOLIGHT

Biuro Techniczno - Handlowe
Ul. Czarnieckiego 32
42-218 Czestochowa
Tel. +48 34 361 33 29
Email: biuro@technolight.pl

EUROPEALBANIA

A.BI.ESSE SH.P.K
Rr. 28 Nentori, 73
1051, Kashar, Tirane
Tel: +355 42 407 290
E-mail: info@abiesse.al

BIELORUSSIA

OST - ARDENA
Olshevskogo Str., 11-4
Minsk
Tel: +375 172050697
Email: info@ostardena.by

ICELAND**S. GUDJONSSON ehf.**

Smiojuvegur 3 –
200 510172-0199 Kopavogur
Tel: +354 3545204500
Email: sg@sg.is

SWITZERLAND**FRAUCHIGER AG**

Beleuchtungstechnik
Mühletalstrasse 18, CH-3110
Münsingen
Tel: +41 317201616
Email: info@fram-licht.ch

MACEDONIA**BLAKOM**

Vostanicka - 45
1000 - Skopje
Tel: +389 22465033
Email: blakom@t.mk

AFRICAMOROCCO

EUROLUX S.A.
69, Bd de la Corniche - Ain Diab
20180 Casablanca
Tel: +212 522799500
Email: eurolux@eurolux.co.ma

SUDAN

ALGAFARI FOR INTEGRATED
P.O.BOX 7140,
Khartoum
Email: h.hamid@gjssd.com

ASIAISRAEL**CHAGI****Marketing of Electrical Products LTD**

P.O. Box 12112
Industrial Area
Emek-Heffer 3877701
Tel: +972 46220235
Email: chagisrv@netvision.net.il

OCEANIAAUSTRALIA**GERARD LIGHTING Pty LTD**

96-112 Gow Street,
2211 Padstow N.S.W.
Tel: 0061 02.97949345
Email: sales@gerardlighting.com.au

NEW ZEALAND**SUN LIGHTING HOLOPHANE LTD**

35C Maurice Road Penrose,
Auckland 1061
Tel: +64-4-9703213
Email: murray@lighting.co.nz

Distributed by



www.salcommercial.net.au
sales@salcommercial.net.au

CONTACT DETAILS**NSW/ACT**

☎ 02 9723 3099
📧 sales@salcommercial.net.au

QLD

☎ 07 3879 5999
📧 sales@salcommercial.net.au

VIC/TAS/SA/NT

☎ 03 9532 3168
📧 sales@salcommercial.net.au

© Copyright SAL Commercial - All Rights Reserved

